

# HSF

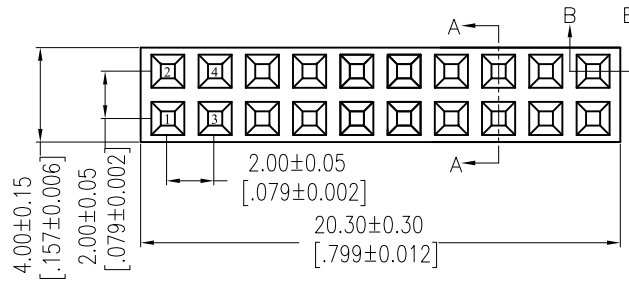
NOTES:  
 Current Rating: 2.0AMP  
 Contact Resistance: 20mΩ Max  
 Withstand Voltage: 500V AC/DC  
 Insulation Resistance: 1000MΩ Min  
 Operation Temperature: -40°C to +105°C

Contact Material: Phosphor Bronze  
 Contact plating: Au over Ni  
 Insulator Material: LCP+30%G.F UL94V-0

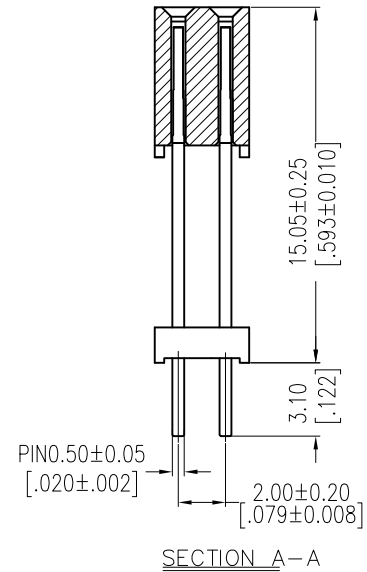
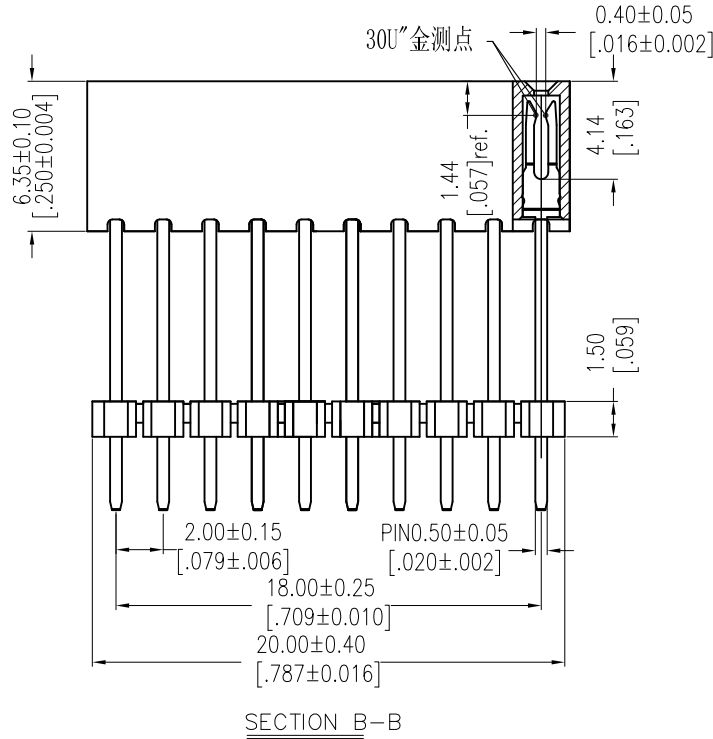
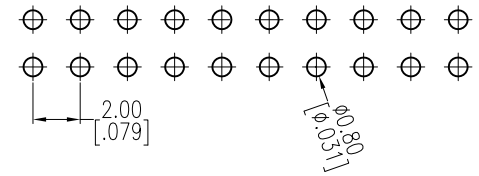
## Ordering Information

2263DN1 - 2 10 S S5 DYN T 5

No. of Pins per ROW: 10PIN  
 Contact Plating: S5=30μ"Gold/Tin  
 Insulator: D=LCP  
 Packing: T=Tube



Recommended P.C.B Layout (Top Side)  
 (PCB BOARD TOLERANCE ±0.05)



REV	DATE	MODIFICATION DESCRIPTION	CHANGE	OPERATION	DRAW	DATE	SCALE	FIT	PART NO.
AO	2018/01/05	NEW	-----	x.X ±0.40	Surong Xu	2018/01/05	UNIT	mm	2263DN1-210SS5DYNT5
				x.XX ±0.25	CHECK	DATE	SIZE	A4	TITLE:
				x.XXX ±0.15	APPROVE	DATE	SHEET	1/1	FH2.00mm 2*10P 180° DIP ADD HSG H=6.35+1.5=15.05 DIP=3.1
				Angle ± 3'			PROJ.	⌀	Customer NO. K6008
				DIM TOL					

# WCON

Http: www.wcon.com

WCON-Dongguan Tel: +86 769 85358920  
 Fax: +86 769 85358915  
 E-mail: sales@wcon.com

WCON-Kunshan Tel: +86 512 57468408  
 Fax: +86 512 57468468  
 E-mail: salesks@wcon.com