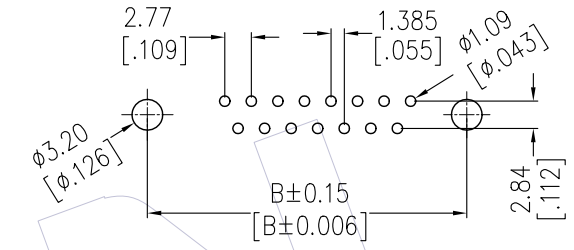
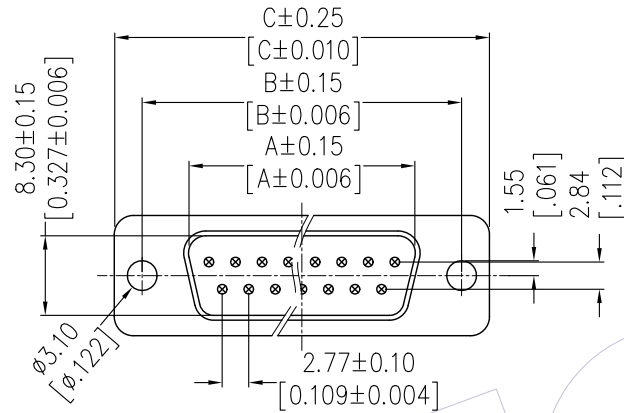


HSF

NOTES:
 Current Rating: 3.0AMP
 Contact Resistance: 20mΩ Max
 Withstand Voltage: 500V AC/DC
 Insulation Resistance: 1000MΩ Min
 Operation Temperature: -55°C to +105°C

Contact Material: Phosphor Bronze/Brass
 Contact plating: Au Or Sn over Ni
 Insulator Material: PBT+30%G.F UL94V-0
 Sheel: Cold Roller Steel, Ni Or Sn Plated
 Nut: Brass, Sn Over Ni Plated

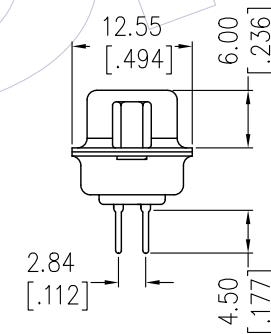
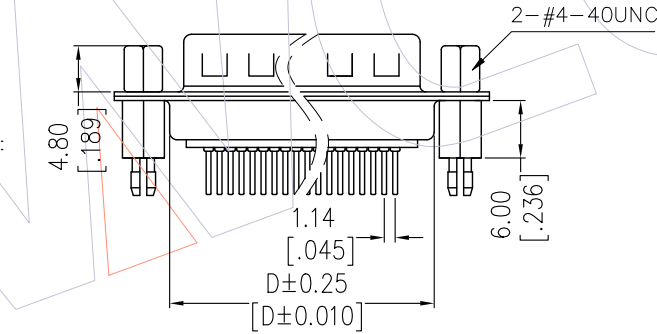
Recommended P.C.B Layout (Top Side)
 (PCB BOARD TOLERANCE ±0.05)




Ordering Information

6222- XX MH XX B 01

No. of Pins:	Type:	Contact Plating:	Insulator Color:
9P	H: With Front Nut	G0=Gold Flash	W= White
15P	With Back Fork	G1=3u"Gold	B= Black
25P		G2=5u"Gold	U= Blue
37P		G3=10u"Gold	
		G4=15u"Gold	
		G5=30u"Gold	
		S0=Gold Flash/Tin	
		S1=3u"Gold/Tin	
		S2=5u"Gold/Tin	
		S3=10u"Gold/Tin	
		S4=15u"Gold/Tin	
		S5=30u"Gold/Tin	
		SN= Tin	



PIN	DIM "A"	DIM "B"	DIM "C"	DIM "D"
09	16.92 [0.666]	24.99 [0.984]	30.81 [1.213]	19.28 [0.759]
15	25.25 [0.994]	33.32 [1.312]	39.14 [1.541]	27.70 [1.091]
25	38.96 [1.534]	47.04 [1.852]	53.10 [2.091]	41.10 [1.618]
37	55.42 [2.182]	63.50 [2.500]	69.32 [2.729]	57.30 [2.256]

				OPERATION	DRAW	DATE	SCALE	FIT	PART NO.	 Http: www.wcon.com WCON-Dongguan Tel: +86 769 85358920 WCON-Kunshan Tel: +86 512 57468408 Fax: +86 769 85358915 Fax: +86 512 57468468 E-mail: sales@wcon.com E-mail: salesks@wcon.com
				x.x ±0.40	Ding	2018/08/04	UNIT	mm	6222-XXMHXXX01	
				x.xx ±0.25	CHECK	DATE	SIZE	A4	TITLE:	
				x.xxx ±0.15	APPROVE	DATE	SHEET	1/1	D-SUB MALE DUAL ROW 180° DIP	
AO	2018/08/04	NEW	-----	Angle ± 3°			PROJ.	Customer NO.		
REV	DATE	MODIFICATION DESCRIPTION	CHANGE	DIM	TOL					