

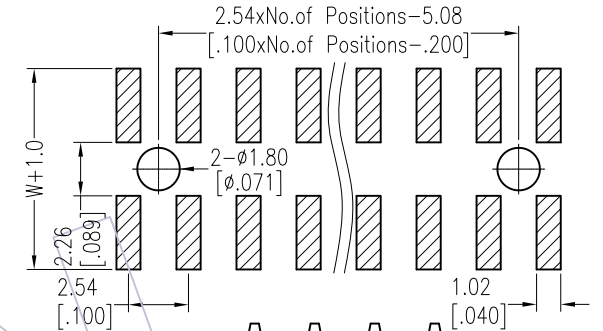
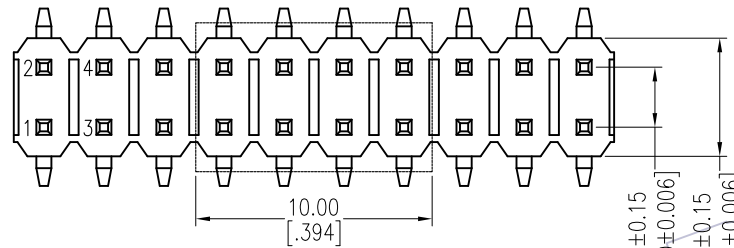
HSF

NOTES:

Rated Current:3.0AMP.
 Contact Resistance:20mΩ Max.
 Withstand Voltage:1000V AC/DC
 Insulation Resistance:1000MΩ Min.
 Operation Temperature:-40°C to +105°C

Contact Material:Brass
 Contact Plating:Au or Sn Over Ni
 Insulator Material:PA9T+33%G.F UL94V-0 BK

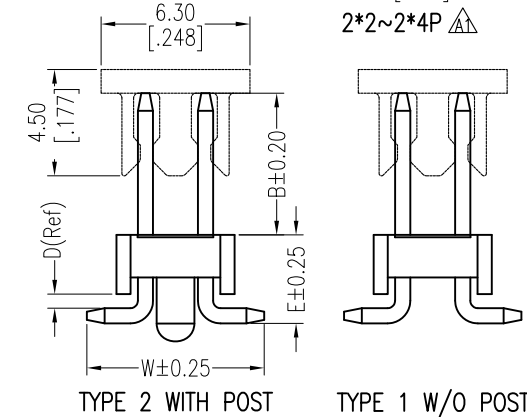
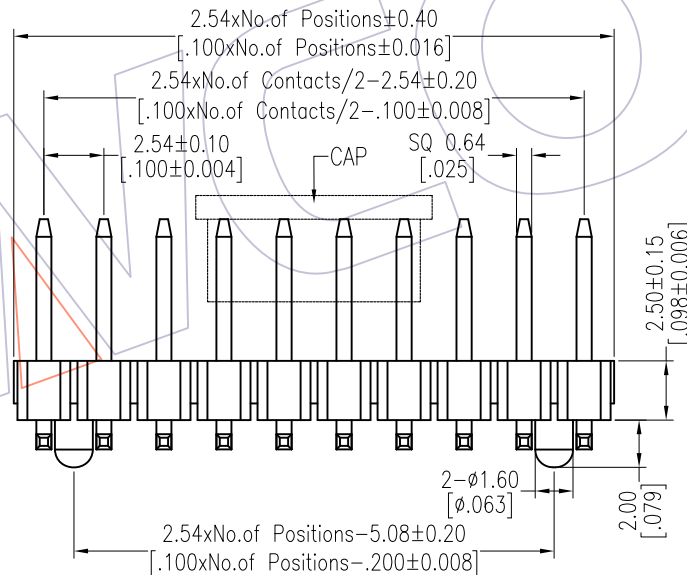
Recommended P.C.B Layout (Top Side)
 (PCB BOARD TOLERANCE±0.05)



Ordering Information

1125-12 XX XX M XXX C R XX

No. of Pins Per Row:02~40	Contact Plating	Pin Length L=B+D+2.5+ $\frac{W-2.54}{2}$	Insulator Material C=PA9T	Packing T=Tube P=Tube+CAP R=Tape & Reel+CAP	Series No. 01~99
G0=Gold Flash	Standard:082=8.2				
G3=10u"Gold	102=10.2				
G4=15u"Gold	111=11.1				
G5=30u"Gold	115=11.5				
S0=Gold Flash/Tin	136=13.6				
S3=10u"Gold/Tin					
S4=15u"Gold/Tin					
S5=30u"Gold/Tin					
SN=Tin					
SM=Matte Tin					



Item	Pin Length	W	E	B	Mating
Standard	8.20	7.50	3.34	3.00	2135
	10.20	7.50	3.34	5.00	2150
	11.10	7.50	3.34	5.90	2171 2185
	11.60	7.50	3.74	6.00	2171 2185
	13.60	7.50	3.74		
Alternate	13.60	7.50	3.74	8.00	1125-1204G1M136R1

REV	DATE	MODIFICATION DESCRIPTION	CHANGE	OPERATION	DRAW	DATE	SCALE	Fit	PART NO.
A2	2018/01/22	Modify P/N		X.X ±0.40	Ruipeng	2018/01/22	UNIT	mm	1125-12XXXXMXXXCXXX
A1	2012/10/31	Modify Drawing	-----	X.XX ±0.25	CHECK	DATE	SIZE	A4	TITLE:
A0	2012/05/28	NEW	-----	X.XXX ±0.15	APPROVE	DATE	SHEET	1/1	PH2.54 DUAL ROW SMT H=2.5
				Angle ± 3'			PROJ.		Customer NO.
				DIM TOL					

WCON
 Http: www.wcon.com

WCON-Dongguan
 Tel: +86 769 85358920
 Fax: +86 769 85358915
 E-mail: sales@wcon.com

WCON-Kunshan
 Tel: +86 512 57468408
 Fax: +86 512 57468468
 E-mail: sales@wcon.com