

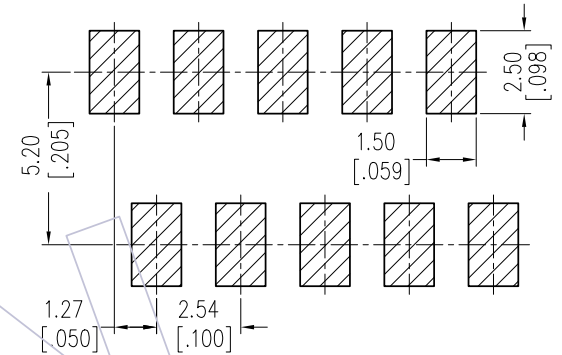
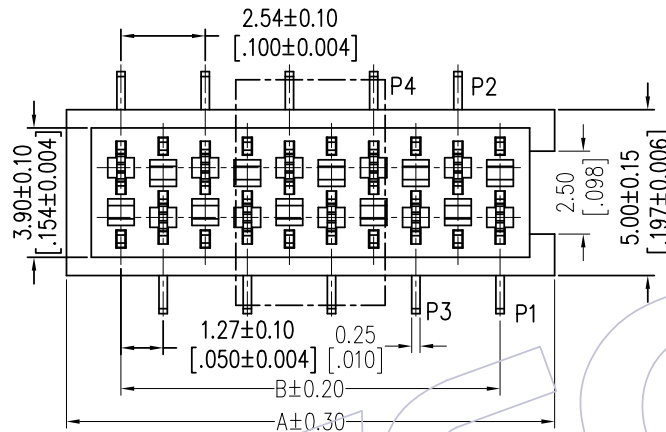
HSF

NOTES:

Current Rating: 1.0AMP
 Contact Resistance: 20mΩ Max
 Withstand Voltage: 500V AC/DC
 Insulation Resistance: 1000MΩ Min
 Operation Temperature: -40°C to +105°C

Contact Material: Phosphor Bronze
 Contact plating: Sn Over Ni
 Insulator Material: PA46+30%G.F UL94V-0

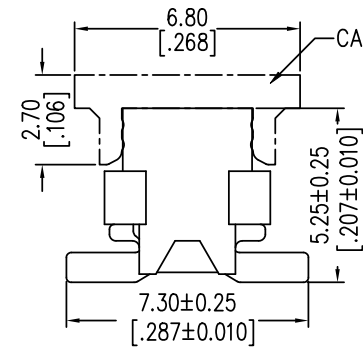
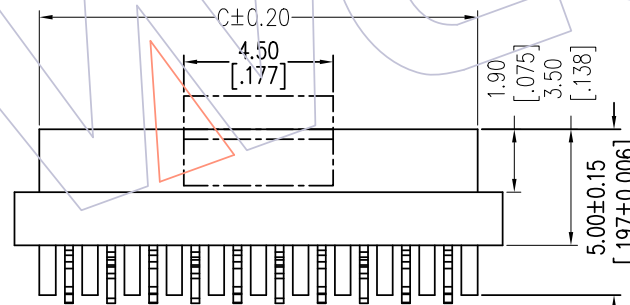
Recommended P.C.B Layout (Top Side)
 (PCB BOARD TOLERANCE ±0.05)



Ordering Information

3900-XX FM SN E N T 01

No. of Pins: 04P 12P, 06P 14P, 08P 16P, 10P 18P, 20P
 Contact Plating: SN=Tin
 Insulator Material: E=PA46
 Packing: T=Tube, P=Tube+CAP, R=Tape&Reel+CAP



| Circuit | Part No. | Dimension | | | Q'ty /Tube |
|---------|------------------|-----------|-------|-------|------------|
| | | A | B | C | |
| 04 | 3900-04FMSNENX01 | 7.00 | 3.81 | 5.60 | 82 |
| 06 | 3900-06FMSNENX01 | 9.54 | 6.35 | 8.14 | 60 |
| 08 | 3900-08FMSNENX01 | 12.08 | 8.89 | 10.68 | 48 |
| 10 | 3900-10FMSNENX01 | 14.62 | 11.43 | 13.22 | 39 |
| 12 | 3900-12FMSNENX01 | 17.16 | 13.97 | 15.76 | 33 |
| 14 | 3900-14FMSNENX01 | 19.70 | 16.51 | 18.30 | 29 |
| 16 | 3900-16FMSNENX01 | 22.24 | 19.05 | 20.84 | 26 |
| 18 | 3900-18FMSNENX01 | 24.78 | 21.59 | 23.38 | 23 |
| 20 | 3900-20FMSNENX01 | 27.32 | 24.13 | 25.92 | 21 |

| REV | DATE | MODIFICATION DESCRIPTION | CHANGE | OPERATION | DRAW | DATE | SCALE | FIT | PART NO. |
|-----|------------|----------------------------------|--------|-------------|---------|------------|-------|--------------|-----------------------------|
| A2 | 2018/05/15 | MINI MATCH--1.27mm MRC Connector | △A | x.x ±0.40 | Ding | 2018/05/15 | UNIT | mm | SEE TAB |
| A1 | 2014/05/28 | MICRO MATCH--MINI MATCH | △A | x.xx ±0.25 | CHECK | DATE | SIZE | A4 | TITLE: |
| A0 | 2012/10/11 | NEW | ----- | x.xxx ±0.15 | APPROVE | DATE | SHEET | 1/1 | 1.27mm MRC Connector Socket |
| | | | | Angle ± 3' | | | PROJ. | Customer NO. | 180° SMT Without Latch |
| | | | | DIM TOL | | | | | |

WCON
 Http: www.wcon.com

WCON-Dongguan
 Tel: +86 769 85358920
 Fax: +86 769 85358915
 E-mail: sales@wcon.com

WCON-Kunshan
 Tel: +86 512 57468408
 Fax: +86 512 57468468
 E-mail: salesks@wcon.com