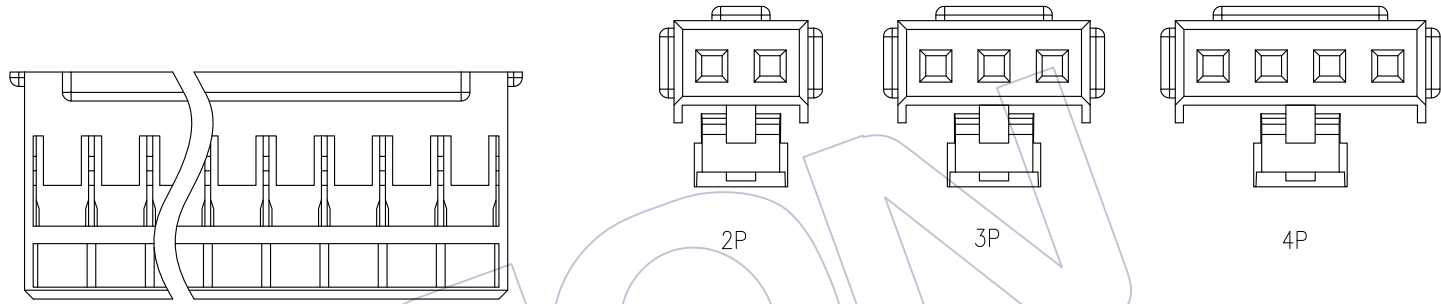


HSF

NOTES:
 Rated Current:2A
 Rated Voltage:250V AC/DC
 Contact Resistance:20mΩ max
 Withstand Voltage:800V AC/Minute
 Insulation Resistance:1000MΩ min
 Operation Temperature:-25℃ to+85℃
 Material:PA66 UL94V-0
 Use with:WF2005-T
 Mated With:WF2005-Wafer



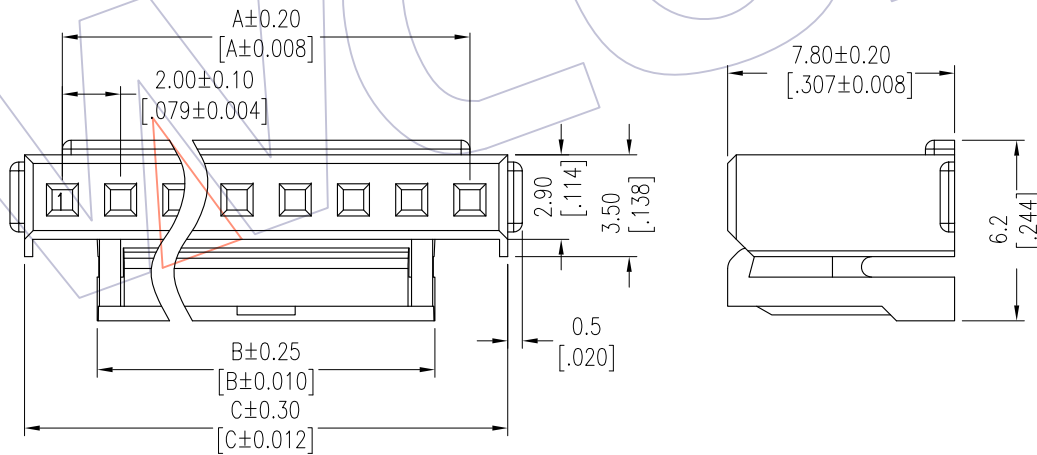
Ordering Information

WF2005 - H **XX** **X** 0 1

No. of pins
02P~15P

Color
E=Beige
W=White
B=Black
N=Brown

Packing
0=PE Bag



Specification & Ordering Information:

Circuit	Part No.	Dimension		
		A	B	C
02	WF2005-H02X01	2.00	3.20	4.60
03	WF2005-H03X01	4.00	3.20	6.60
04	WF2005-H04X01	6.00	3.20	8.60
05	WF2005-H05X01	8.00	5.60	10.60
06	WF2005-H06X01	10.00	7.60	12.60
07	WF2005-H07X01	12.00	9.60	14.60
08	WF2005-H08X01	14.00	11.60	16.60
09	WF2005-H09X01	16.00	13.60	18.60
10	WF2005-H10X01	18.00	15.60	20.60
11	WF2005-H11X01	20.00	17.60	22.60
12	WF2005-H12X01	22.00	19.60	24.60
13	WF2005-H13X01	24.00	21.60	26.60
14	WF2005-H14X01	26.00	23.60	28.60
15	WF2005-H15X01	28.00	25.60	30.60

REV	DATE	MODIFICATION DESCRIPTION	CHANGE	OPERATION	DRAW	DATE	SCALE	FIT	PART NO.
A0	2012/09/05	NEW		X.X ±0.40	JYHuang	2012/09/05	UNIT	mm	SEE TAB
				X.XX ±0.25	CHECK	DATE	SIZE	A4	TITLE:
				X.XXX ±0.15	APPROVE	DATE	SHEET	1/1	YH2.00 HOUSING
				Angle ± 3'			PROJ.	⌀	Customer NO.
				DIM TOL					

WCON

Http: www.wcon.com

WCON-Dongguan
 Tel: +86 769 85358920
 Fax: +86 769 85358915
 E-mail: sales@wcon.com

WCON-Kunshan
 Tel: +86 512 57468408
 Fax: +86 512 57468468
 E-mail: salesks@wcon.com