

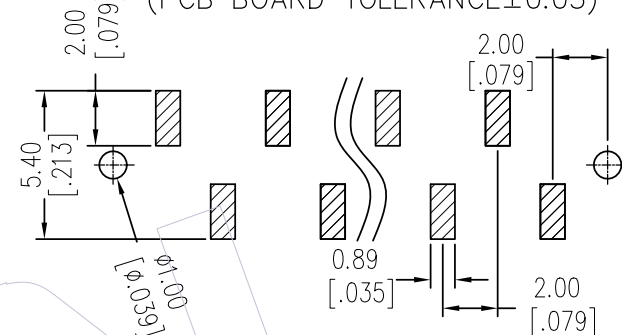
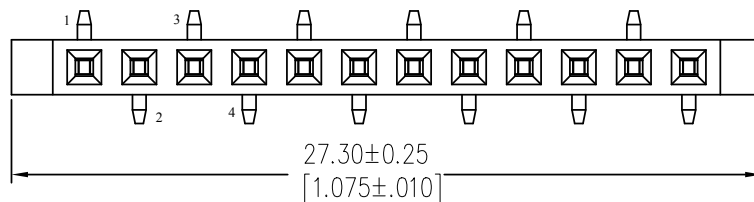
HSF

NOTES:

Current Rating: 2.0AMP
 Contact Resistance: 20mΩ Max
 Withstand Voltage: 500V AC/DC
 Insulation Resistance: 1000MΩ Min
 Operation Temperature: -40℃ to +105℃

Contact Material: Phosphor Bronze
 Contact plating: Au over Ni
 Insulator Material: PA9T+33%GF UL94V-0

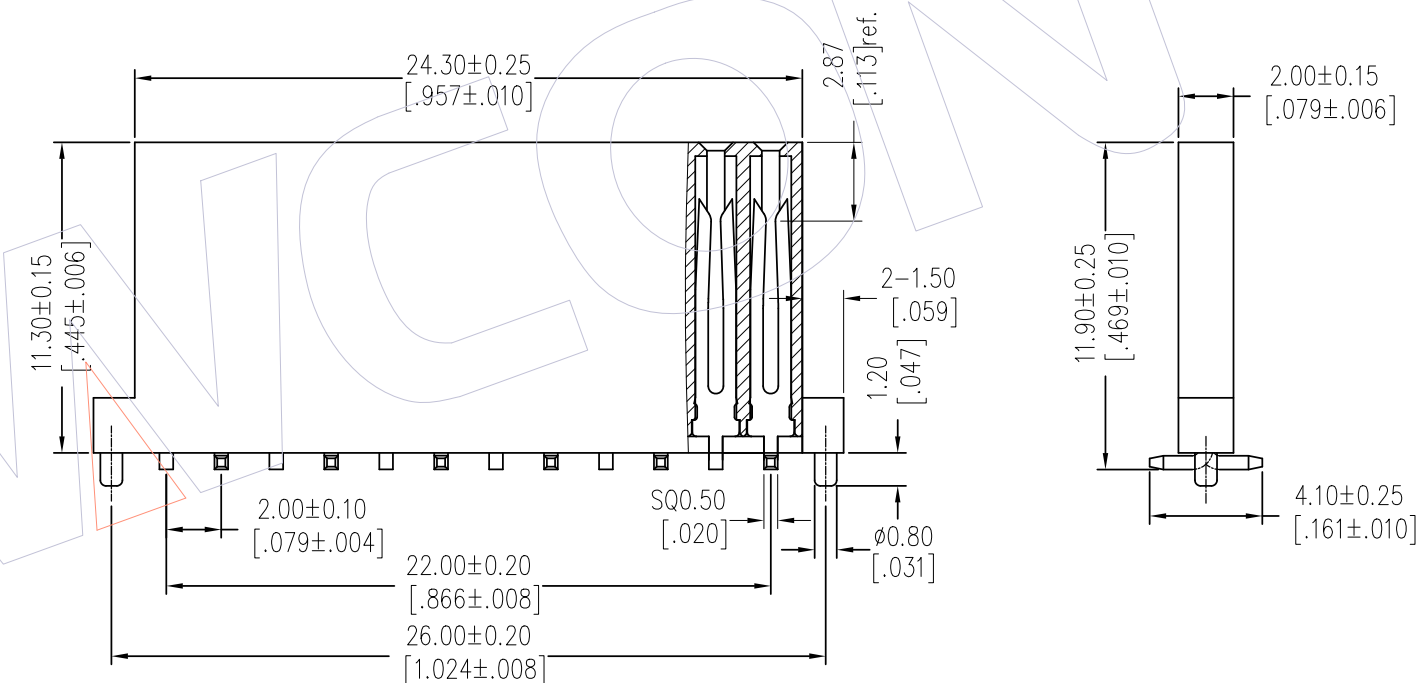
Recommended P.C.B Layout(Top Side)
 (PCB BOARD TOLERANCE±0.05)



Ordering Information

2211 - 1 12 M G0 C Y N R 4

No. of Pins per ROW: 12PIN
 Contact Plating: G0=Gold Flash
 Packing: R=Tape&Reel



				OPERATION		DRAW		DATE		SCALE		FIT		PART NO.		 Http: www.wcon.com WCON-Dongguan WCON-Kunshan Tel: +86 769 85358920 Tel: +86 512 57468408 Fax: +86 769 85358915 Fax: +86 512 57468468 E-mail: sales@wcon.com E-mail: sales@wcon.com	
				X.X	±0.40	Surong Xu		2018/12/03		UNIT		mm		2211-112MG0CYNR4			
				X.XX	±0.25	CHECK		DATE		SIZE		A4		TITLE:			
				X.XXX	±0.15	APPROVE		DATE		SHEET		1/1		FH2.00mm 1*12P SMT H=11.3			
A0	2018/12/03	NEW		-----	Angle	± 3'					PROJ.		Customer NO.		G1IT007		
REV	DATE	MODIFICATION DESCRIPTION		CHANGE	DIM	TOL											