

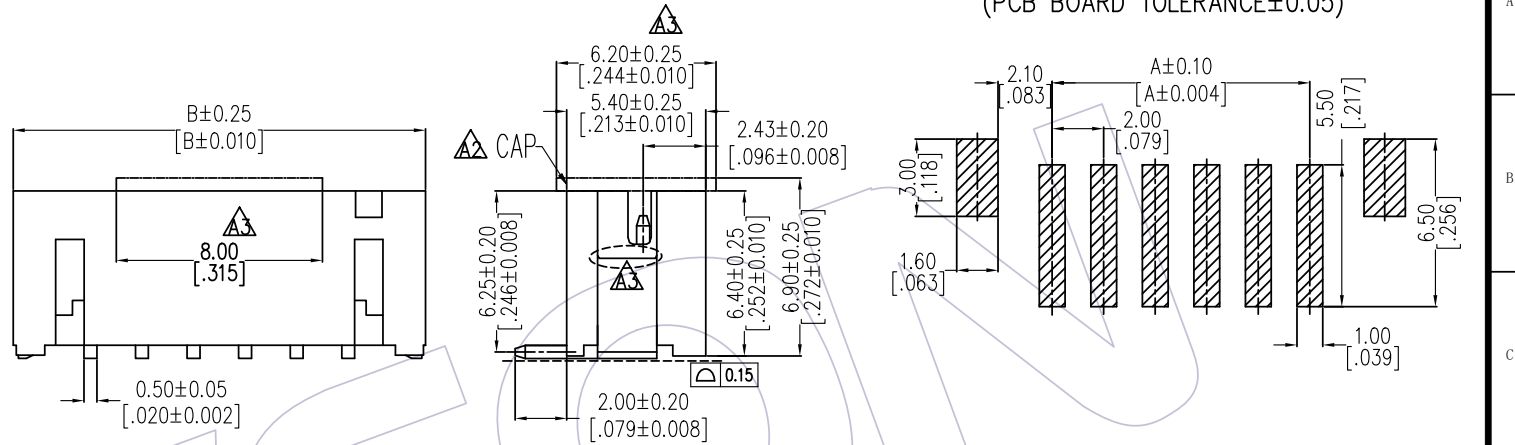
# HSF

**NOTES:**

Current Rating: 2.0A AC,DC  
 Voltage Rating: 250V AC,DC  
 Contact Resistance: 20mΩ max  
 Withstand Voltage: 800V AC/minute  
 Insulation Resistance: 1000MΩ min  
 Temperature Range: -25℃ to +85℃

Contact Material: Brass  
 Contact plating: Au or Sn Over Ni  
 Fitting Nail: Phosphor Bronze Tin-Plated  
 Insulator Material: PA6T+30%G.F(UL-94V-0)

Recommended P.C.B Layout(Top Side)  
 (PCB BOARD TOLERANCE±0.05)



## Ordering Information

WF2001 - WM XX X X 1

No. of pins: 02~16P  
 Contact Plating: S0=Gold Flash/Tin, S3=10u"Gold/Tin, S4=15u"Gold/Tin, S5=30u"Gold/Tin, G0=Gold Flash, G3=10u"Gold, G4=15u"Gold, G5=30u"Gold, Blank=Tin  
 Color: B=Black, W=Natural  
 Packing: 0=PE Bag, T=Tube, R=Reel+Mylar

## Dimensional & Ordering Information:

Circuit	Part No.	Dimension		
		A	B	C
02	WF2001-WM02XX1	2.0	8.0	6.50
03	WF2001-WM03XX1	4.0	10.0	8.50
04	WF2001-WM04XX1	6.0	12.0	10.50
05	WF2001-WM05XX1	8.0	14.0	12.50
06	WF2001-WM06XX1	10.0	16.0	14.50
07	WF2001-WM07XX1	12.0	18.0	16.50
08	WF2001-WM08XX1	14.0	20.0	18.50
09	WF2001-WM09XX1	16.0	22.0	20.50
10	WF2001-WM10XX1	18.0	24.0	22.50
11	WF2001-WM11XX1	20.0	26.0	24.50
12	WF2001-WM12XX1	22.0	28.0	26.50
13	WF2001-WM13XX1	24.0	30.0	28.50
14	WF2001-WM14XX1	26.0	32.0	30.50
15	WF2001-WM15XX1	28.0	34.0	32.50
16	WF2001-WM16XX1	30.0	36.0	34.50

REV	DATE	MODIFICATION DESCRIPTION	CHANGE	DIM	TOL	OPERATION	DRAW	DATE	SCALE	FIT	PART NO.	 Http: www.wcon.com WCON-Dongguan Tel: +86 769 85358920 Fax: +86 769 85358915 E-mail: sales@wcon.com WCON-Kunshan Tel: +86 512 57468408 Fax: +86 512 57468468 E-mail: salesks@wcon.com
A3	2019/11/27	Modify				OPERATION	DRAW SU	2019/11/27	UNIT mm		SEE TABLE	
A2	2017/06/22	Mylar → CAP		x.X	±0.40		CHECK	DATE	SIZE A4		TITLE: "J" TYPE PH2.0 WAFER 180° SMT	
A1	2015/09/11	T=Natural---W=Natural		x.XX	±0.25		APPROVE	DATE	SHEET 1/1		Customer NO.	
A0	2012/08/25	NEW		x.XXX	±0.15	Angle ± 3°			PROJ.			