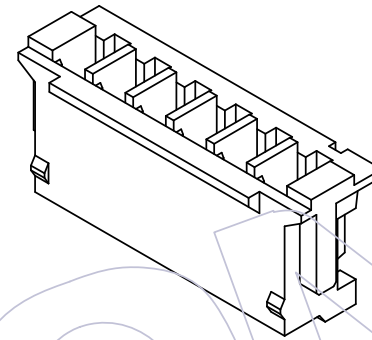
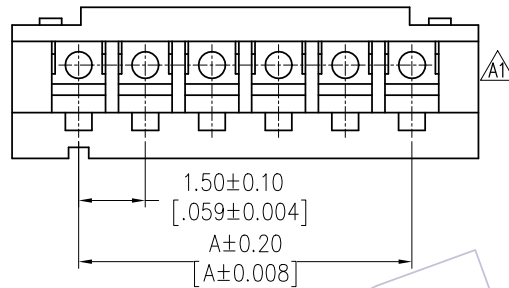


HSF

NOTES:
 Rated Current: 1.0AMP
 Rated Voltage: 50V AC/DC
 Contact Resistance: 20mΩ max
 Withstand Voltage: 500V AC/Minute
 Insulation Resistance: 500MΩ min
 Operation Temperature: -25℃ to +85℃
 Insulator Material: PA66 UL94V-0



Specification & Ordering Information:

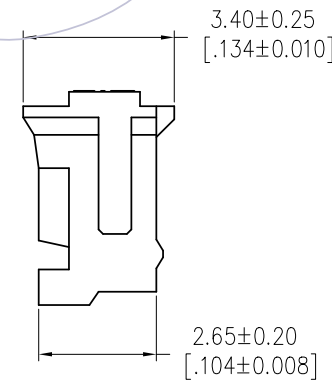
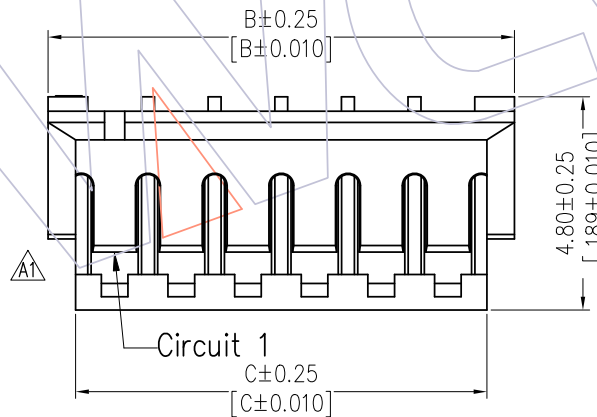
Circuit	Part No.	Dimension			Q'ty /Bag
		A	B	C	
02	WF1501-H02X01	1.50	4.50	3.30	1,000
03	WF1501-H03X01	3.00	6.00	4.80	1,000
04	WF1501-H04X01	4.50	7.50	6.30	1,000
05	WF1501-H05X01	6.00	9.00	7.80	1,000
06	WF1501-H06X01	7.50	10.50	9.30	1,000
07	WF1501-H07X01	9.00	12.00	10.80	1,000
08	WF1501-H08X01	10.50	13.50	12.30	1,000
09	WF1501-H09X01	12.00	15.00	13.80	1,000
10	WF1501-H10X01	13.50	16.50	15.30	1,000
11	WF1501-H11X01	15.00	18.00	16.80	1,000
12	WF1501-H12X01	16.50	19.50	18.30	1,000
13	WF1501-H13X01	18.00	21.00	19.80	1,000
14	WF1501-H14X01	19.50	22.50	21.30	1,000
15	WF1501-H15X01	21.00	24.00	22.80	1,000
16	WF1501-H16X01	22.50	25.50	24.30	1,000
17	WF1501-H17X01	24.00	27.00	25.80	1,000
18	WF1501-H18X01	25.50	28.50	27.30	1,000
19	WF1501-H19X01	27.00	30.00	28.80	1,000
20	WF1501-H20X01	28.50	31.50	30.30	1,000

Ordering Information

WF 1501 - H XX X 0 1

No. of pins
02pin~20pin

Color
E=Beige
W=White



REV		DATE	MODIFICATION DESCRIPTION	CHANGE	OPERATION	DRAW	DATE	SCALE	FIT	PART NO.	 Http: www.wcon.com WCON-Dongguan Tel: +86 769 85358920 WCON-Kunshan Tel: +86 512 57468408 Fax: +86 769 85358915 E-mail: sdles@wcon.com	
					x.x	JYHuang	2014/03/25	UNIT	mm	SEE TAB		
A1		2014/03/25	MODIFY THE VIEW		±0.40	CHECK	DATE	SIZE	inch	TITLE:		
AO		2012/09/03	NEW		±0.25	APPROVE	DATE	SHEET	A4	ZH 1.50 WAFER HOUSING		
					x.xxx			PROJ.	1/1	Customer NO.		
					Angle							
					± 3'							
					DIM							
					TOL							