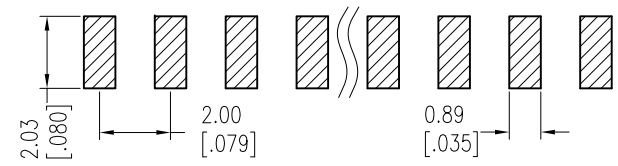
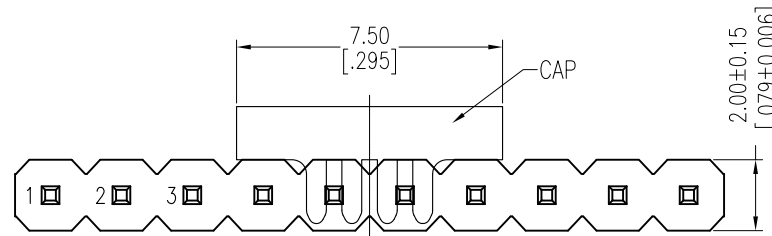


HSF

Recommended P.C.B Layout (Top Side)
(PCB BOARD TOLERANCE ±0.05)

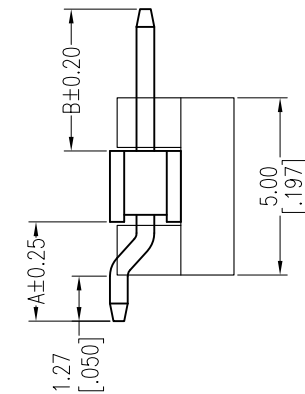
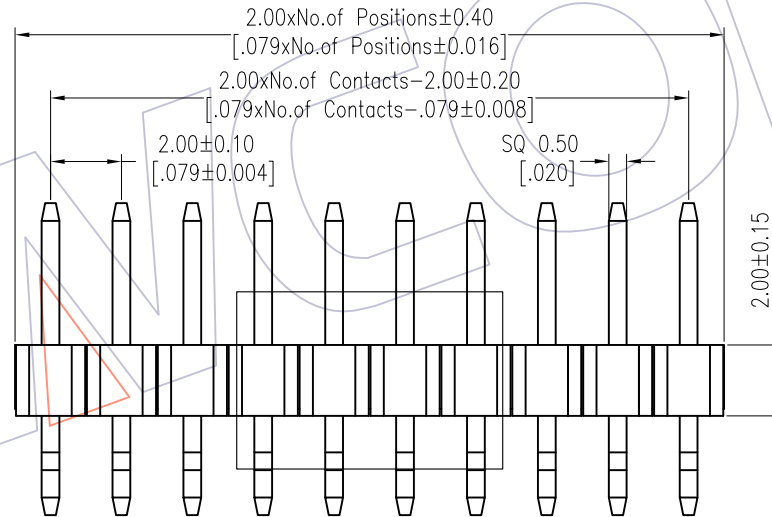
NOTES:
 Rated Current: 2.0AMP.
 Contact Resistance: 20mΩ Max.
 Withstand Voltage: 500V AC/DC
 Insulation Resistance: 1000MΩ Min.
 Operation Temperature: -40°C to +105°C

Contact Material: Brass
 Contact Plating: Au or Sn Over Ni
 Insulator Material: PA9T+33%G.F UL94V-0 BK



Dual Numbers

Odd Number



Ordering Information

1220-11 XX XX Z XXX C R XX

No. of Pins	Contact Plating	Pin Length	Insulator Material	Packing	Series No.
02-40	G0=Gold Flash	L=A+B+2.2	C=PA9T	A=Tray	01-99
	G3=10u"Gold	Standard: 069=6.9		T=Tube	
	G4=15u"Gold	080=8.0		P=Tube+CAP	
	G5=30u"Gold	090=9.0		R=Tape&Reel+CAP	
	S0=Gold Flash/Tin				
	S3=10u"Gold/Tin				
	S4=15u"Gold/Tin				
	S5=30u"Gold/Tin				
	SN=Tin				
	SM=Matte Tin				

Item	Pin Length	A	B	Mating
Standard	6.90	2.80	1.90	
	8.00	2.80	3.00	
	9.00	2.80	4.00	2240 2243 2263 2272
Alternate				

REV	DATE	MODIFICATION DESCRIPTION	CHANGE	OPERATION	DRAW	DATE	SCALE	Fit	PART NO.
A1	2018/01/18	Modify P/N	△	x.X ±0.40	Liu	2018.01.18	UNIT	mm	1220-11XXXXXXCRXX △
AO	2012/04/26	NEW	-----	x.XX ±0.25	CHECK	DATE	SIZE	A4	TITLE:
				x.XXX ±0.15	APPROVE	DATE	SHEET	1/1	PH2.00 SINGLE ROW 90° SMT H=2.0
				Angle ± 3'			PROJ.	⊕	Customer NO.
				DIM TOL					

WCON

Http: www.wcon.com

WCON-Dongguan Tel: +86 769 85358920 Fax: +86 769 85358915 E-mail: sales@wcon.com	WCON-Kunshan Tel: +86 512 57468408 Fax: +86 512 57468468 E-mail: salesks@wcon.com
---	--