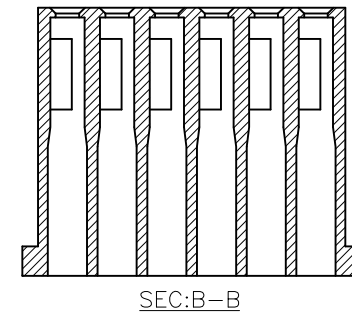
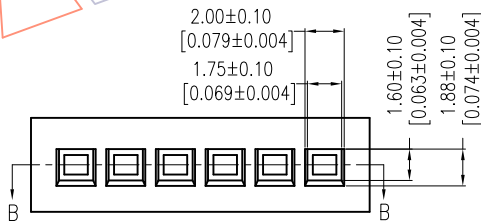
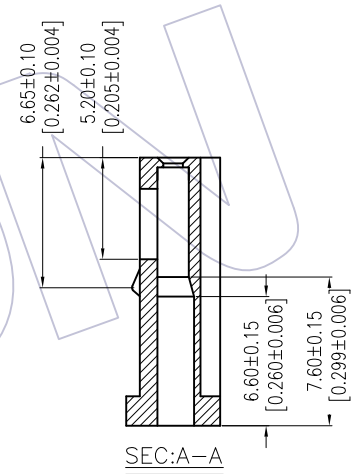
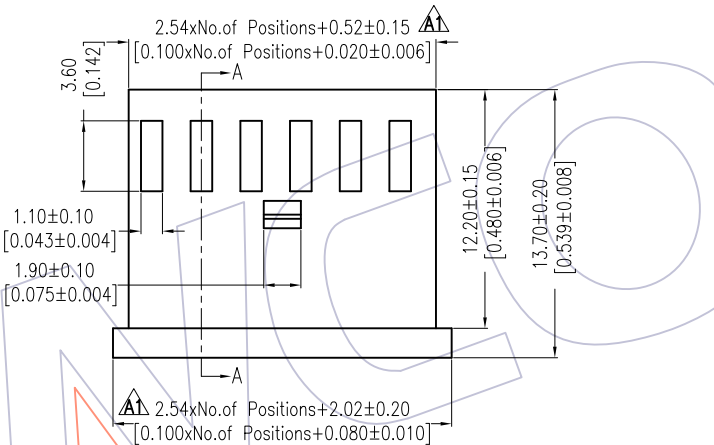
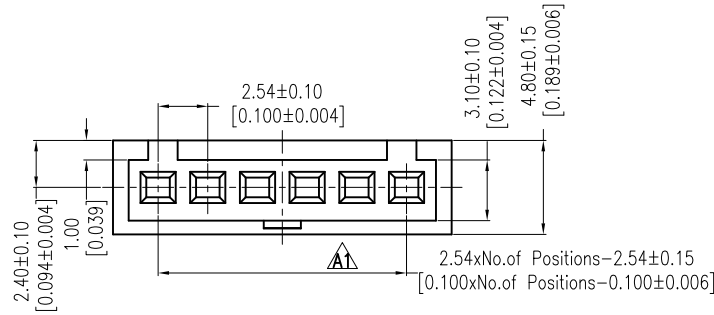


HSF

NOTES:


Rated Current:3.0AMP
 Contact Resistance:20mΩ max
 Withstand Voltage:1000V AC/DC
 Insulation Resistance:1000MΩ min
 Operation Temperature:-25℃ to +85℃
 Insulator Material:PBT+30%G.F(UL94V-0)
 Use with:WF2548-T
 Mated With:WF2548-Wafer



Ordering Information
WF2548-1 H XX B 0 1

No. of Pins Per Row:
 02P~22P

Packing
 0=PE Bag

REV		DATE	MODIFICATION DESCRIPTION	CHANGE	OPERATION	DRAW	DATE	SCALE	FIT	PART NO.	 Http: www.wcon.com WCON-Dongguan Tel: +86 769 85358920 Fax: +86 769 85358915 E-mail: sales@wcon.com	WCON-Kunshan Tel: +86 512 57468408 Fax: +86 512 57468468 E-mail: salesks@wcon.com
A1		2017/02/27	Modify	△	X.X	±0.40	2017/02/27	UNIT	mm	WF2548-1HXXB01		
A0		2012/09/08	NEW	—	X.XX	±0.25	DATE	SIZE	A4			
					X.XXX	±0.15	DATE	SHEET	1/1	2.54 Single Row T Type Housing		
					Angle	± 3'	DATE	PROJ.	⊕	Customer NO.		
					DIM	TOL						