

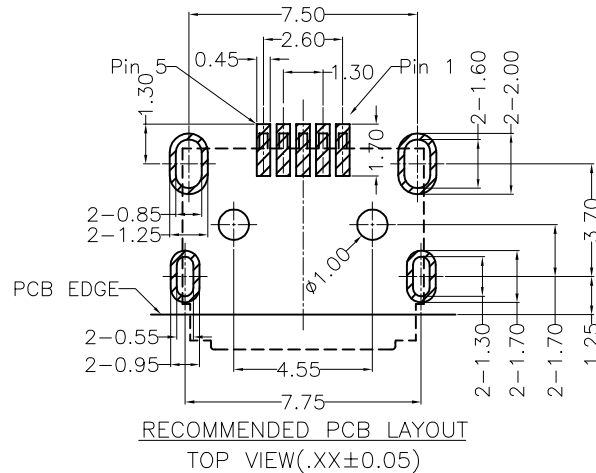
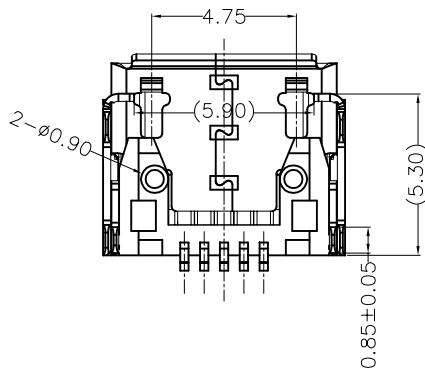
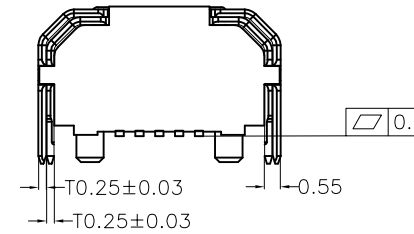
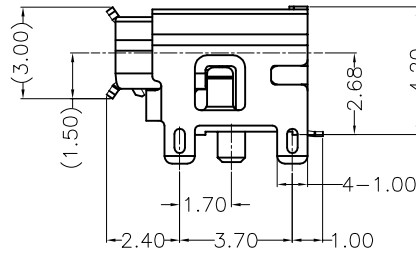
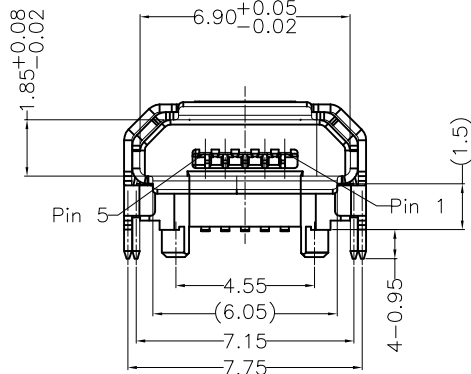
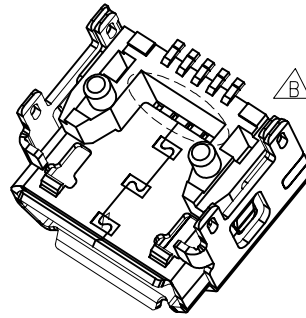
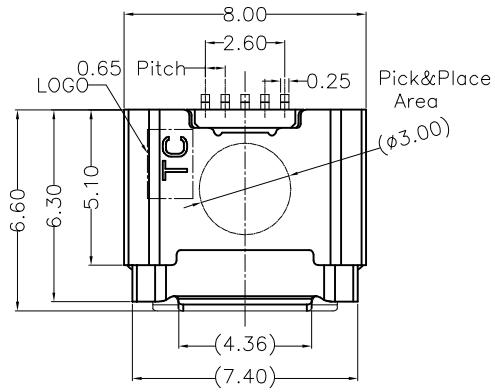
THE PART MEETS TECONN "GPO01" COMPLIANCE NEW REV.

- 1.Contact Resistance:30mOHM Max.;
- 2.Dielectric Withstanding Voltage:100V AC For 1 Minute;
- 3.Insulation Resistance:1000M OHM Min.;
- 4.Mating And unmating Force:  
Mating Force:35N Max/Unmating Force:8N Min;
- 5.Durability:10000 Cycles;

A4A0509-A(B)-XX-R

LOGO TYPE:  
A: "TC" LOGO  
B: Without LOGO

Contact Area Plating:  
01: Au 1u"  
03: Au 3u"  
05: Au 5u"  
10: Au 10u"  
15: Au 15u"  
30: Au 30u"



ITEM	TITLE	MATERIAL	DISPOSE	REMARK
1	Terminal	Copper Alloy	Au On Contact Area Gold Flash On Solder Area All Over Nickel Plated	T=0.15
2	Shell	Stainless Steel	Gold Flash On Solder Tail All Over 50u"Min Nickel Plated	T=0.25
3	Cover	Stainless Steel	Bright Sn 60u"Min.Over Nickel 60u" Min.Plated.	T=0.25
4	Housing	LCP	UL94V-0	Black

X. ±0.50	APPD: Lebon.lee	TITLE: Micro B REC.Reverse Block Up(1.5)	
.X ±0.30	CHKD: /		
.XX ±0.20			
.XXX±	DR: Kevin Han	PART NO: A4A0509-A(B)-XX-R	
X" ±2"		DWG NO: CUSTOMER DRAWING	
.X" ±1.5"		C-A4A0509-A(B)-XX-R	SHEET:10F1 REV: B

B	TE2019-0012	Modify structure	Kevin Han	2019/01/21
A	TE2012-0515	New Drawing		2012/11/06
REV	ECN NO	DESCRIPTION	DESIGN	DATE