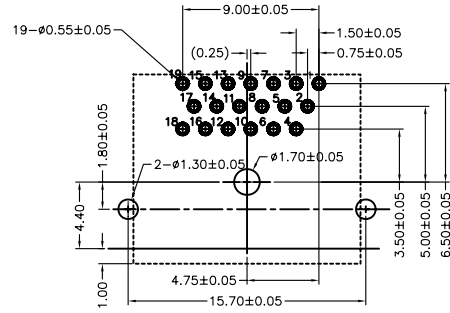
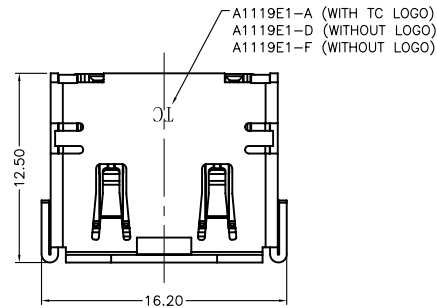


符合泰康“环境相关物质管理规定GP001”

A
B
C
D
E
F

1 2 3 4 5 6 7 8 9 10

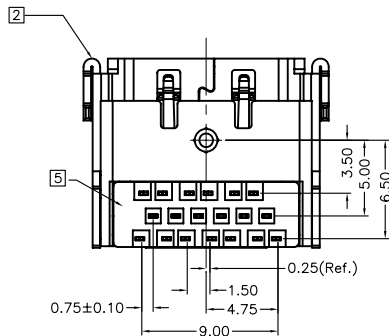
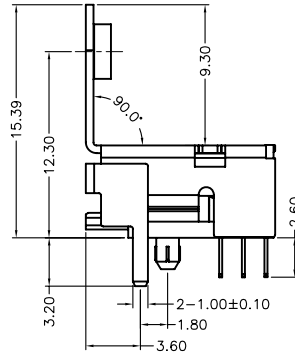
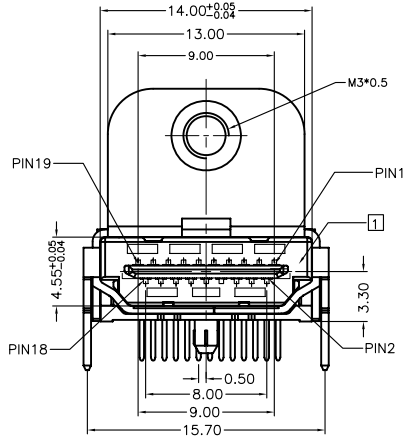
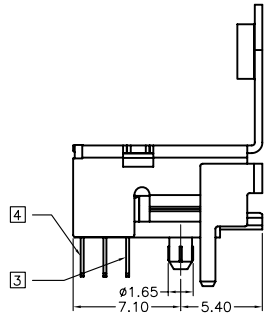
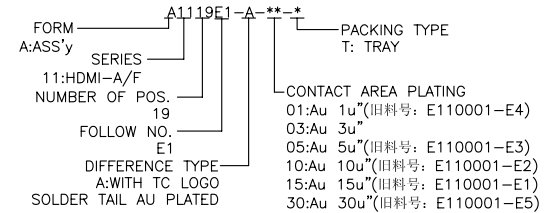


RECOMMENDED PCB LAYOUT(t=1.60±0.15)
COMPONENT SIDE

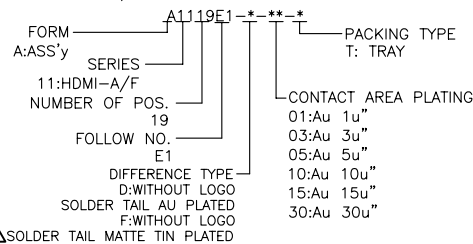
NOTE:

- MECHANICAL CHARACTERISTICS
INSERTION FORCE: 44.1N MAX
WITHDRAWAL FORCE: 9.8N MIN, 39.2N MAX
MATING CYCLE: 10000 CYCLES
CONTACT PULL OUT FORCE: 1.96N/PIN MIN
- ELECTRICAL CHARACTERISTICS
RATING CURRENT: 0.5A
RATING VOLTAGE: 40V
CONTACT RESISTANCE: 10 MILLOHMS OHMS MAX (EXCLUDING CONDUCTOR RESISTANCE)
INSULATION RESISTANCE:
a, UNMATED: 100M OHMS MIN AT 500 VDC
b, MATED: 10M OHMS MIN AT 150 VDC
DIELECTRIC WITHSTANDING VOLTAGE: 300V AC/1MINUTE
OPERATING TEMPERATURE: -20°C--+85°C
STORAGE TEMPERATURE: -20°C--+65°C

WITH TC LOGO PART NO. INFORMATION




W/O LOGO PART NO. INFORMATION



NO.	名称	料号	材质	电镀/颜色	数量
05	COVER	新料号: H1119E1-A-B 旧料号: H111904-004	LCP(BLACK) UL94V-0	黑色	1
04	长端子	T1119E1-E-***-A	C5210R-H	底镍50u"Min. 接触区见料号说明, 尾部雾锡80u" Min.	10
		新料号: T1119E1-A-***-A 旧料号: C111901-*04			
03	短端子	T1119E1-E-***-B	C5210R-H	底镍50u"Min. 接触区见料号说明, 尾部雾锡80u" Min.	09
		新料号: T1119E1-A-***-B 旧料号: C111902-*04			
02	外壳 (W/O Logo)	新料号: K1119E1-D-0N-A	C2680 1/2H	可焊锡50u"Min.	1
		新料号: K1119E1-A-0N-A 旧料号: S111902-N04			
01	胶芯	新料号: H1119E1-A-A 旧料号: H111903-004	LCP	黑色	1

REV	ECN NO	DESCRIPTION	DATE
C	TE2009-727	增加锡脚电镀雾锡选项	2009.12.18
B	TE2009-605	更换图框, 导入新料号, 增加无LOGO选项	2009.11.03
A	TE2008-119	DRAWING RELEASE	2008.10.14

X	±	APPD:	TITLE:	 泰康电子 TECOON
.X	± 0.25		HDMI-A/F/19PIN/With Flange/Dip 90° /3 ROWS CONNECTOR (CUSTOMER DRAWING)	
.XX	± 0.20	CHKD:		
.XXX	±	DR:	PART NO: A1119E1-A(D,F)-XX-X (旧料号: E110001-E1)	
X'	± 2.5'			
X''	± 2'			
UNITS: mm		SCALE: NONE	DWG NO: C-A1119E1-A(D,F)-XX-X (旧料号: CE110001-E1)	客户图 SHEET: 10F/1 REV: C

1 2 3 4 5 6 7 8 9 10