



USB-212-BCW
W18.80xD12.00xH4.50

PIN数(Number of contacts) : 4PIN

插座类型(Socket type) : 2.0 USB

插座类别(Socket category): 公头/Male head

操作方式(Operation mode): 卧式/Horizontal

温度范围(Operating temp): -20°C TO +70°C

操作寿命(Operation life): 5,000 Cycles Min

额定负荷(Rated load): DC 30V 1.5A

焊接方式(Welding mode): 前插后贴/SMT

接触电阻(Contact resistance): $\leq 50m\Omega$

包装方式(Packaging method): 吸塑盘/Tray

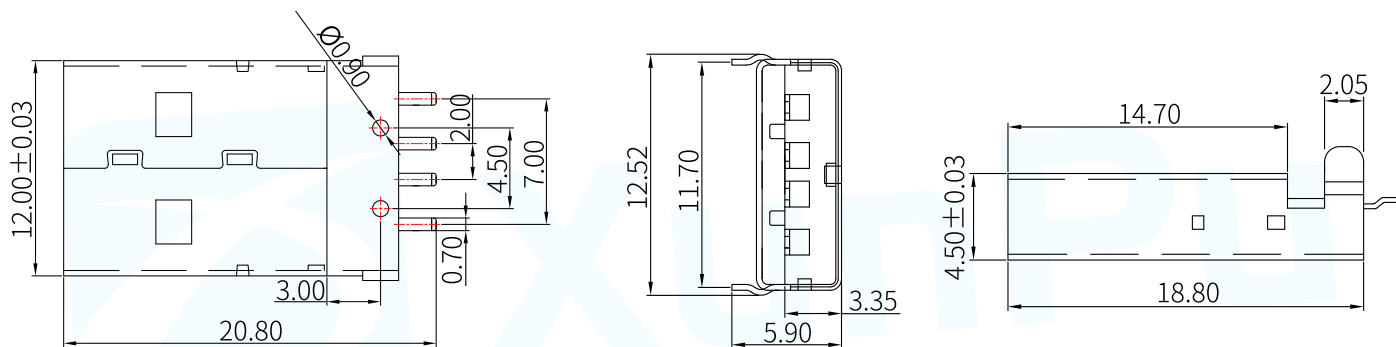
绝缘电阻(Insulation resistance): $\geq 1000M\Omega$

最小包装(Minimum packing): 1,000/PCS

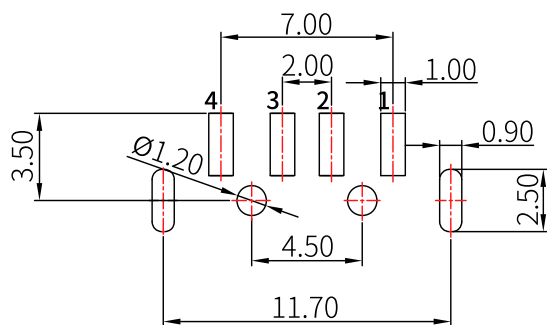
外形尺寸(UNIT:MM) / Size Chart

www.xunpudianzi.com

更多资料请参考技术选型档!



线路板安装(UNIT:MM) / Mounting Dimensions



P.C.B LAYOUT(copper-side view)

引脚定义/Pin Definition

| PIN | Signal Name | Describe |
|-----|-------------|------------------------|
| 1 | VBUS | +5V |
| 2 | D- | Neagative Data Channel |
| 3 | D+ | Positive Data Channel |
| 4 | GND | Ground |

● 回流焊/Reflow soldering

适用表面贴装型产品/Applicable to surface mount products
温度分布/Temperature distribution



注:

1. 加热方式:以远红外线上下加热方式。
2. 温度测量:用 $\phi 0.1\sim 0.2$ 的 CA(K)或 CC(T)测量位置在焊接连接部(锡/铜箔面)。
3. 固定方式:采用耐热胶带。

● 手焊式/Hand welding

| 项目/Project | 条件/condition |
|-----------------------------------|--------------|
| 焊接温度 Welding temperature | 350°C max. |
| 持续焊接时间 Continuous welding time | 3s max. |
| 焊剂斗容量 Flux bucket capacity | 60W max. |

● 浸焊式/Immersion soldering

| 项目/Project | 条件/condition |
|------------------------------------|---|
| 助焊剂附着量 Flux adhesion | 不附着于零部件贴装面的程度 Not attached to the mounting surface of components |
| 预热温度 Preheating temperature | 印刷电路板焊接面的周围温度 100°C max. The temperature around the welding surface of PCB is 100 °C max |
| 预热温度时间 Preheat temperature time | 60s max. |
| 焊接温度 welding temperature | 260°C max. |
| 焊接浸渍时间 Welding immersion time | 5s max. |
| 焊接次数 Welding times | 2 times max. |