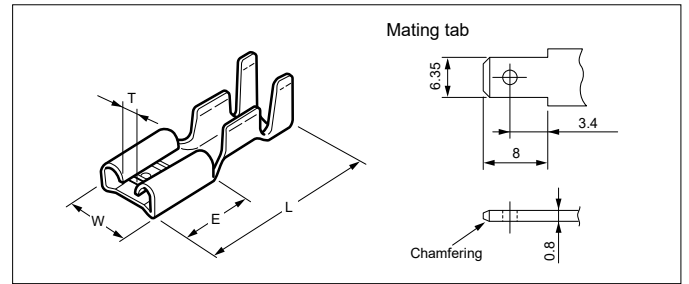


TAB-ON TERMINAL

250 Tab-on type



UL LISTED E70188

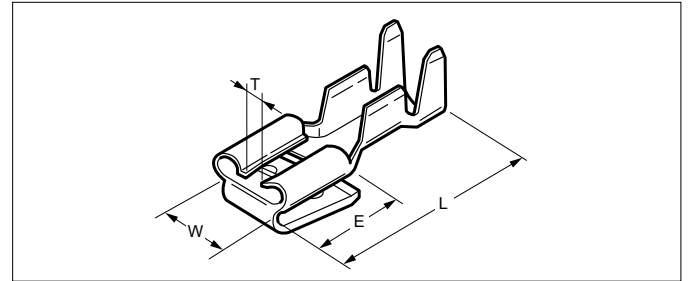
SP Certified LR20812

| Model No. | Standard | Applicable wire | | | Material | Finish | Dimensions(mm) | | | | | | Q'ty/ reel |
|---------------|--------------|-----------------|----------|----------------------------|---|------------|----------------|------|-----|--------------|-----------------------|----------------------------|---------------|
| | | mm ² | AWG # | Insulation O.D. (mm) | | | W | L | E | T approx. | Material thickness | Mating tab thickness | |
| STO-21-250N | UL LISTED SP | 0.3 to 0.75 | 22 to 18 | 2.3 to 3.0 | Brass | — | 7.7 | 19.0 | 7.8 | 2.4 | 0.4 | 0.8 | 5,000 |
| STO-21T-250N | UL LISTED SP | | | | | Tin-plated | | | | | | | |
| STO-61-250N | UL LISTED SP | — | | | | | | | | | | | |
| STO-61T-250N | UL LISTED SP | 0.75 to 2.0 | 18 to 14 | 2.8 to 3.8 | | Tin-plated | | | | | | | |
| STO-81-250N | UL LISTED SP | | | | | — | | | | | | | |
| STO-81T-250N | UL LISTED SP | 2.0 to 3.5 | 14 to 12 | 3.8 to 5.0 | | Tin-plated | 7.6 | 19.6 | 8.0 | 1.6 | 0.45 | 0.8 | |
| *STO-62T-250N | | | | | UL1015 #20 + UL1015 #20 UL1015 #18 + UL1015 #20 UL1015 #18 + UL1015 #18 | | | | | | | | Tin-plated |

RoHS2 compliance

Note: Terminal denoted by * is used only for two wires. If using wires in other combinations than the ones shown above, contact JST.

250 Tab-on piggyback type



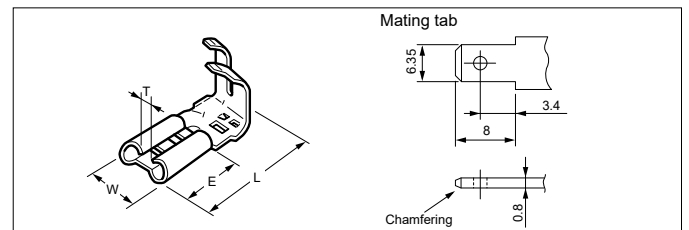
UL LISTED E70188

SP Certified LR20812

| Model No. | Standard | Applicable wire | | | Material | Finish | Dimensions(mm) | | | | | | Q'ty/ reel |
|--------------|--------------|-----------------|----------|----------------------------|----------|------------|----------------|------|-----|--------------|-----------------------|----------------------------|---------------|
| | | mm ² | AWG # | Insulation O.D. (mm) | | | W | L | E | T approx. | Material thickness | Mating tab thickness | |
| SFT-61T-250N | UL LISTED SP | 0.75 to 2.0 | 18 to 14 | 2.8 to 3.9 | Brass | Tin-plated | 7.6 | 19.6 | 8.3 | 2.9 | 0.39 | 0.8 | 3,000 |

RoHS2 compliance

250 Tab-on flag type



UL LISTED E70188

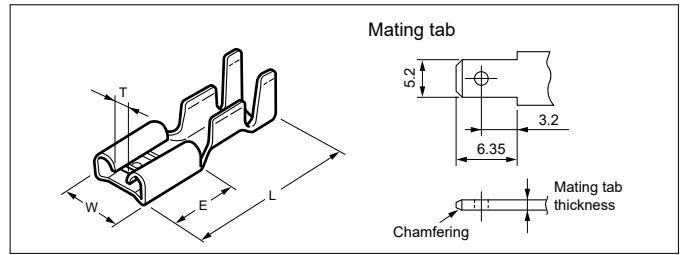
SP Certified LR20812

| Model No. | Standard | Applicable wire | | | Material | Finish | Dimensions(mm) | | | | | | Q'ty/ reel |
|--------------|--------------|-----------------|----------|----------------------------|----------|------------|----------------|------|-----|--------------|-----------------------|----------------------------|---------------|
| | | mm ² | AWG # | Insulation O.D. (mm) | | | W | L | E | T approx. | Material thickness | Mating tab thickness | |
| SFO-61-250A | UL LISTED SP | 0.75 to 2.0 | 18 to 14 | 2.8 to 3.8 | Brass | — | 8.0 | 16.1 | 7.8 | 3.0 | 0.45 | 0.8 | 3,000 |
| SFO-61T-250A | UL LISTED SP | | | | | Tin-plated | | | | | | | |

RoHS2 compliance

TAB-ON TERMINAL

205 Tab-on type



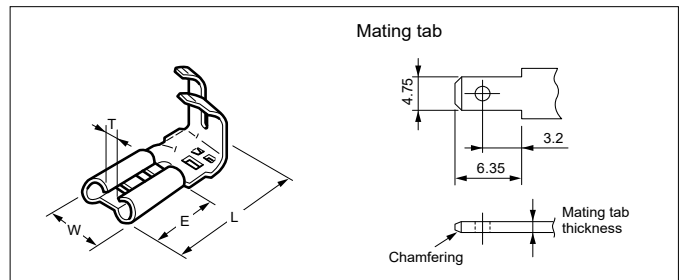
UL LISTED E70188

SP Certified LR20812

| Model No. | Standard | Applicable wire | | | Material | Finish | Dimensions(mm) | | | | | | Q'ty/reel |
|----------------|--------------|-----------------|----------|----------------------|----------|------------|----------------|------|-----|-----------|--------------------|----------------------|-----------|
| | | mm ² | AWG # | Insulation O.D. (mm) | | | W | L | E | T approx. | Material thickness | Mating tab thickness | |
| STO-21-205N | UL LISTED SP | 0.3 to 0.75 | 22 to 18 | 2.3 to 3.0 | Brass | — | 6.4 | 15.9 | 6.4 | 0.7 | 0.4 | 0.8 | 7,500 |
| STO-21T-205N | | | | | | Tin-plated | | | | | | 0.5 | |
| STO-21-205N-5 | | | | | | — | | | | | | | |
| STO-21T-205N-5 | | | | | | Tin-plated | | | | | | | |

RoHS2 compliance

187 Tab-on flag type



UL LISTED E70188

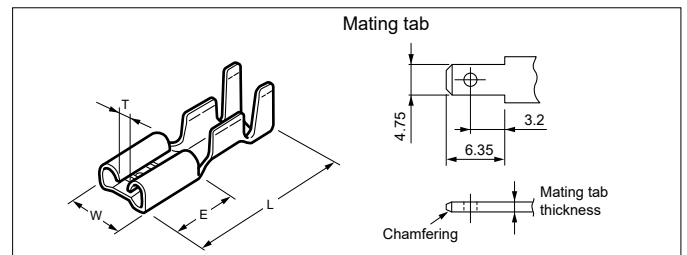
SP Certified LR20812

| Model No. | Standard | Applicable wire | | | Material | Finish | Dimensions(mm) | | | | | | Q'ty/reel |
|----------------|--------------|-----------------|----------|----------------------|----------|------------|----------------|------|-----|-----------|--------------------|----------------------|-----------|
| | | mm ² | AWG # | Insulation O.D. (mm) | | | W | L | E | T approx. | Material thickness | Mating tab thickness | |
| SFO-41-187N | UL LISTED SP | 0.5 to 1.25 | 20 to 16 | 2.6 to 3.5 | Brass | — | 5.6 | 12.3 | 6.4 | 1.0 | 0.32 | 0.5 | 5,000 |
| SFO-41T-187N | | | | | | Tin-plated | | | | | | 0.8 | |
| SFO-41-187N-8 | | | | | | — | | | | | | | |
| SFO-41T-187N-8 | | | | | | Tin-plated | | | | | | | |

RoHS2 compliance

TAB-ON TERMINAL

187 Tab-on type



UL LISTED Listed E70188 (Except when AWG#24 is applied.)

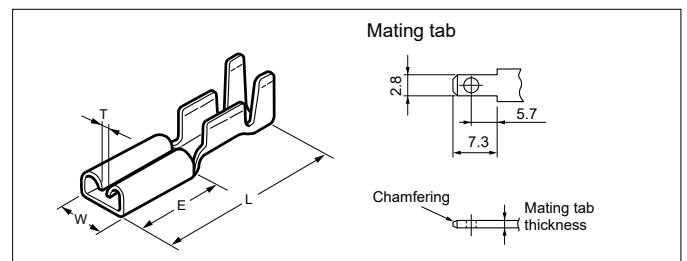
SP Certified LR20812

| Model No. | Standard | Applicable wire | | | Material | Finish | Dimensions(mm) | | | | | Q'ty/ reel | |
|----------------|--------------|---|----------|----------------------|----------|------------|----------------|------|-----|-----------|--------------------|------------|----------------------|
| | | mm ² | AWG # | Insulation O.D. (mm) | | | W | L | E | T approx. | Material thickness | | Mating tab thickness |
| STO-01-187N | UL LISTED SP | 0.2 to 0.5 | 24 to 20 | 1.5 to 2.6 | Brass | — | 5.6 | 15.0 | 6.3 | 1.5 | 0.32 | 0.5 | 10,000 |
| STO-01T-187N | UL LISTED SP | | | | | Tin-plated | | | | | | | |
| STO-01-187N-8 | UL LISTED SP | | | | | — | | | | | | | |
| STO-01T-187N-8 | UL LISTED SP | | | | | Tin-plated | | | | | | | |
| STO-41-187N | UL LISTED SP | 0.5 to 1.25 | 20 to 16 | 2.6 to 3.5 | Brass | — | 5.6 | 15.0 | 6.3 | 1.5 | 0.32 | 0.5 | |
| STO-41T-187N | UL LISTED SP | | | | | Tin-plated | | | | | | | |
| STO-41-187N-8 | UL LISTED SP | | | | | — | | | | | | | |
| STO-41T-187N-8 | UL LISTED SP | | | | | Tin-plated | | | | | | | |
| *STO-62T-187N | UL LISTED SP | UL1015 #20 + UL1015 #20 UL1015 #18 + UL1015 #20 UL1015 #18 + UL1015 #18 | | | Brass | Tin-plated | 5.6 | 19.6 | 6.4 | 1.5 | 0.32 | 0.5 | 4,000 |
| *STO-82T-187N | UL LISTED SP | UL1015 #18 + UL1015 #18 UL1015 #18 + UL1015 #16 UL1015 #16 + UL1015 #16 | | | Brass | Tin-plated | 5.6 | 19.6 | 6.4 | 1.5 | 0.32 | 0.5 | 4,000 |

RoHS2 compliance

Note: Terminal denoted by * is used only for two wires. If using wires in other combinations than the ones shown above, contact JST.

110 Tab-on type



UL LISTED Listed E70188 (Except when AWG #24 is applied.)

RV Recognized E70188(AWG #24)

SP Certified LR20812

| Model No. | Standard | Applicable wire | | | Material | Finish | Dimensions(mm) | | | | | Q'ty / reel | |
|----------------|--------------|-----------------|----------|----------------------|----------|------------|----------------|------|-----|-----------|--------------------|-------------|----------------------|
| | | mm ² | AWG # | Insulation O.D. (mm) | | | W | L | E | T approx. | Material thickness | | Mating tab thickness |
| STO-01-110N | UL LISTED SP | 0.2 to 0.5 | 24 to 20 | 2.1 to 2.8 | Brass | — | 3.7 | 15.4 | 6.3 | 0.6 | 0.25 | 0.5 | 10,000 |
| STO-01T-110N | UL LISTED SP | | | | | Tin-plated | | | | | | | |
| STO-01-110N-8 | UL LISTED SP | | | | | — | | | | | | | |
| STO-01T-110N-8 | UL LISTED SP | | | | | Tin-plated | | | | | | | |
| STO-41-110N | UL LISTED SP | 0.5 to 1.25 | 20 to 16 | 2.6 to 3.5 | Brass | — | 3.7 | 15.4 | 6.3 | 0.6 | 0.25 | 0.5 | |
| STO-41T-110N | UL LISTED SP | | | | | Tin-plated | | | | | | | |
| STO-41-110N-8 | UL LISTED SP | | | | | — | | | | | | | |
| STO-41T-110N-8 | UL LISTED SP | | | | | Tin-plated | | | | | | | |

RoHS2 compliance

TAB-ON TERMINAL

Crimping machine, Applicator

| Contact | Crimping machine | Applicator | | |
|--------------------|------------------|------------------|----------------|----------------------------|
| | | Crimp applicator | Dies | Crimp applicator with dies |
| STO-21(T)-250N | AP-K2N | MK-L | MK/STO-21-250 | APLMK STO21-250N |
| | | — | — | — |
| STO-61(T)-250N | | MK-L | MK/STO-61-250N | APLMK STO61-250N |
| | | — | — | — |
| STO-81(T)-250N | | MK-L | MK/STO-81-250N | APLMK STO81-250N |
| | | — | — | — |
| STO-62T-250N | | MK-L | MK/STO-62-250N | APLMK STO61-250N |
| | | — | — | — |
| SFT-61T-250N | | MKS-L | MK/SFT-61-250N | APL SFT61-250N |
| | | — | — | — |
| SFO-61(T)-250A | | MKF-L-250 | MK/SFO-61-250A | APL SFO61-250A |
| | | — | — | — |
| STO-21(T)-205N(-5) | | MK-L | MK/STO-21-205N | APL STO21-205N |
| | | — | — | — |
| SFO-41(T)-187N(-8) | MKF-L-187 | MK/SFO-41-187N | APL SFO41-187N | |
| | — | — | — | |

Note: Contact JST for fully automatic crimping applicator.

| Contact | Crimping machine | Applicator | | |
|--------------------|------------------|------------------|------------------|----------------------------|
| | | Crimp applicator | Dies | Crimp applicator with dies |
| STO-01(T)-187N(-8) | AP-K2N | MK-L | MK/STO-01-187N | APLMK STO01-187N |
| | | — | — | — |
| STO-41(T)-187N(-8) | | MK-L | MK/STO-41-187N | APLMK STO41-187N |
| | | — | — | — |
| STO-62T-187N | | MK-L-187 | MK/STO-62-187N | APLMK STO62-187N |
| | | — | — | — |
| STO-82(T)-187N | | MK-L-187 | MK/STO-82-187N | APLMK STO82-187N |
| | | — | — | — |
| STO-01(T)-110N(-8) | | MK-L | MK/STO-01-110N | APLMK STO01-110N |
| | | — | — | — |
| STO-41(T)-110N(-8) | MK-L | MK/STO-41-110N | APLMK STO41-110N | |
| | — | — | — | |

*In using the products, refer to "Handling Precaution for Terminal and Connector" described on our website (Technical documents of Product information page).

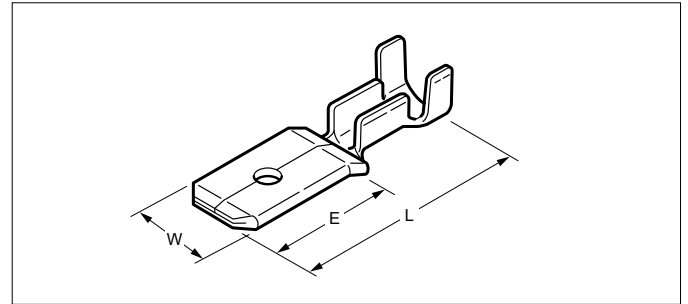
*RoHS2 compliance


*Dimensional unit: mm


*Contact JST for details.

TAB-ON-TAB TERMINAL

250 Tab-on tab type

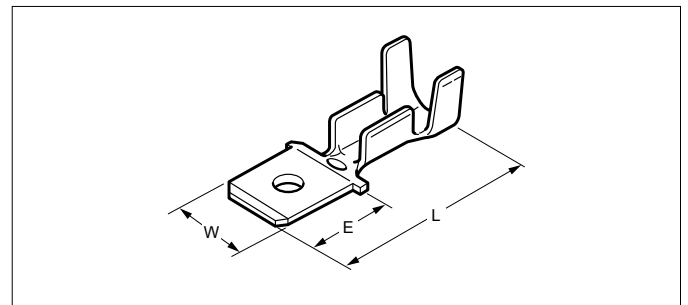



 Listed E70188


| Model No. | Standard | Applicable wire | | | Material | Finish | Dimensions(mm) | | | | | Q'ty/ reel |
|--------------------|---|-----------------|----------|----------------------------|----------|------------|----------------|------|------|-----------------------|------------------|---------------|
| | | mm ² | AWG # | Insulation O.D. (mm) | | | W | L | E | Material thickness | Tab thickness | |
| SOM-51-250 |  | 0.5 to 2.0 | 20 to 14 | 2.6 to 3.8 | Brass | — | 6.4 | 20.8 | 11.6 | 0.4 | 0.8 | 5,000 |
| SOM-51T-250 | | | | | | Tin-plated | | | | | | |

RoHS2 compliance

187 Tab-on tab type



 Listed E70188

| Model No. | Standard | Applicable wire | | | Material | Finish | Dimensions(mm) | | | | | Q'ty/ reel |
|--------------------|---|-----------------|----------|----------------------------|----------|------------|----------------|------|-----|-----------------------|------------------|---------------|
| | | mm ² | AWG # | Insulation O.D. (mm) | | | W | L | E | Material thickness | Tab thickness | |
| SOM-21-187 |  | 0.3 to 0.75 | 22 to 18 | 2.3 to 3.0 | Brass | — | 4.8 | 17.2 | 6.4 | 0.5 | 0.5 | 10,000 |
| SOM-21T-187 | | | | | | Tin-plated | | | | | | |

RoHS2 compliance

Crimping machine, Applicator

| Contact | Crimping machine | Applicator | | |
|----------------------|---------------------|------------------|---------------|----------------------------|
| | | Crimp applicator | Dies | Crimp applicator with dies |
| SOM-51(T)-250 | AP-K2N | MK-L | MK/SOM-51-250 | APLMK SOM51-250 |
| | | — | — | — |

| Contact | Crimping machine | Applicator | | |
|----------------------|---------------------|------------------|---------------|----------------------------|
| | | Crimp applicator | Dies | Crimp applicator with dies |
| SOM-21(T)-187 | AP-K2N | MK-L | MK/SOM-21-187 | APLMK SOM21-187 |
| | | — | — | — |

Note: Contact JST for fully automatic crimping applicator.

*In using the products, refer to "Handling Precaution for Terminal and Connector" described on our website (Technical documents of Product information page).

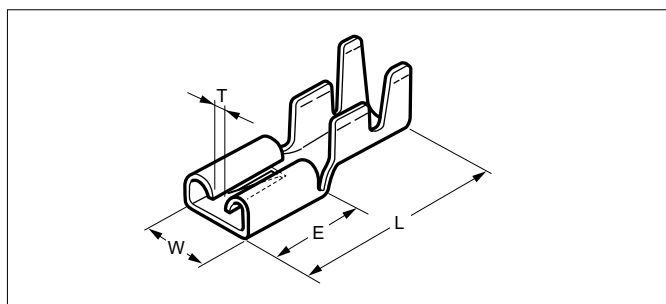
*RoHS2 compliance

*Dimensional unit: mm

*Contact JST for details.

TAB-IN/TAB-IN-TAB TERMINAL

250 Tab-in type



| Model No. | Standard | Applicable wire | | | Material | Finish | Dimensions(mm) | | | | | | Q'ty/reel |
|--------------|----------|-----------------|----------|----------------------|----------|------------|----------------|------|-----|-----------|--------------------|-----------------|-----------|
| | | mm ² | AWG # | Insulation O.D. (mm) | | | W | L | E | T approx. | Material thickness | Mating tab | |
| STI-51-250N | | 0.5 to 2.0 | 20 to 14 | 2.6 to 3.8 | Brass | — | 7.5 | 19.2 | 7.7 | 0.9 | 0.32 | SIM-51 (T)-250N | 5,000 |
| STI-51T-250N | | | | | | Tin-plated | | | | | | | |

RoHS2 compliance

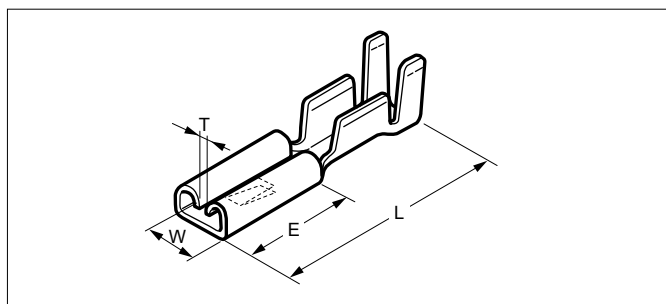
Note: 1. Combine a plated tab-in terminal with a plated tab and a non-plated tab-in terminal with a non-plated tab.

2. This terminal must be built into the model 250 tab-in housing which has numerous circuits, and it cannot be used independently.

Model 250 tab-on terminals, however, can be used independently.

3. The above case does not apply when we confirm the condition of application and judge that there is no problem.

110 Tab-in type



| Model No. | Standard | Applicable wire | | | Material | Finish | Dimensions(mm) | | | | | | Q'ty/reel |
|--------------|----------|-----------------|----------|----------------------|----------|------------|----------------|------|-----|-----------|--------------------|-----------------|-----------|
| | | mm ² | AWG # | Insulation O.D. (mm) | | | W | L | E | T approx. | Material thickness | Mating tab | |
| STI-01-110N | | 0.3 to 0.5 | 22 to 20 | 2.1 to 2.8 | Brass | — | 3.7 | 15.3 | 6.3 | 0.7 | 0.25 | SIM-01 (T)-110A | 10,000 |
| STI-01T-110N | | | | | | Tin-plated | | | | | | | |
| STI-41-110N | | 0.5 to 1.25 | 20 to 16 | 2.6 to 3.5 | Brass | — | 3.7 | 15.3 | 6.3 | 0.7 | 0.25 | SIM-41 (T)-110B | 10,000 |
| STI-41T-110N | | | | | | Tin-plated | | | | | | | |

RoHS2 compliance

Note: 1. Combine a plated tab-in terminal with a plated tab and a non-plated tab-in terminal with a non-plated tab.

2. This terminal must be built into the model 110 tab-in housing which has numerous circuits, and it cannot be used independently. Model 110 tab-on terminals, however, can be used independently.

Crimping machine, Applicator

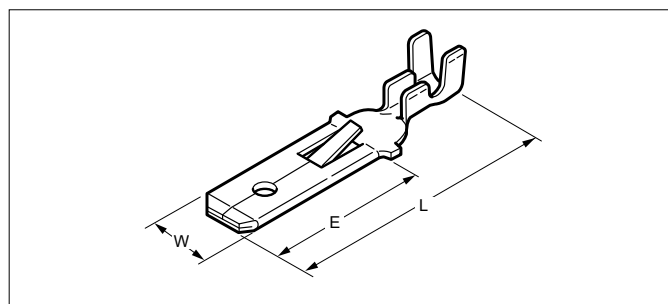
| Contact | Crimping machine | Applicator | | |
|----------------|------------------|------------------|----------------|----------------------------|
| | | Crimp applicator | Dies | Crimp applicator with dies |
| STI-51(T)-250N | AP-K2N | MK-L | MK/STI-51-250N | APLMK STI51-250N |
| | | — | — | — |
| STI-01(T)-110N | AP-K2N | MK-L | MK/SIM-01-110N | APLMK SIM01-110N |
| | | — | — | — |

| Contact | Crimping machine | Applicator | | |
|----------------|------------------|------------------|----------------|----------------------------|
| | | Crimp applicator | Dies | Crimp applicator with dies |
| STI-41(T)-110N | AP-K2N | MK-L | MK/STI-41-110N | APLMK STI41-110N |
| | | — | — | — |

Note: Contact JST for fully automatic crimping applicator.

TAB-IN/TAB-IN-TAB TERMINAL

250 Tab-in tab type

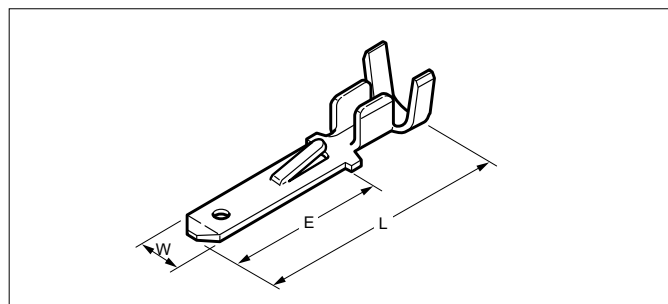



| Model No. | Standard | Applicable wire | | | Material | Finish | Dimensions(mm) | | | | | Q'ty/ reel |
|----------------------|----------|-----------------|----------|----------------------------|----------|------------|----------------|------|------|-----------------------|------------------|---------------|
| | | mm ² | AWG # | Insulation O.D. (mm) | | | W | L | E | Material thickness | Tab thickness | |
| SIM-21-250 | | 0.3 to 0.75 | 22 to 18 | 2.2 to 3.2 | Brass | — | 6.0 | 28.0 | 15.8 | 0.4 | 0.84 | 5,000 |
| SIM-21T-250 | | | | | | Tin-plated | | | | | | |
| SIM-51-250N | | 0.5 to 2.0 | 20 to 14 | 2.6 to 3.8 | | — | 6.0 | 24.5 | 13.0 | 0.4 | | 4,000 |
| SIM-51T-250N | | | | | | Tin-plated | | | | | | |
| SIM-81PT-250N | | 1.25 to 3.5 | 16 to 12 | 3.0 to 4.0 | | | | | | | 3,000 | |



RoHS2 compliance

Note: SIM-21 differs from SIM-51 in terminal size.

110 Tab-in tab type



 Listed E70188

| Model No. | Standard | Applicable wire | | | Material | Finish | Dimensions(mm) | | | | | Q'ty/ reel |
|---------------------|---|-----------------|----------|----------------------------|----------|------------|----------------|------|------|-----------------------|------------------|---------------|
| | | mm ² | AWG # | Insulation O.D. (mm) | | | W | L | E | Material thickness | Tab thickness | |
| SIM-01-110A |  | 0.3 to 0.5 | 22 to 20 | 2.1 to 2.8 | Brass | — | 2.8 | 20.6 | 12.0 | 0.5 | 0.5 | 7,500 |
| SIM-01T-110A | | | | | | Tin-plated | | | | | | |
| SIM-41-110B |  | 0.5 to 1.25 | 20 to 16 | 2.6 to 3.5 | | — | 2.8 | 20.6 | 12.0 | 0.5 | 0.5 | 7,500 |
| SIM-41T-110B | | | | | | Tin-plated | | | | | | |

RoHS2 compliance

Crimping machine, Applicator

| Contact | Crimping machine | Applicator | | |
|-----------------------|---------------------|------------------|------------------|----------------------------|
| | | Crimp applicator | Dies | Crimp applicator with dies |
| SIM-21(T)-250 | AP-K2N | MK-L | MK/SIM-21-250 | APLMK SIM21-250 |
| | | — | — | — |
| SIM-51(T)-250N | | MK-L | MK/SIM-51-250N | APLMK SIM51-250N |
| | | — | — | — |
| SIM-81PT-250N | MK-L | MK/SIM-81-250N | APLMK SIM81-250N | |
| | — | — | — | |

| Contact | Crimping machine | Applicator | | |
|-----------------------|---------------------|------------------|----------------|----------------------------|
| | | Crimp applicator | Dies | Crimp applicator with dies |
| SIM-01(T)-110A | AP-K2N | MK-L | MK/SIM-01-110A | APLMK SIM01-110A |
| | | — | — | — |
| SIM-41(T)-110B | | MK-L | MK/SIM-41-110B | APLMK SIM41-110B |
| | | — | — | — |

*In using the products, refer to "Handling Precaution for Terminal and Connector" described on our website (Technical documents of Product information page).

*RoHS2 compliance

*Dimensional unit: mm

*Contact JST for details.