

4

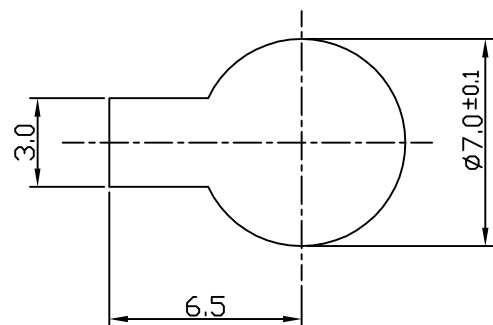
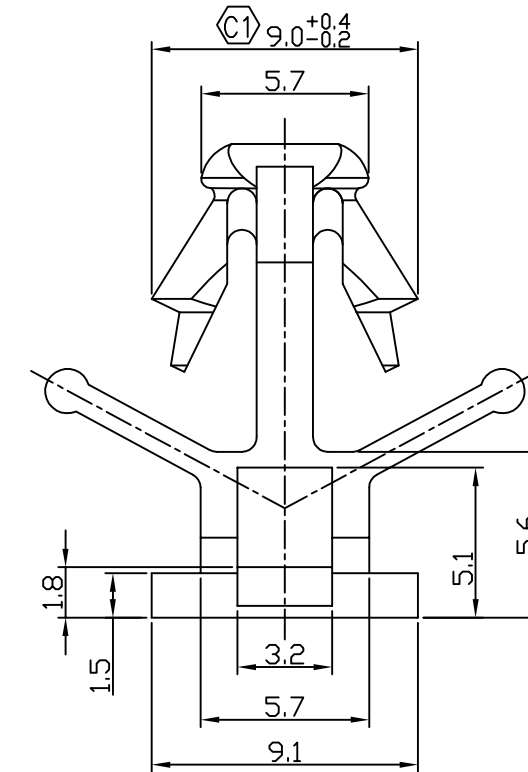
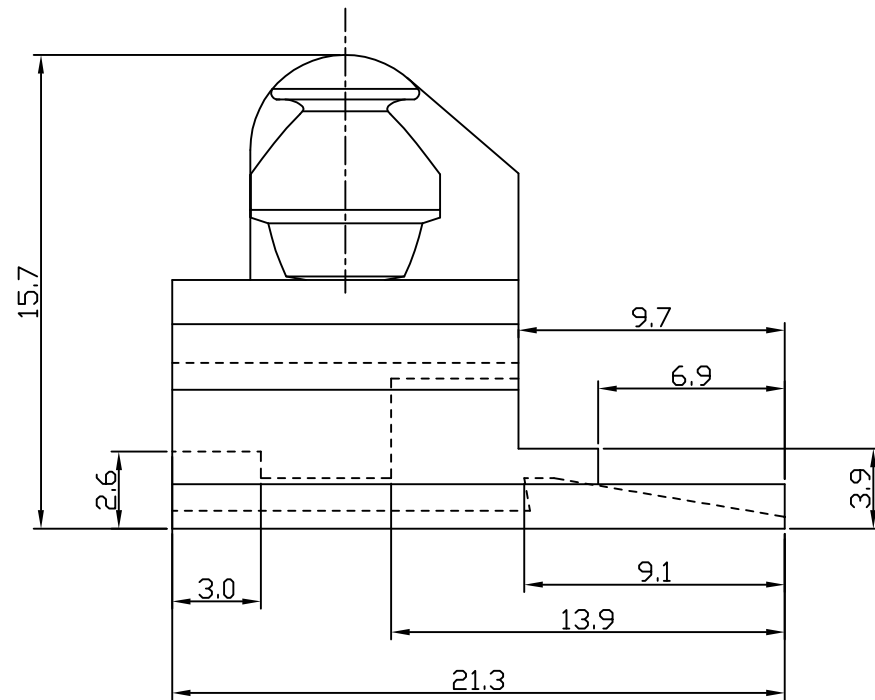
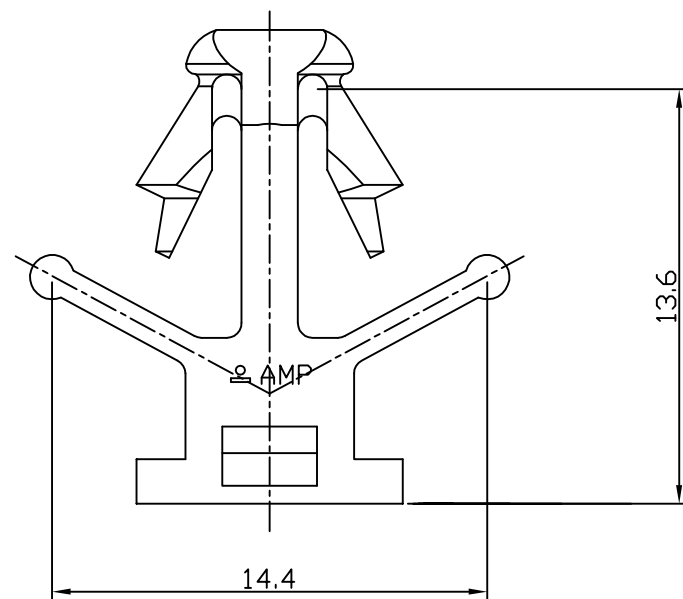
3

2

1

THIS DRAWING IS UNPUBLISHED. RELEASED FOR PUBLICATION
COPYRIGHT BY TYCO ELECTRONICS CORPORATION. ALL RIGHTS RESERVED.

LOC	DIST	REVISIONS					
		P	LTR	DESCRIPTION	DATE	DWN	APVD
DS			C	REDRAWN WITH CHANGE(FC00-0041-04)	16.MAR'04	JG	CS
			C1	REVISED(ECR-17-010262)	14.JUL'17	SH	KT



▲ PANEL HOLE SIZE THICKNESS=2.5MM

NOTE
1. APPLICABLE HSG P/N : 176143
▲ MOUNTING PANEL HOLE

PART NO.	DESCRIPTION	MATERIAL	COLOR
0-85003-2	187 CLIP HSG	PA66	BLACK
0-85003-1	187 CLIP HSG	PA66	NATURAL

<small>THIS DRAWING IS A CONTROLLED DOCUMENT FOR TYCO ELECTRONICS CORPORATION IT IS SUBJECT TO CHANGE AND THE CONTROLLING ENGINEERING ORGANIZATION SHOULD BE CONTACTED FOR THE LATEST REVISION.</small>		DWN : JG MOON			
		CHK : BM JANG			
DIMENSIONS: mm 		TOLERANCES UNLESS OTHERWISE SPECIFIED: 0 <XX<10 ± 0.2 10<XX<30 ± 0.25 30<XX ± 0.3 ANGLES ± 3°		NAME CLIP HOUSING FOR 187 SEALED CONN'	
MATERIAL		FINISH		APPLICATION SPEC WEIGHT 1.04g SIZE CAGE CODE DRAWING NO A3 00779 C- 85003	
				RESTRICTED TO SCALE 4/1 SHEET 1 OF 1 REV C1	