

4

3

2

1

THIS DRAWING IS UNPUBLISHED.

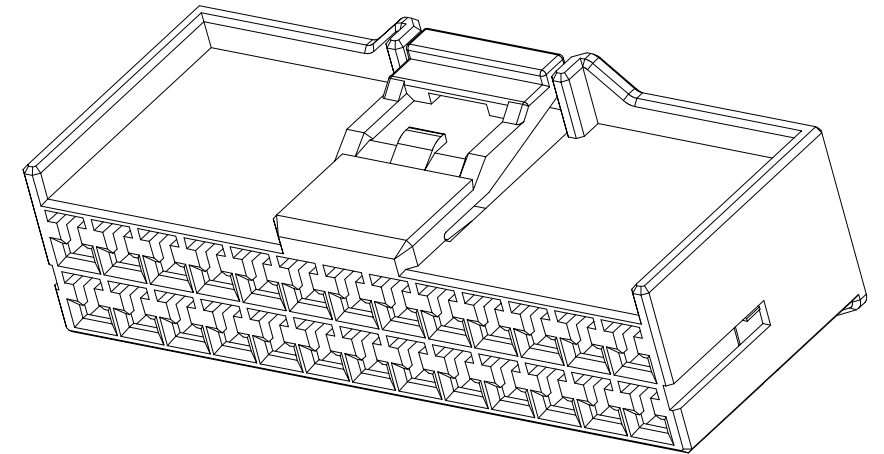
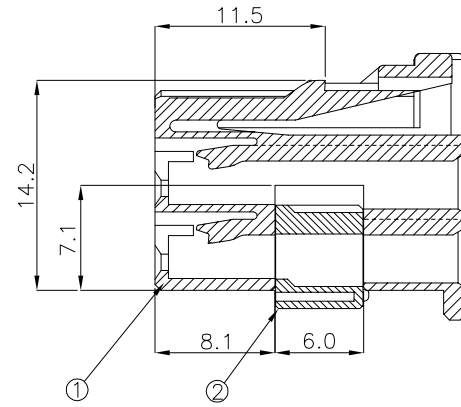
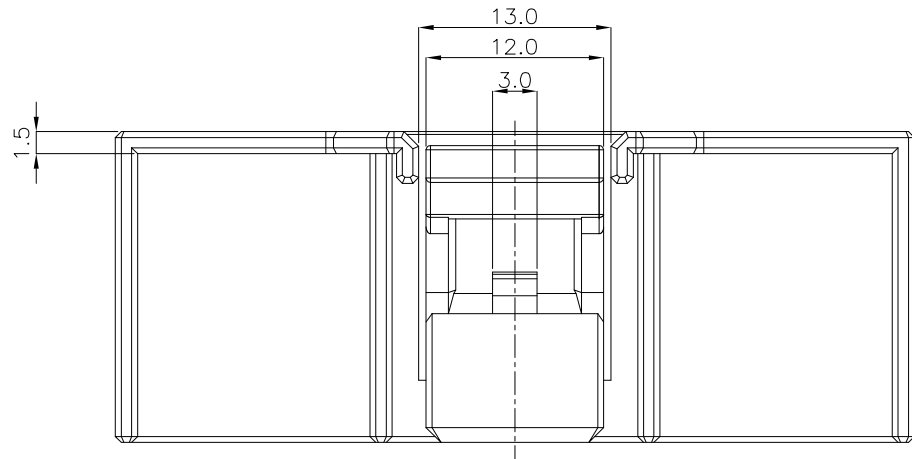
RELEASED FOR PUBLICATION

© COPYRIGHT

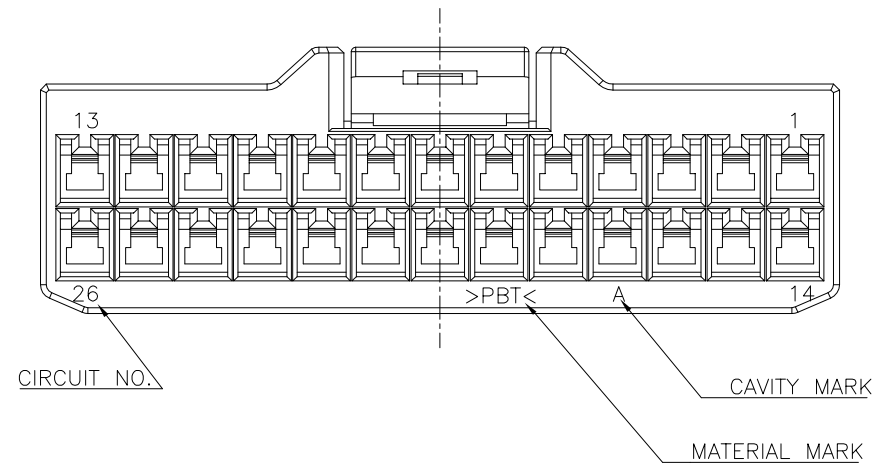
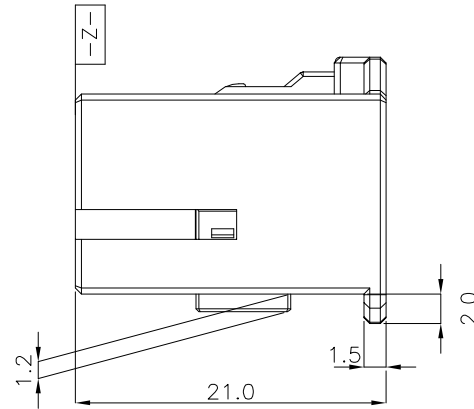
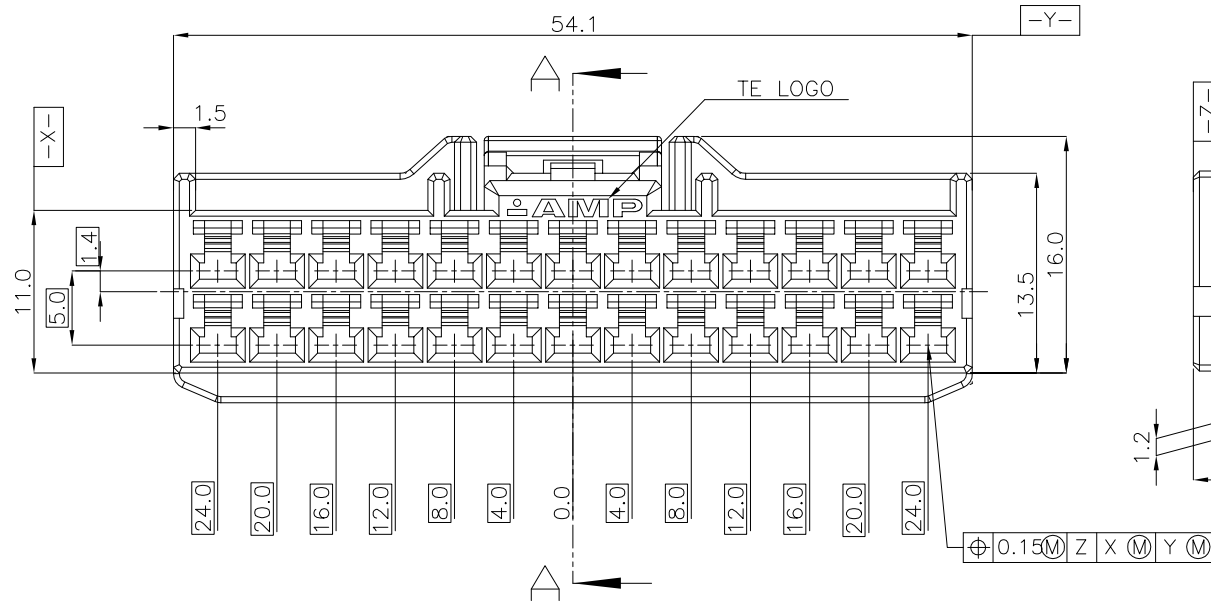
BY TYCO ELECTRONICS CORPORATION, ALL RIGHTS RESERVED.

REVISIONS

P	LTR	DESCRIPTION	DATE	DWN	APVD
	C	REVISED (ECR-06-023180)	09.OCT.'06	BS	JK
	C1	REVISED (ECR-09-005043)	24.MAR.'09	KT	HG
	D	REVISED (ECR-13-017255)	12.NOV.'13	JM	HG



SECTION A-A



ASSY P/N	0-936098-8	0-936098-7	0-936098-6	0-936098-5	0-936098-4	0-936098-3	0-936098-2	0-936098-1
1		1	1	1	1	1	1	1

NO	COLOR	MATERIAL	DESCRIPTION	P/N	QTY
1	BLUE	PBT	PLUG	0-936099-8	1
	GREEN	PBT	PLUG	0-936099-7	1
	RED	PBT	PLUG	0-936099-6	1
	YELLOW	PBT	PLUG	0-936099-5	1
	BROWN	PBT	PLUG	0-936099-4	1
	D/GRAY	PBT	PLUG	0-936099-3	1
	BLACK	PBT	PLUG	0-936099-2	1
	NATURAL	PBT	PLUG	0-936099-1	1
2	NATURAL	PBT	DBL	0-936100-1	1 1 1 1 1 1 1 1 1

NOTES.

- THE MATING HSG. P/N ; 936133
- APPLIED CONTACT P/N ;  
090 II REC. - 368083, 368084, 368085  
090 III REC. - 1743654, 1743655, 1743656, 1897753, 1897598

-추가-

- 상대 하우징 P/N. ; 936133
- 적용단자 P/N. ; 090 II REC.- 368083,368084,368085  
090 III REC.- 1743654,1743655,1743656,1897753,1897598

THIS DRAWING IS A CONTROLLED DOCUMENT FOR TYCO ELECTRONICS CORPORATION IT IS SUBJECT TO CHANGE AND THE CONTROLLING ENGINEERING ORGANIZATION SHOULD BE CONTACTED FOR THE LATEST REVISION.

DIMENSIONS: MM	TOLERANCES UNLESS OTHERWISE SPECIFIED: 0 <XX<10 ± 0.2 10<XX<30 ± 0.25 30<XX ± 0.3 ANGLES ± 3°
MATERIAL	FINISH
SEE TABLE	

DWN JM JEON  
CHK JW JUNG  
APVD HG CHD  
PRODUCT SPEC -  
APPLICATION SPEC -  
WEIGHT -

**TE** TE Connectivity

NAME: 090III 26P PLUG ASS'Y

SIZE: A3 CAGE CODE: 00779 DRAWING NO: C-936098 RESTRICTED TO: -

CUSTOMER DRAWING SCALE: 2/1 SHEET: 1 OF 1 REV: D