

1 2 3 4 5 6 7 8

A

B

C

D

E

F

A

B

C

D

E

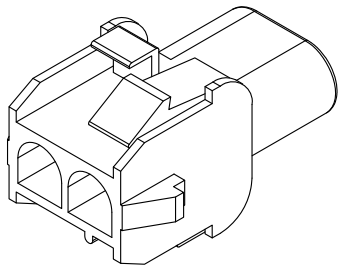
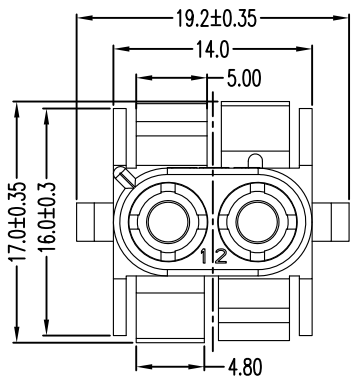
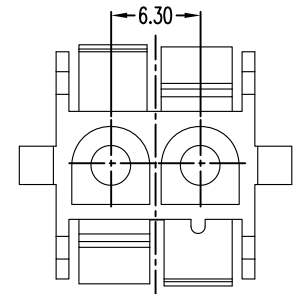
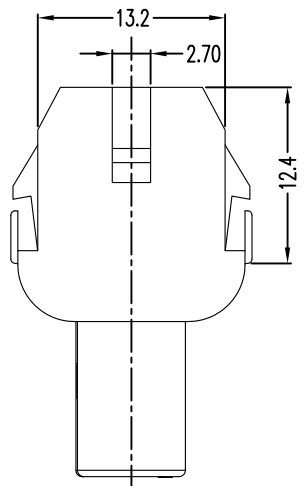
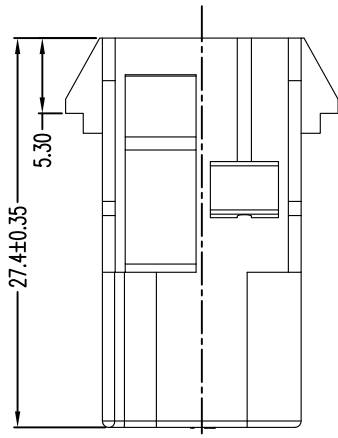
F

Specifications :

- Voltage rating: 600V AC / DC
- Current rating: 15A AC / DC
- Withstanding voltage: 5000V AC/minute
- Temperature range: -25°C~+85°C
- Insulation resistance: ≥1000MΩ
- Contact resistance: ≤3.5mΩ
- After environmental testing: ≤10mΩ

X9635 H F- XX N0

- ① Series No.
 ② Category: H-HSG
 ③ Appearance type: F-Female Housing
 ④ Row No.-Pin No.: XX-Single Row (02~10P)
 ⑤ Material : N0-PA66 94V-0



X9635HF-XX-N0	Nylon 66 UL 94V-0	X9635TF	X9635HF
PART NO	Material	Suitable XKB Terminal	Suitable XKB Terminal

For and on behalf of
XKB INDUSTRIAL PRECISION CO., LIMITED
 香港星坤工業精密有限公司

△ X					ANGULAR	±5°
△ X					L ≤ 4	±0.2
△ X					4 < L ≤ 16	±0.3
MARK	DESCRIPTION	DATE	REVISED	APPROVED	16 < L ≤ 63	±0.4
					L > 63	±0.5
					UNSPECIFIED TOLERANCES	

DSND		DATE		SCALE: N/A	MODEL TYPE: X9635HF-XX-N0		
DWN		DATE		VIEW:	PART NO.:		
CHKD		DATE		UNIT: mm	6.35mm Crimp Style Connectors		
APPD		DATE		SIZE: A4	DWG NO.:		
					WEIGHT	SHEET	REVISION
					1.0g	1/1	A0

XKB INDUSTRIAL PRECISION CO., LIMITED

1 2 3 4 5 6 7 8