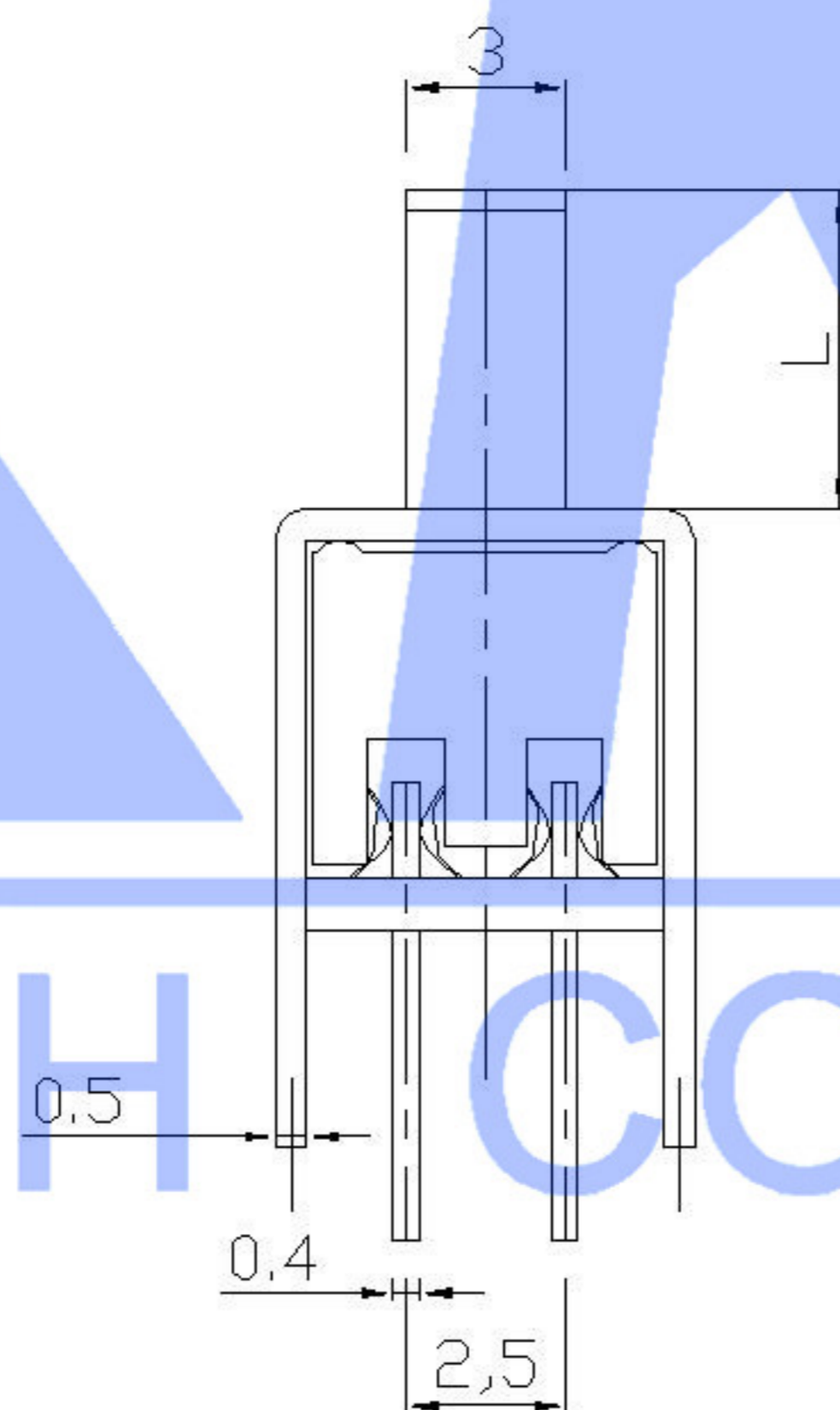
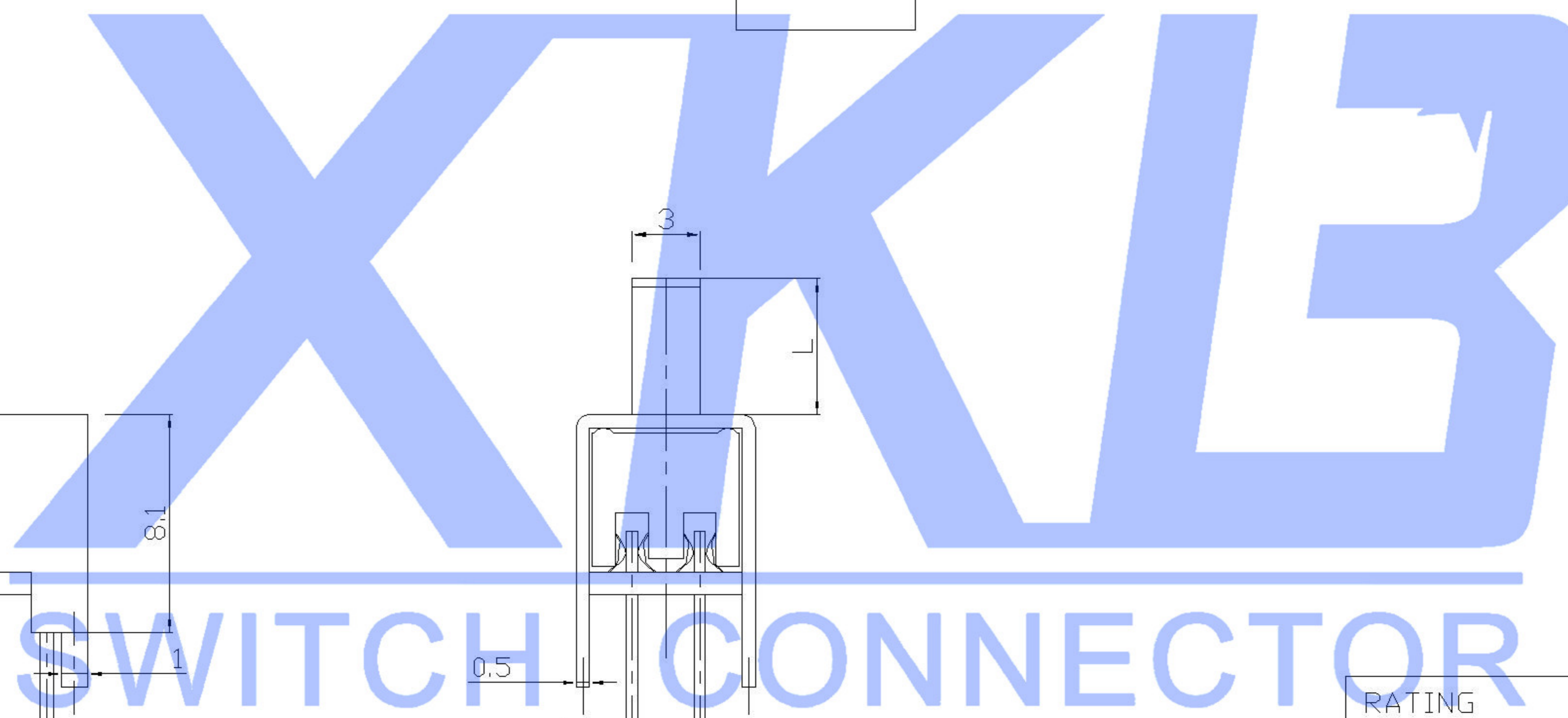
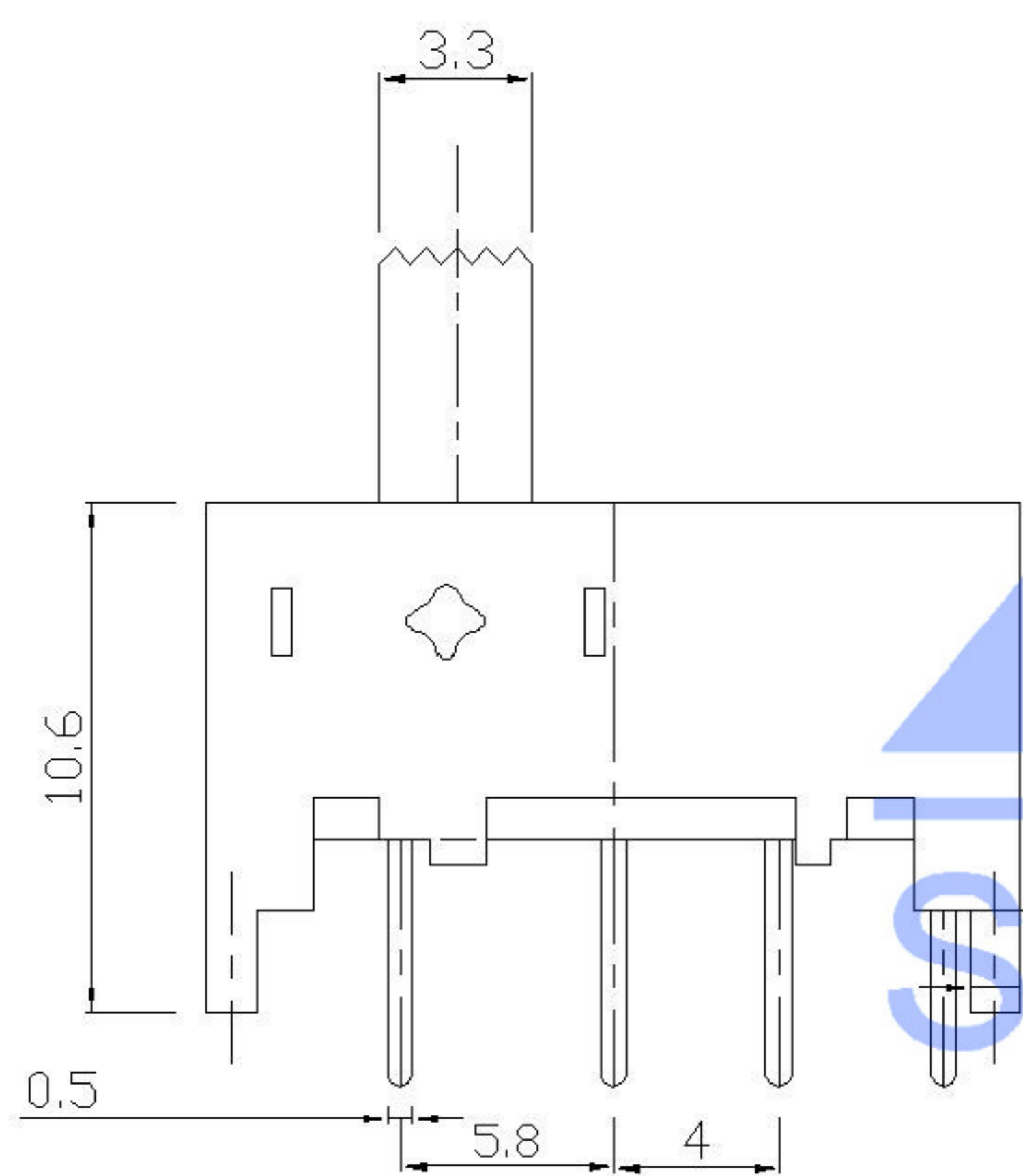


MODEL CODE

SS-23H38-X

L (mm)  
2 ~ 10



RATING	0.3A 50V DC
CIRCUIT	1P2T
CONTACT RESISTANCE	100m MAX.
TRAVEL	2mm
OPERATING FORCE	250±100gf
OPERATING LIFE(cycles)	10,000

					ANGLAR	±5°	DSND		DATE		SCALE: N/A	MODEL TYPE: SLIDE SWITCH		
ΔX					$L \leq 4$	±0.2	DWN		DATE		VIEW:	PART NO.: SS-23H38		
ΔX					$4 < L \leq 16$	±0.3	CHKD		DATE		UNIT: mm	DWG NO.: SS-23H38-X		
ΔX					$16 < L \leq 63$	±0.4	APPD		DATE		SIZE: A4			
MARK	DESCRIPTION	DATE	REVISED	APPROVED	$L > 63$	±0.5						WEIGHT	SHEET	REVISION
					UNSPECIFIED TOLERANCES		XKB INDUSTRIAL PRECISION CO.,LIMITED					1.0g	1/1	A0
					www.xk-dg.cn www.1k0k.com www.1k0k.cn									