

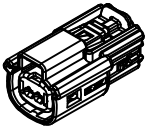
TABLE OF CONTENTS	
SHEET NO.	SHEET DESCRIPTION
1	NOTES AND BOM
2	CONFIGURATIONS
3-4	KEY CONFIGURATIONS
5	RECEPTACLE CONNECTOR ASSEMBLY
6	BACKSHELL NOTES
7	BACKSHELL
8	BACKSHELL CONFIGURATIONS

NOTES: VALID UNLESS OTHERWISE SPECIFIED

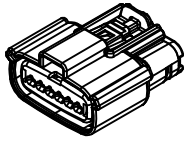
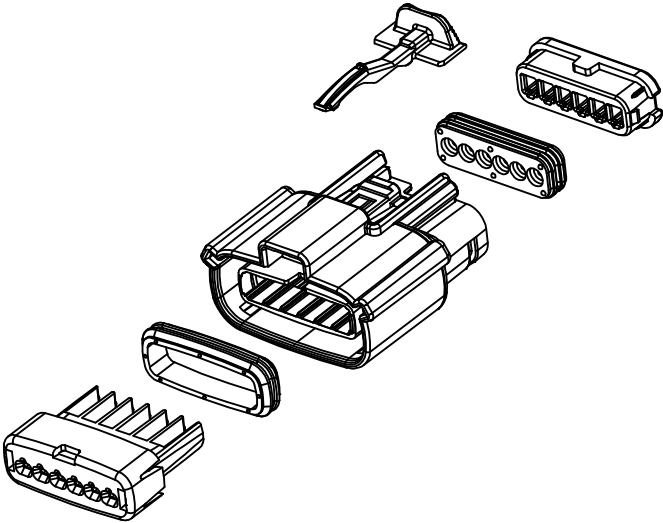
1. GENERAL:
- a. APPLICATION SPECIFICATION SEE: AS-33472-100
 -CONTAINS: PRODUCT INTRODUCTION, PRODUCT SUMMARY, CONNECTOR ASSEMBLY, PACKAGING INFORMATION, CONNECTOR MATING, SERVICE INSTRUCTIONS, ELECTRICAL CONTINUITY CHECKING, CRIMPING, AND TROUBLESHOOTING.
 -DESIGNED TO MATE WITH DEVICE OR CONNECTOR AS SPECIFIED IN THE MATING INTERFACE/CONNECTOR DRAWINGS CHART.
 *DENOTES DRAWINGS THAT CAN BE ACCESSED AT <http://ewcap.uscarteams.org/>.
 -ASSEMBLY SHIPPED WITH PLR IN PRE-LOCK POSITION (SEE PLR PRE-LOCK VIEW SHEET 5).
- b. PRODUCT SPECIFICATION SEE:
 -STANDARD CONFIGURATION: PS-33471-000
 -UL V0 CONFIGURATION: PS-160105-0001
 CONTAINS: PRODUCT INTRODUCTION, PRODUCT SUMMARY, RATINGS (CURRENT, TEMPERATURE, SEALING, AND FLAMMABILITY), TERMINALS, WIRE DIAMETER RANGE, PRODUCT VALIDATION, AND PRODUCT DEVIATIONS.
- c. PACKAGING SPECIFICATION PER MOLEX DRAWING; SEE PACKAGING CHART
- d. PARTS MUST BE IN COMPLIANCE TO MOLEX CHEMICAL SUBSTANCES FOR PRODUCTS AND PACKAGING SPECIFICATION: OEHS-699000-301
- e. DATA MUST BE SUBMITTED UNDER THE MOLEX PART NUMBER TO IMDS (COMPANY ID#13255)
2. DESIGN - MATERIALS:
- a. FOR BILL OF MATERIALS SEE:
 -STANDARD CONFIGURATION SD-33471-0002
 -UL V0 CONFIGURATION SD-160105-0002
3. DESIGN - GEOMETRY:
- a. THE 3-D CAD DATA IS BASIC (WITHOUT TOLERANCE) AND MASTER FOR THIS PART WITH THE EXCEPTION OF UNDERLINED DIMENSIONS. DIMENSIONAL INFORMATION NOT SHOWN ON THIS DRAWING IS DEFINED BY THE DATA FILE AT ITS LATEST REVISION.
- b. GEOMETRIC DIMENSIONS AND TOLERANCES PER ASME Y14.5M-2009
- c. EDGES AND UNDIMENSIONED DETAILS PER ISO13715
- d. CORNERS SHOWN AS SHARP TO BE R 0.2 MAX.
- e. LETTERING SHALL BE 0.15 MAX RAISED IN 0.25 MAX RECESS PAD. THIS INCLUDES RECYCLING CODE, CAVITY ID, VENDOR IDENTIFICATION, AND CUSTOMER MATERIAL NUMBER.
- f. VISUAL DEFECTS SHALL MEET COSMETIC STANDARD PS-45499-002 (Class B).
- g. LASER MARKING:
 1. PART NUMBER
 2. DAY OF THE YEAR
 3. SHIFT
 4. YEAR
 FOR ADDITIONAL INFORMATION SEE SECTION 5 UNDER PROCEDURES IN ES-34735-008.

PACKAGING	
DESCRIPTION	DRAWING NO.
1X2	PK-31300-635
1X6	PK-31300-903

MATING INTERFACE/CONNECTOR DRAWINGS		
DESCRIPTION	INTERFACE DEFINITION	MOLEX INLINE
1X2	*150-S-002-1-Z05	SD-33481-0001
1X6	*150-S-006-1-Z03	SD-33481-0001



1x2

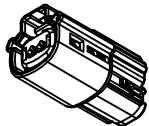


1x6

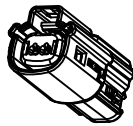
INSPECTION NUMBER LOG	2	MINOR GEOMETRY CHANGE FOR UL V0
LAST NUMBER: 11	1	UPDATE VIEWSETS
ADDED: 11		INITIAL RELEASE
REMOVED:		

ENTER DESCRIPTION EEC NO: UAU2016-1641 DRWN:BTANG 2016/05/10 CHKD: APPR:KDEKOSKI 2016/06/14 REV: A	QUALITY SYMBOLS	GENERAL TOLERANCES (UNLESS SPECIFIED)	DIMENSION STYLE	DRAWN BY	DATE	TITLE
	▽=0	4 PLACES ± --- ± ---	MM ONLY	APPROFIT T	2015/11/04	MX150 RCPT SINGLE ROW SEALED ASSY MAT SEAL molex DOCUMENT NO. SD-33471-0001 SHEET NO. 1 OF 8
	▽=0	3 PLACES ± --- ± ---		CHECKED BY	DATE	
	▽=0	2 PLACES ± 0.10 ± ---		APPROVED BY	DATE	
▽=0	1 PLACE ± 0.2 ± ---		KDEKOSKI	2016/06/14		
	0 PLACE ± --- ± ---	ANGULAR ± 1 °	SEE NOTE 2a.	MATERIAL NO.		
		DRAFT WHERE APPLICABLE MUST REMAIN WITHIN DIMENSIONS	THIS DRAWING CONTAINS INFORMATION THAT IS PROPRIETARY TO MOLEX AND SHOULD NOT BE USED WITHOUT WRITTEN PERMISSION			

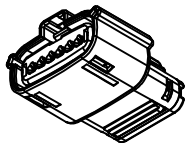
SHEET DESCRIPTION
CONFIGURATIONS



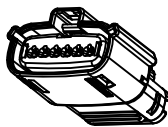
1x2 - STD



1x2 - UL V0*



1x6 - STD



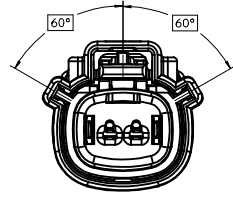
1x6 - UL V0*

*MINOR GEOMETRY DIFFERENCE THAN STANDARD CONFIGURATION
SEE NOTES 1 & 2 FOR MORE INFORMATION

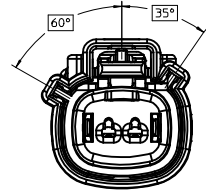
ENTER DESCRIPTION EC NO: UAU2016-1641 DRAWN BY: DRW:NB/TANG CHKD: APPR:KDEKOSKI DATE: 2016/06/14 REV: A	QUALITY SYMBOLS ▽=0 ▽=0 ▽=0	GENERAL TOLERANCES (UNLESS SPECIFIED) mm INCH 4 PLACES ± --- ± --- 3 PLACES ± --- ± --- 2 PLACES ± 0.10 ± --- 1 PLACE ± 0.2 ± --- 0 PLACE ± --- ± --- ANGULAR ± 1 °	DIMENSION STYLE MM ONLY DRAWN BY: APROFF/ITT DATE: 2015/11/04 CHECKED BY: DATE: APPROVED BY: KDEKOSKI DATE: 2016/06/14 MATERIAL NO.	SCALE: 1.5:1 DESIGN UNITS: METRIC THIRD ANGLE PROJECTION	TITLE: MX150 RCPT SINGLE ROW SEALED ASSY MAT SEAL molex	DOCUMENT NO. SD-33471-0001	SHEET NO. 2 OF 8	
	DRAFT WHERE APPLICABLE MUST REMAIN WITHIN DIMENSIONS		SEE NOTE 2a.	THIS DRAWING CONTAINS INFORMATION THAT IS PROPRIETARY TO MOLEX INCORPORATED AND SHOULD NOT BE USED WITHOUT WRITTEN PERMISSION				
	SIZE: 1							

SHEET DESCRIPTION
KEY CONFIGURATIONS

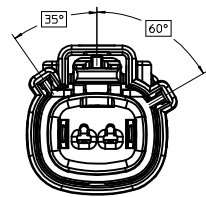
1X2



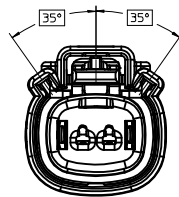
KEY A



KEY B



KEY C

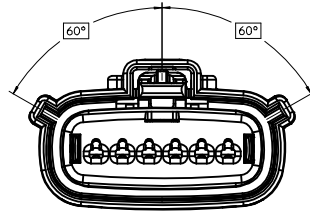


KEY D

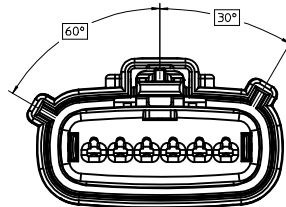
ENTER DESCRIPTION EEC NO: UAI2016-1641 DRWN:BTANG 2016/05/10 CHKD: APPR:KDEKOSKI 2016/06/14	QUALITY SYMBOLS ▽=0 ▽=0 ▽=0	GENERAL TOLERANCES (UNLESS SPECIFIED)		DIMENSION STYLE MM ONLY		SCALE 3:1	DESIGN UNITS METRIC	THIRD ANGLE PROJECTION	
		4 PLACES ± --- ± ---	mm	INCH	DRAWN BY APPROFIT	DATE 2015/11/04	TITLE MX150 RCPT SINGLE ROW SEALED ASSY MAT SEAL		
		3 PLACES ± --- ± ---			CHECKED BY	DATE	APPROVED BY KDEKOSKI		
		2 PLACES ± 0.10 ± ---			APPROVED BY KDEKOSKI	DATE 2016/06/14	MATERIAL NO.	DOCUMENT NO. SD-33471-0001	SHEET NO. 3 OF 8
1 PLACE ± 0.2 ± ---			DRAFT WHERE APPLICABLE MUST REMAIN WITHIN DIMENSIONS		SEE NOTE 2a.		THIS DRAWING CONTAINS INFORMATION THAT IS PROPRIETARY TO MOLEX INCORPORATED AND SHOULD NOT BE USED WITHOUT WRITTEN PERMISSION		
0 PLACE ± --- ± ---			ANGULAR ± 1 °		SIZE A 1				

SHEET DESCRIPTION
KEY CONFIGURATIONS CONT.

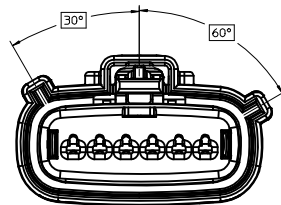
1X6



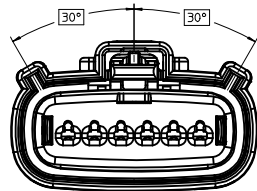
KEY A



KEY B



KEY C



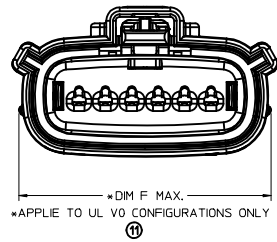
KEY D

ENTER DESCRIPTION EC NO: UAU2016-1641 DWN:ABTANG 2016/05/10 CHKD: APPR:KDEKOSKI 2016/06/14 A	QUALITY SYMBOLS ▽=0 ▽=0 ▽=0	GENERAL TOLERANCES (UNLESS SPECIFIED)		DIMENSION STYLE MM ONLY		SCALE 3:1	DESIGN UNITS METRIC	THIRD ANGLE PROJECTION	
		4 PLACES ± --- ± --- 3 PLACES ± --- ± --- 2 PLACES ± 0.10 ± --- 1 PLACE ± 0.2 ± --- 0 PLACE ± --- ± ---	mm INCH ± --- ± --- ± 0.10 ± --- ± 0.2 ± --- ± --- ± ---	DRAWN BY APPROFFITT	DATE 2015/11/04	TITLE MX150 RCPT SINGLE ROW SEALED ASSY MAT SEAL			
		ANGULAR ± 1 ° DRAFT WHERE APPLICABLE MUST REMAIN WITHIN DIMENSIONS		APPROVED BY KDEKOSKI	DATE 2016/06/14	MATERIAL NO. SEE NOTE 2a.		DOCUMENT NO. SD-33471-0001	SHEET NO. 4 OF 8
		THIS DRAWING CONTAINS INFORMATION THAT IS PROPRIETARY TO MOLEX INCORPORATED AND SHOULD NOT BE USED WITHOUT WRITTEN PERMISSION							

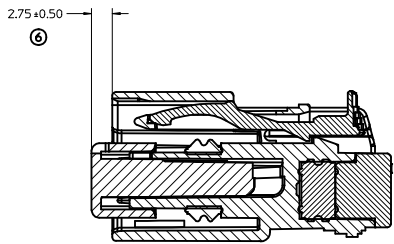
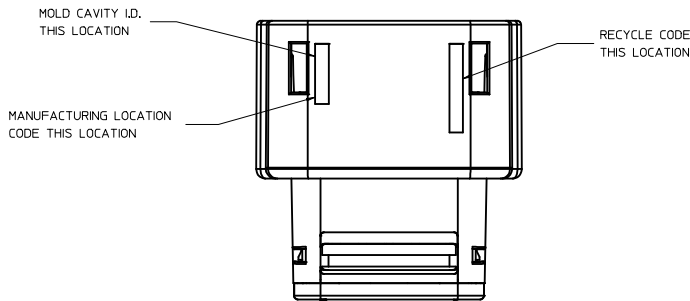
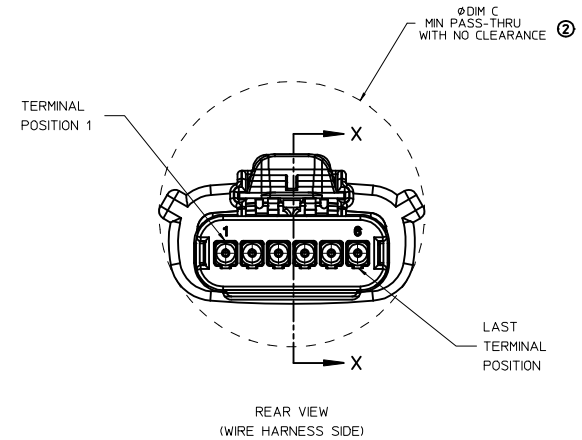
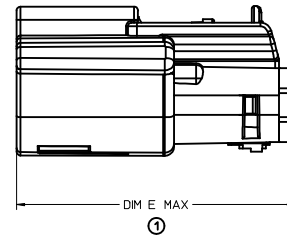
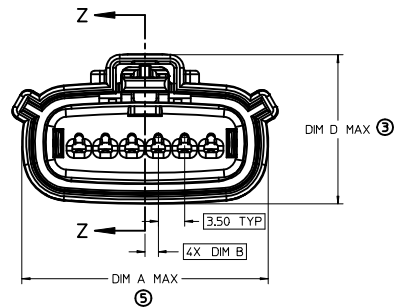
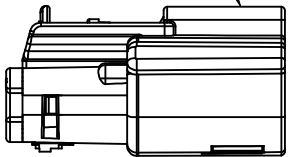
SHEET DESCRIPTION

RECEPTACLE CONNECTOR ASSEMBLY - STD

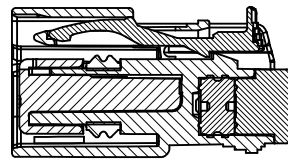
CHARTED DIMENSIONS						
DESCRIPTION	DIMENSIONS					
	A	B	C	D	E	F
1X2	19.40	1.75	21.73	20.55	37.65	19.64
1X6	32.75	1.75	35.21	19.90	37.65	N/A
1X6 UL V0	N/A	1.75	35.23	19.90	37.65	33.64



LASER MARKING ON THIS SURFACE
SEE NOTE 3g.



PRIMARY LOCK REINFORCEMENT (PLR) SHOWN
IN PRE-STAGED POSITION
SECTION Z-Z



PRIMARY LOCK REINFORCEMENT (PLR) SHOWN
IN FINAL-LOCK POSITION
SECTION X-X

ENTER DESCRIPTION IEC NO: UAU2016-1641 DRYNABTANG 2016/05/10 CHYK: APPR:KDEKOSKI 2016/06/14	QUALITY SYMBOLS	GENERAL TOLERANCES (UNLESS SPECIFIED)	DIMENSION STYLE	SCALE	DESIGN UNITS	THIRD ANGLE PROJECTION
	▽=0	4 PLACES ± --- ± ---	MM ONLY	3:1	METRIC	☉
	▽=0.1	3 PLACES ± --- ± ---				
	▽=0.2	2 PLACES ± 0.10 ± ---				
▽=0.5	1 PLACE ± 0.2 ± ---	ANGULAR ± 1°				
	0 PLACE ± --- ± ---	DRAFT WHERE APPLICABLE MUST REMAIN WITHIN DIMENSIONS	SEE NOTE 2a.			
			MATERIAL NO.	DOCUMENT NO.		
			SEE NOTE 2a.	SD-33471-0001		
			THIS DRAWING CONTAINS INFORMATION THAT IS PROPRIETARY TO MOLEX INCORPORATED AND SHOULD NOT BE USED WITHOUT WRITTEN PERMISSION			

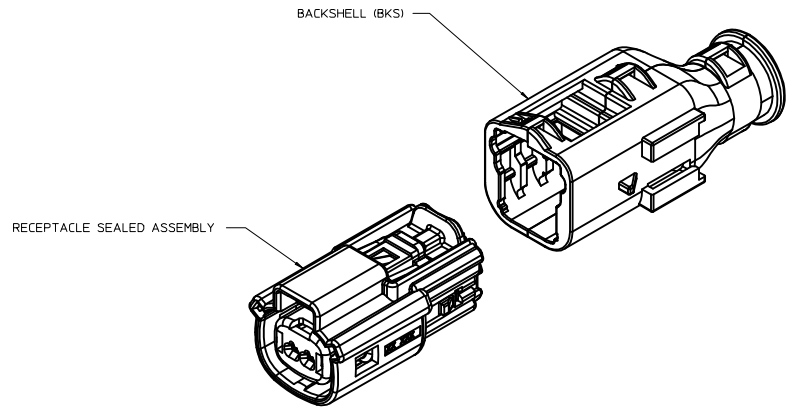
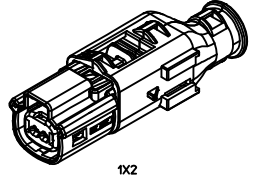
SHEET DESCRIPTION
BACKSHELL NOTES

BACKSHELL NOTES: VALID UNLESS OTHERWISE SPECIFIED

1. GENERAL:
 a. APPLICATION SPECIFICATION SEE: AS-34951-001
 -DESIGNED TO MATE WITH RECEPTACLE SEALED ASSEMBLY SPECIFIED IN MOLEX DRAWING SD-33471-0001.
 -SYSTEM TO BE USED WITH WIRE WITHIN DIAMETER RANGE OF 1.2mm TO 2.69mm.
 -COMPONENTS ARE OPTIONAL AND MUST BE PURCHASED SEPERATELY.
 -BACKSHELL DESIGN IS OWNED BY SCHLEMMER.
 -FOR ADDITIONAL INFORMATION SEE THE BACKSHELL COMPONENT DRAWING SD-34949-0001.

BACKSHELL CUSTOMER MODEL NUMBER LEGEND

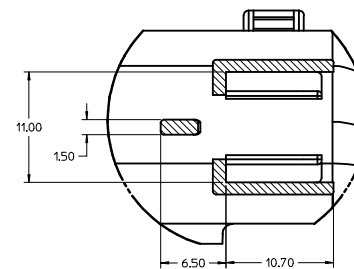
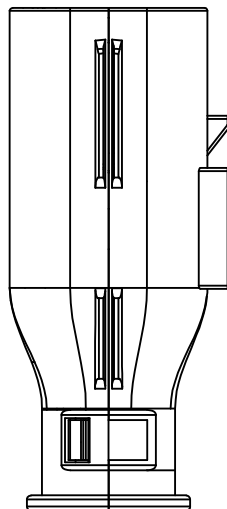
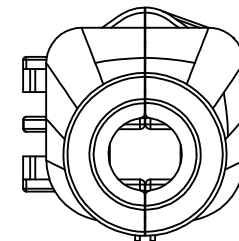
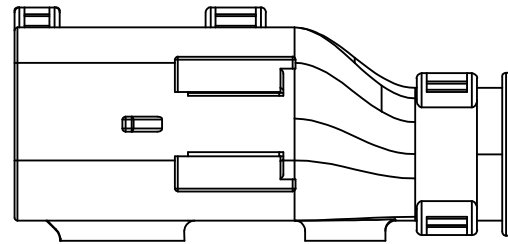
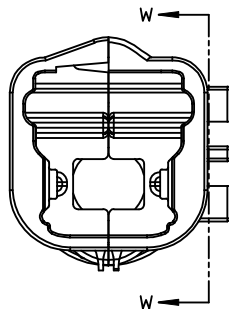
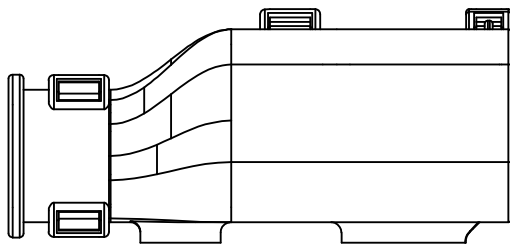
- 34949-XXXX
- CUSTOMER MODEL COMPONENTS
 - 0 - BACKSHELL ONLY
 - 1 - BACKSHELL & MX150 HOUSING KEY A ASSEMBLY
 - 2 - BACKSHELL & MX150 HOUSING KEY B ASSEMBLY
 - 3 - BACKSHELL & MX150 HOUSING KEY C ASSEMBLY
 - 4 - BACKSHELL & MX150 HOUSING KEY D ASSEMBLY
 - BACKSHELL FEATURES
 - 1 - WITH RIBS
 - 2 - WITHOUT RIBS
 - MX150 CIRCUIT SIZE 02, 03, 04, 05, 06



ENTER DESCRIPTION EC NO: UAUZ016-1641 DRWNR:BIANG CHKD: APPR:KDEKOSKI 2016/06/14 2016/06/14	QUALITY SYMBOLS	GENERAL TOLERANCES (UNLESS SPECIFIED)		DIMENSION STYLE MM ONLY		SCALE 4:1	DESIGN UNITS METRIC	THIRD ANGLE PROJECTION
	▽=0	4 PLACES ± --- ± ---	mm	INCH	DRAWN BY DATE	TITLE		
	▽=0	3 PLACES ± --- ± ---			APPROFIT 2015/11/04	MX150 RCPT SINGLE ROW SEALED ASSY MAT SEAL		
	▽=0	2 PLACES ± 0.10 ± ---			CHECKED BY DATE	molex DOCUMENT NO. SD-33471-0001 SHEET NO. 6 OF 8		
▽=0	1 PLACE ± 0.2 ± ---			APPROVED BY DATE				
		0 PLACE ± --- ± ---			KDEKOSKI 2016/06/14			
		ANGULAR ± 1 °		MATERIAL NO.		SEE NOTE 2a.		
		DRAFT WHERE APPLICABLE MUST REMAIN WITHIN DIMENSIONS		SIZE 1		THIS DRAWING CONTAINS INFORMATION THAT IS PROPRIETARY TO MOLEX INCORPORATED AND SHOULD NOT BE USED WITHOUT WRITTEN PERMISSION		

SHEET DESCRIPTION

BACKSHELL

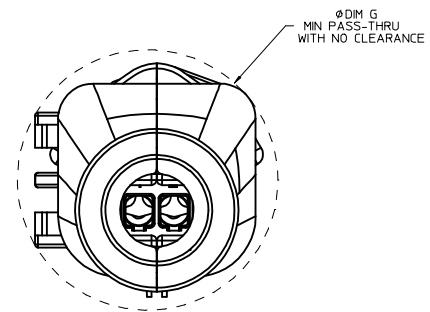
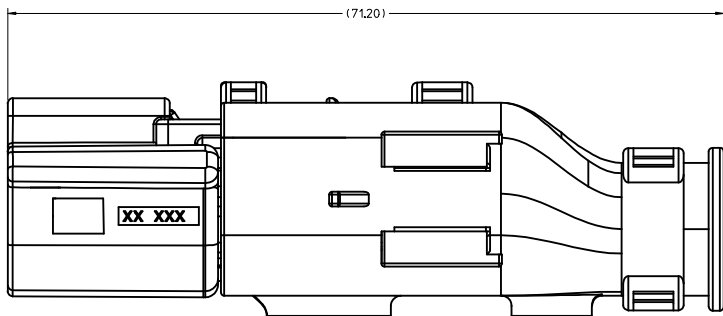


Partial W-W
SCALE 4:1

ENTER DESCRIPTION EC NO: UA02016-1641 DRWN: BTANG 2016/05/10 CHKD: APPR: KDEKOSKI 2016/06/14	QUALITY SYMBOLS ∇=0 ∇=0 ∇=0 ∇=0	GENERAL TOLERANCES (UNLESS SPECIFIED)		DIMENSION STYLE MM ONLY	SCALE 4:1	DESIGN UNITS METRIC	THIRD ANGLE PROJECTION		
		4 PLACES ± --- ± --- 3 PLACES ± --- ± --- 2 PLACES ± 0.10 ± --- 1 PLACE ± 0.2 ± --- 0 PLACE ± --- ± ---	mm INCH	DRAWN BY DATE APPROFIT 2015/11/04	CHECKED BY DATE	TITLE MX150 RCPT SINGLE ROW SEALED ASSY MAT SEAL			
		ANGULAR ± 1° DRAFT WHERE APPLICABLE MUST REMAIN WITHIN DIMENSIONS		APPROVED BY DATE KDEKOSKI 2016/06/14	MATERIAL NO. SEE NOTE 2a.	DOCUMENT NO. SD-33471-0001	SHEET NO. 7 OF 8		
		THIS DRAWING CONTAINS INFORMATION THAT IS PROPRIETARY TO MOLEX INCORPORATED AND SHOULD NOT BE USED WITHOUT WRITTEN PERMISSION							

SHEET DESCRIPTION
BACKSHELL CONFIGURATIONS

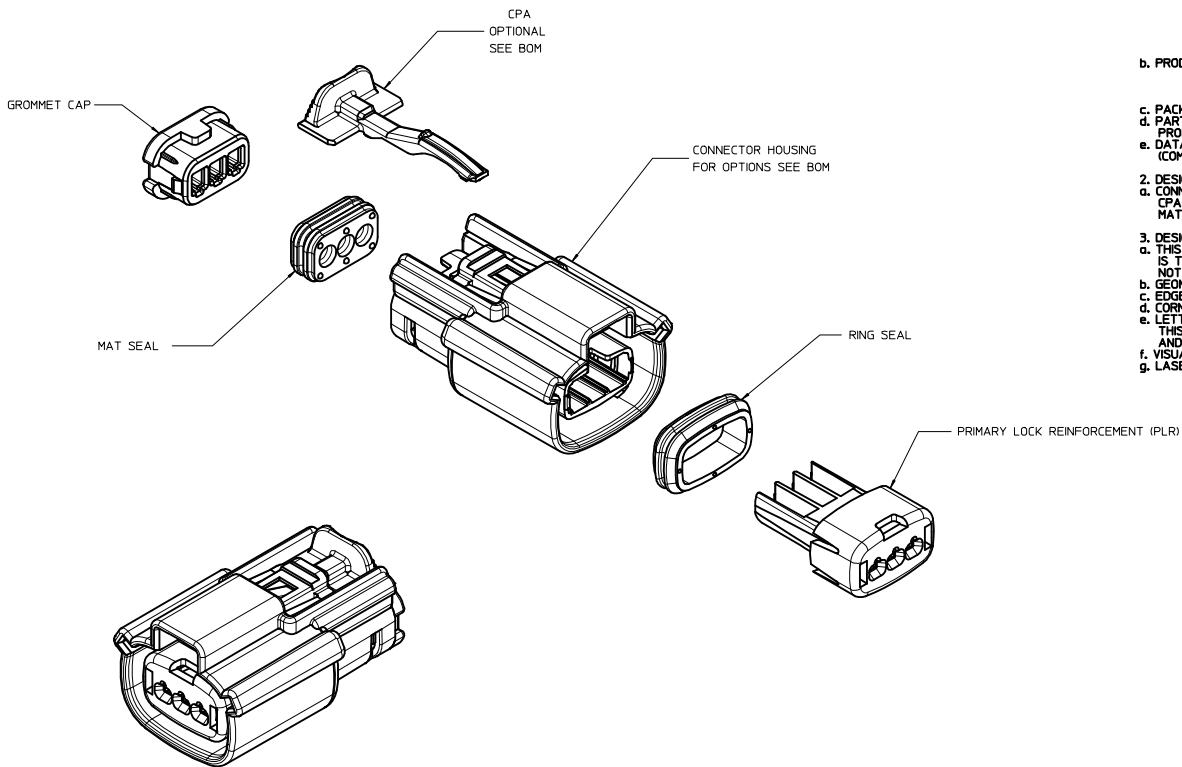
CHARTED DIMENSIONS	
DESCRIPTION	DIMENSIONS
1X2	G
	26.00



RECEPTACLE SEALED ASSEMBLY WITH RECEPTACLE BACKSHELL

ENTER DESCRIPTION EC NO: UAU2016-1641 DRWN: BTANG 2016/05/10 CHKD: A APPR: KDEKOSKI 2016/06/14	QUALITY SYMBOLS ∇=0 ∇=0 ∇=0 ∇=0	GENERAL TOLERANCES (UNLESS SPECIFIED)		DIMENSION STYLE MM ONLY		SCALE 4:1	DESIGN UNITS METRIC	THIRD ANGLE PROJECTION
		4 PLACES ± --- ± --- 3 PLACES ± --- ± --- 2 PLACES ± 0.10 ± --- 1 PLACE ± 0.2 ± --- 0 PLACE ± --- ± ---	mm INCH	DRAWN BY APPROFFITT DATE 2015/11/04	CHECKED BY DATE	TITLE MX150 RCPT SINGLE ROW SEALED ASSY MAT SEAL		
		ANGULAR ± 1 °		APPROVED BY KDEKOSKI DATE 2016/06/14	MATERIAL NO. SEE NOTE 2a.		DOCUMENT NO. SD-33471-0001	SHEET NO. 8 OF 8
		DRAFT WHERE APPLICABLE MUST REMAIN WITHIN DIMENSIONS		THIS DRAWING CONTAINS INFORMATION THAT IS PROPRIETARY TO MOLEX INCORPORATED AND SHOULD NOT BE USED WITHOUT WRITTEN PERMISSION				

TABLE OF CONTENTS	
SHEET NO.	SHEET DESCRIPTION
1	NOTES
2	KEY CONFIGURATIONS
3	RECEPTACLE SEALED ASSEMBLY
4	BACKSHELL NOTES
5	BACKSHELL
6	BACKSHELL CONFIGURATION
7	BOM



NOTES: VALID UNLESS OTHERWISE SPECIFIED

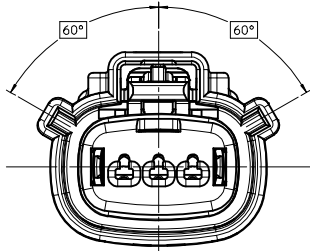
1. GENERAL:
 - a. APPLICATION SPECIFICATION SEE: AS-33472-100
 - CONTAINS: PRODUCT INTRODUCTION, PRODUCT SUMMARY, CONNECTOR ASSEMBLY, PACKAGING INFORMATION, CONNECTOR MATING, SERVICE INSTRUCTIONS, ELECTRICAL CONTINUITY CHECKING, CRIMPING, AND TROUBLESHOOTING.
 - DESIGNED TO MATE WITH DEVICE CONNECTION AS SPECIFIED IN DRAWING EWCAP 150-S-003-1-205, AVAILABLE AT http://ewcap.uscarteams.org/.
 - DESIGNED TO MATE WITH BLADE SEALED ASSEMBLY AS SPECIFIED IN DRAWING SD-33481-031
 - FOR 15mm RECEPTACLE TERMINALS TO BE USED WITH THIS ASSEMBLY. SEE MOLEX DRAWING SD-33042-002.
 - SYSTEM TO BE USED WITH WIRE WITHIN DIAMETER RANGE OF 1.2 mm TO 2.69 mm.
 - ASSEMBLY SHIPPED WITH PLR AND CPA IN PRE-LOCK POSITION (SEE SECTION Z-Z PRE-LOCK).
 - IN THE EVENT THAT THE PLR IS FOUND IN THE SEATED (FINAL LOCK) POSITION, REFER TO MOLEX SPECIFICATION PS-34646-001, AVAILABLE AT www.molex.com -<http://www.molex.com>.
 - ASSEMBLY CONFORMS TO SAE/USCAR-2 REV.4 WITH THE FOLLOWING EXCEPTIONS: ENGAGEMENT FORCE TO MOVE CPA FROM PRE-LOCK TO FINAL LOCK POSITION WHEN UNMATED: 40N MIN; DISENGAGEMENT FORCE TO MOVE CPA FROM FINAL LOCK TO PRE-LOCK POSITION: 3N MIN, 40N MAX
 - TERMINAL INSERTION FORCE FOR WIRE DIAMETER ABOVE 2.5mm NOT EXCEEDING 2.69mm SHALL NOT EXCEED 40 NEWTONS.
 - b. PRODUCT SPECIFICATION SEE: PS-33471-000
 - CONTAINS: PRODUCT INTRODUCTION, PRODUCT SUMMARY, RATINGS (CURRENT, TEMPERATURE, SEALING, AND FLAMMABILITY), AND PRODUCT VALIDATION.
 - c. PACKAGING SPECIFICATION PER MOLEX DRAWING: PK-31300-635
 - d. PARTS MUST BE IN COMPLIANCE TO MOLEX CHEMICAL SUBSTANCES FOR PRODUCTS AND PACKAGING SPECIFICATION: ES-40000-5046
 - e. DATA MUST BE SUBMITTED UNDER THE MOLEX PART NUMBER TO IMDS (COMPANY ID#13255)
2. DESIGN - MATERIALS:
 - a. CONNECTOR HOUSING, GROMMET CAP, PLR: SPS/NYLON BLEND 20% GLASS FILLED
 - CPA: PBT 20% GLASS FILLED
 - MAT SEAL, RING SEAL: INHERENTLY LUBRICATED SILICONE
3. DESIGN - GEOMETRY:
 - a. THIS IS A 100% CAD GENERATED PART. THE CAD MATHEMATICAL DATA IS THE MASTER FOR THIS PART. FOR DIMENSIONAL OR ANY INFORMATION NOT SHOWN ON THIS DRAWING, ANALYZE THE CAD MODEL.
 - b. GEOMETRIC DIMENSIONS AND TOLERANCES PER ASME Y14.5M - 1994
 - c. EDGES AND UNDIMENSIONED DETAILS PER ISO13715
 - d. CORNERS SHOWN AS SHARP TO BE R 0.2 MAX.
 - e. LETTERING SHALL BE 0.15 MAX RAISED IN 0.25 MAX RECESS PAD. THIS INCLUDES RECYCLING CODE, CAVITY ID, VENDOR IDENTIFICATION, AND CUSTOMER MATERIAL NUMBER.
 - f. VISUAL DEFECTS SHALL MEET COSMETIC STANDARD PS-45499-002 (Class B)
 - g. LASER MARKING: TBD

INSPECTION NUMBER LOG
 LAST NUMBER USED: 5
 ADDED:
 REMOVED:

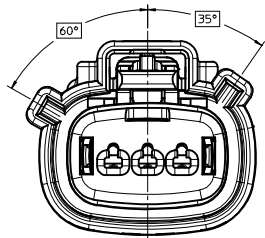
REV	DESCRIPTION
Q7	ADD NEW P/NS 33471-33XX
Q6	UPDATED VIEWS
Q5	ADD BACKSHELL CONFIGURATION
Q4	ADD NEW P/N 33471-0347
Q3	334710345 IS SAME AS 334710340 SQ VOID 334710345
Q2	CHANGE THE STATUS TO SALEABLE
Q1	UPDATED NOTES
Q	REDRAWN

ENTER DESCRIPTION IEC NO: UAU2018-0229 DRWN: SONGS 2017/09/22 CHD: MYANSLANR001/2017/09/22 APPR: MYANSLANR001/2017/09/26 Q7	QUALITY SYMBOLS ∇=0 ∇=0 ∇=0	GENERAL TOLERANCES (UNLESS SPECIFIED) mm INCH 4 PLACES ± .001 ± .001 3 PLACES ± .002 ± .002 2 PLACES ± 0.1 ± .004 1 PLACE ± 0.30 ± .008 0 PLACE ± ±	DIMENSION STYLE MM ONLY DRAWN BY: DMARCOUX DATE: 06/18/2002 CHECKED BY: DGRIFITHS DATE: 6/18/2002 APPROVED BY: FHOLUB DATE: 06/18/2002	SCALE: 3:1 DESIGN UNITS: METRIC THIRD ANGLE PROJECTION	TITLE: MX150 1X3 RECEPTACLE SEALED ASSEMBLY MAT SEAL molex	MATERIAL NO: SEE BOM DOCUMENT NO: SD-33471-031	SHEET NO: 1 OF 7
	DRAFT WHERE APPLICABLE MUST REMAIN WITHIN DIMENSIONS						
	THIS DRAWING CONTAINS INFORMATION THAT IS PROPRIETARY TO MOLEX INCORPORATED AND SHOULD NOT BE USED WITHOUT WRITTEN PERMISSION						

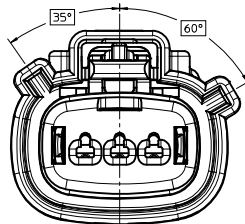
KEY CONFIGURATIONS



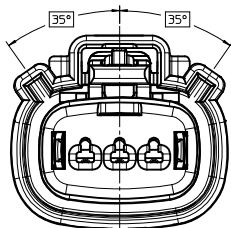
KEY A



KEY B



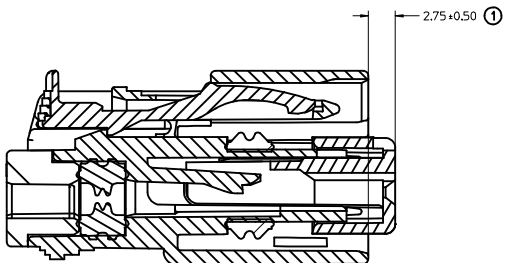
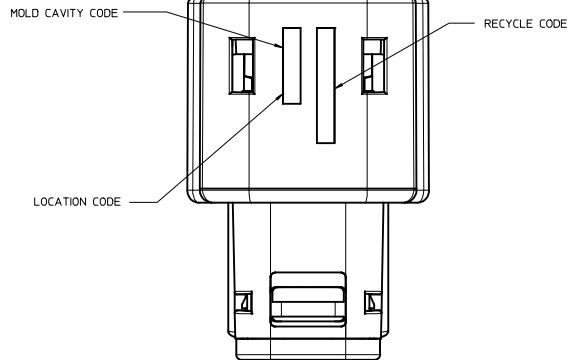
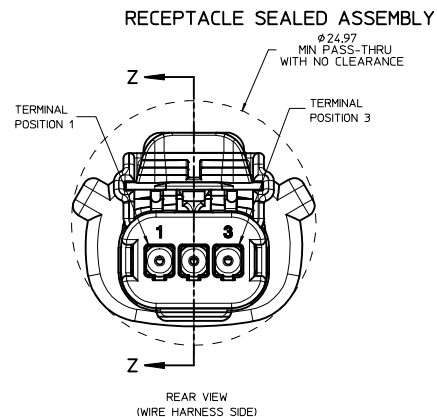
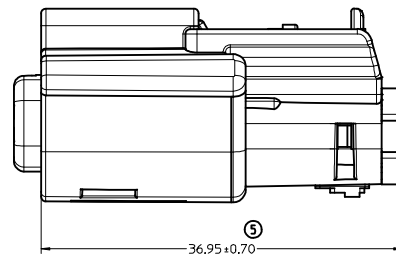
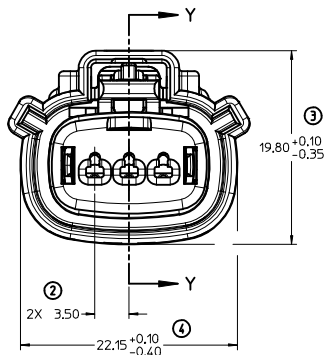
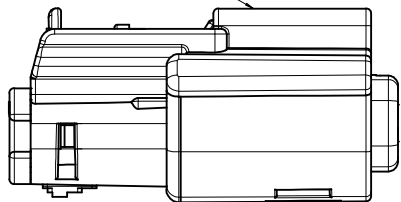
KEY C



KEY D

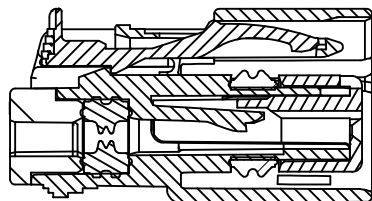
ENTER DESCRIPTION IEC NO. UAU2018-0229 DRAWN: SONGS 2017/09/22 CHECKED: VANSI, ANBROU 2017/09/22 APPR: VANSI, ANBROU 2017/09/26 Q7 REVISIONS DESCRIPTION	QUALITY SYMBOLS	GENERAL TOLERANCES (UNLESS SPECIFIED)	DIMENSION STYLE	SCALE	DESIGN UNITS	THIRD ANGLE PROJECTION
	▽=0	mm INCH	MM ONLY	4:1	METRIC	☉
	▽=0	4 PLACES ± --- ± ---	DRAWN BY DATE			TITLE
	▽=0	3 PLACES ± 0.1 ± ---	DMARCOUX 06/18/2002			MX150 1X3 RECEPTACLE SEALED ASSEMBLY MAT SEAL
▽=0	2 PLACES ± 0.30 ± ---	CHECKED BY DATE				
	1 PLACE ± ±	DGRIFITHS 6/18/2002				
	0 PLACE ± ±	APPROVED BY DATE				
		FHOLUB 06/18/2002				
		ANGULAR ± 3 °	MATERIAL NO.		DOCUMENT NO.	SHEET NO.
		DRAFT WHERE APPLICABLE MUST REMAIN WITHIN DIMENSIONS	SEE BOM		SD-33471-031	2 OF 7
			SIZE D	THIS DRAWING CONTAINS INFORMATION THAT IS PROPRIETARY TO MOLEX INCORPORATED AND SHOULD NOT BE USED WITHOUT WRITTEN PERMISSION		

LASER MARKING ON THIS SURFACE
SEE NOTE 3g.



PRIMARY LOCK REINFORCEMENT (PLR) SHOWN
IN PRE-STAGED POSITION

SECTION Z-Z

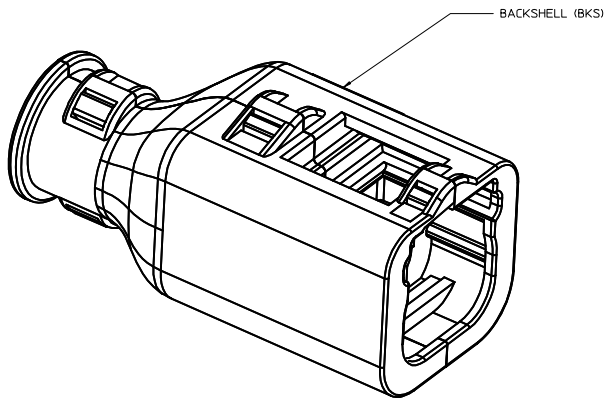


PRIMARY LOCK REINFORCEMENT (PLR) SHOWN
IN FINAL LOCK POSITION

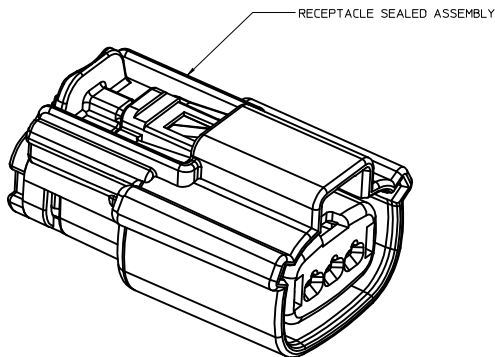
SECTION Y-Y

ENTER DESCRIPTION IEC NO. UAU2018-0229 DRAWN BY 2017/09/22 CHYKCHANSI,ANBRU/2017/09/22 APPR:MYANSI,ANBRU/2017/09/26 REV Q7	QUALITY SYMBOLS ∇=0 ∇=0 ∇=0	GENERAL TOLERANCES (UNLESS SPECIFIED)		DIMENSION STYLE MM ONLY	SCALE 4:1	DESIGN UNITS METRIC	THIRD ANGLE PROJECTION		
		4 PLACES ± mm ± INCH	3 PLACES ± --- ± ---	2 PLACES ± 0.1 ± ---	1 PLACE ± 0.30 ± ---	0 PLACE ± ±	DRAWN BY DATE DMARCOUX 06/18/2002	CHECKED BY DATE DGRIFITHS 6/18/2002	APPROVED BY DATE FHOLUB 06/18/2002
		ANGULAR ± 3 °		DRAFT WHERE APPLICABLE MUST REMAIN WITHIN DIMENSIONS		MATERIAL NO. SEE BOM	DOCUMENT NO. SD-33471-031		SHEET NO. 3 OF 7
		THIS DRAWING CONTAINS INFORMATION THAT IS PROPRIETARY TO MOLEX INCORPORATED AND SHOULD NOT BE USED WITHOUT WRITTEN PERMISSION							molex

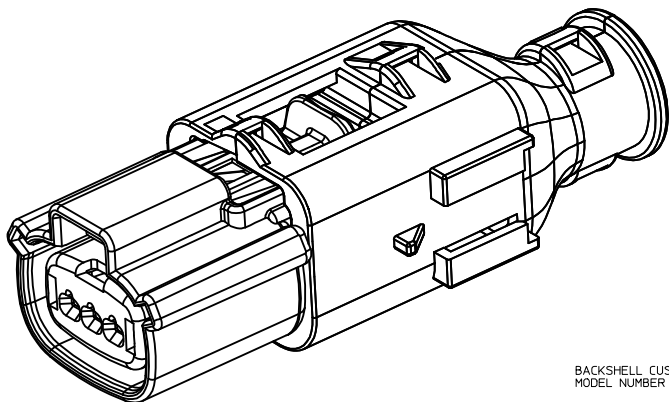
BACKSHELL NOTES



BACKSHELL (BKS)



RECEPTACLE SEALED ASSEMBLY



BACKSHELL CUSTOMER MODEL NUMBER LEGEND

34949-XXXX

- CUSTOMER MODEL COMPONENTS
- 0 - BACKSHELL ONLY
 - 1 - BACKSHELL & MX150 HOUSING KEY A ASSEMBLY
 - 2 - BACKSHELL & MX150 HOUSING KEY B ASSEMBLY
 - 3 - BACKSHELL & MX150 HOUSING KEY C ASSEMBLY
 - 4 - BACKSHELL & MX150 HOUSING KEY D ASSEMBLY
- BACKSHELL FEATURES
- 1 - WITH RIBS
 - 2 - WITHOUT RIBS
- MX150 CIRCUIT SIZE 02, 03, 04, 05, 06

BACKSHELL NOTES: VALID UNLESS OTHERWISE SPECIFIED

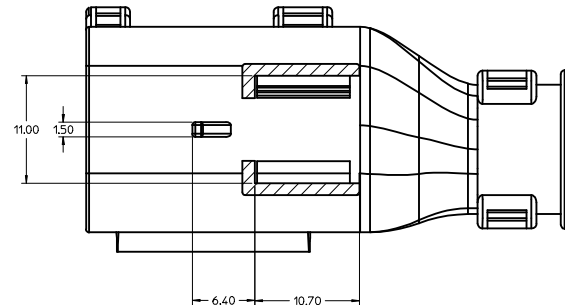
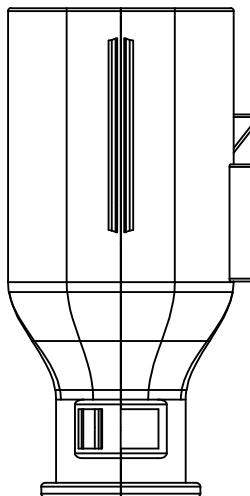
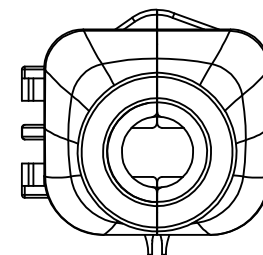
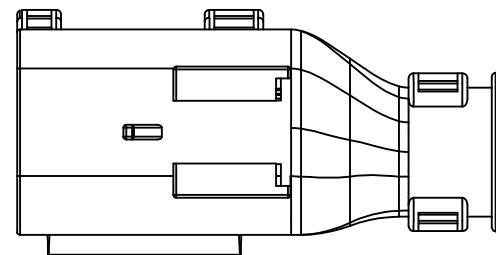
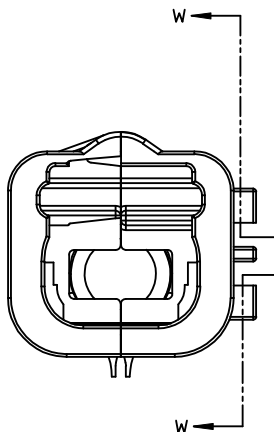
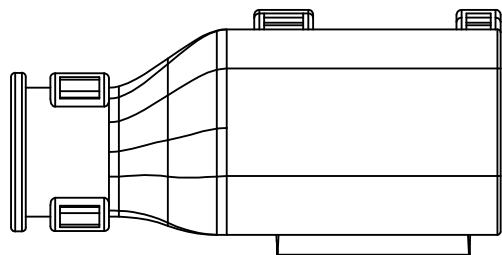
1. GENERAL:

a. APPLICATION SPECIFICATION SEE: AS-34951-001

- DESIGNED TO MATE WITH RECEPTACLE SEALED ASSEMBLY SPECIFIED IN MOLEX DRAWING SD-33471-031.
- SYSTEM TO BE USED WITH WIRE WITH DIAMETER RANGE OF 1.2mm TO 2.69mm.
- COMPONENTS ARE OPTIONAL AND MUST BE PURCHASED SEPARATELY.
- BACKSHELL DESIGN IS OWNED BY SCHLEMMER.
- FOR ADDITIONAL INFORMATION SEE THE BACKSHELL COMPONENT DRAWING SD-34949-0001.

ENTER DESCRIPTION IEC NO. UAU2018-0229 DRAWN BY 2017/09/22 CHYKHWANSI,ANBRU/2017/09/22 APPR:MYANSI,ANBRU/2017/09/26	QUALITY SYMBOLS ∇=0 ∇=0 ∇=0	GENERAL TOLERANCES (UNLESS SPECIFIED)		DIMENSION STYLE MM ONLY	SCALE 4:1	DESIGN UNITS METRIC	THIRD ANGLE PROJECTION
		4 PLACES ± mm ± INCH 3 PLACES ± --- ± --- 2 PLACES ± 0.1 ± --- 1 PLACE ± 0.30 ± --- 0 PLACE ± ±	DRAWN BY DATE DMARCOUX 06/18/2002 CHECKED BY DATE DGRIFITHS 6/18/2002 APPROVED BY DATE FHOLUB 06/18/2002	TITLE MX150 1X3 RECEPTACLE SEALED ASSEMBLY MAT SEAL		MATERIAL NO. SEE BOM	DOCUMENT NO. SD-33471-031
DRAFT WHERE APPLICABLE MUST REMAIN WITHIN DIMENSIONS		ANGULAR ± 3 °		THIS DRAWING CONTAINS INFORMATION THAT IS PROPRIETARY TO MOLEX INCORPORATED AND SHOULD NOT BE USED WITHOUT WRITTEN PERMISSION			

BACKSHELL
 THE VIEWS ON THIS SHEET ARE
 IN THE CLOSED UN-ASSEMBLED POSITION

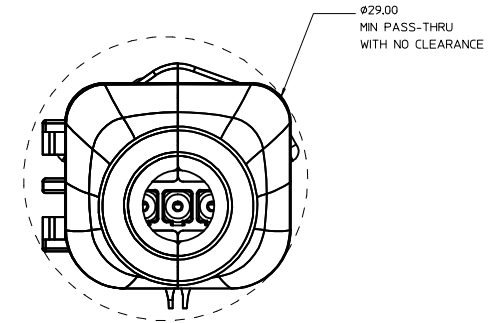
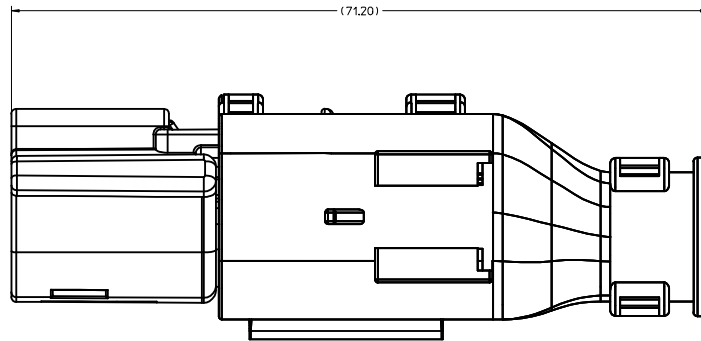


SECTION W-W

ENTER DESCRIPTION IEC NO. UAU2018-0229 DRAWN BY 2017/09/22 CHYKOHVANSI, ANBROU 2017/09/22 APPR: MYANSI, ANBROU 2017/09/26 Q7 REV DESCRIPTION	QUALITY SYMBOLS ∇=0 ∇=0 ∇=0		GENERAL TOLERANCES (UNLESS SPECIFIED) mm INCH 4 PLACES ± --- ± --- 3 PLACES ± --- ± --- 2 PLACES ± 0.1 ± --- 1 PLACE ± 0.30 ± --- 0 PLACE ± ±		DIMENSION STYLE MM ONLY		SCALE 4:1	DESIGN UNITS METRIC	THIRD ANGLE PROJECTION
	ANGULAR ± 3 °		DRAFT WHERE APPLICABLE MUST REMAIN WITHIN DIMENSIONS		DRAWN BY DATE DMARCOUX 06/18/2002	CHECKED BY DATE DGRIFITHS 6/18/2002	TITLE MX150 1X3 RECEPTACLE SEALED ASSEMBLY MAT SEAL		
	MATERIAL NO. SEE BOM		APPROVED BY DATE FHOLUB 06/18/2002		DOCUMENT NO. SD-33471-031		SHEET NO. 5 OF 7		
	THIS DRAWING CONTAINS INFORMATION THAT IS PROPRIETARY TO MOLEX INCORPORATED AND SHOULD NOT BE USED WITHOUT WRITTEN PERMISSION								

20 19 18 17 16 15 14 13 12 11 10 9 8 7 6 5 4 3 2 1

BACKSHELL CONFIGURATIONS



RECEPTACLE SEALED ASSEMBLY WITH RECEPTACLE BACKSHELL

ENTER DESCRIPTION IEC NO. UAU2018-0229 DRAWN: SONGS 2017/09/22 CHECKED: VANSIAMBROU 2017/09/22 APPR: VANSIAMBROU 2017/09/26 Q7 REVISIONS DESCRIPTION	QUALITY SYMBOLS ▽=0 ▽=0 ▽=0		GENERAL TOLERANCES (UNLESS SPECIFIED) <table border="1"> <thead> <tr> <th></th> <th>mm</th> <th>INCH</th> </tr> </thead> <tbody> <tr> <td>4 PLACES</td> <td>± 0.1</td> <td>± 0.004</td> </tr> <tr> <td>3 PLACES</td> <td>± 0.15</td> <td>± 0.006</td> </tr> <tr> <td>2 PLACES</td> <td>± 0.2</td> <td>± 0.008</td> </tr> <tr> <td>1 PLACE</td> <td>± 0.30</td> <td>± 0.012</td> </tr> <tr> <td>0 PLACE</td> <td>± 0.4</td> <td>± 0.016</td> </tr> </tbody> </table>			mm	INCH	4 PLACES	± 0.1	± 0.004	3 PLACES	± 0.15	± 0.006	2 PLACES	± 0.2	± 0.008	1 PLACE	± 0.30	± 0.012	0 PLACE	± 0.4	± 0.016	DIMENSION STYLE MM ONLY		SCALE 4:1	DESIGN UNITS METRIC	THIRD ANGLE PROJECTION
		mm	INCH																								
	4 PLACES	± 0.1	± 0.004																								
	3 PLACES	± 0.15	± 0.006																								
2 PLACES	± 0.2	± 0.008																									
1 PLACE	± 0.30	± 0.012																									
0 PLACE	± 0.4	± 0.016																									
DRAFT WHERE APPLICABLE MUST REMAIN WITHIN DIMENSIONS			ANGLAR ± 3 °		DRAWN BY DMARCOUX	DATE 06/18/2002	TITLE MX150 1X3 RECEPTACLE SEALED ASSEMBLY MAT SEAL																				
			MATERIAL NO. SEE BOM		APPROVED BY FHOLUB	DATE 06/18/2002	DOCUMENT NO. SD-33471-031																				
			SIZE D		THIS DRAWING CONTAINS INFORMATION THAT IS PROPRIETARY TO MOLEX INCORPORATED AND SHOULD NOT BE USED WITHOUT WRITTEN PERMISSION			SHEET NO. 6 OF 7																			

19 18 17 16 15 14 13 12 11 10 9 8 7 6 5 4 3 2 1

ASSEMBLY PART NUMBER	COLOR	KEYING OPTION	ORIFY TYPE & STATUS X=PLUGGED			CPA	STATUS	OPTIONAL ATTACHMENTS SOLD SEPARATELY	
			1	2	3			BACKSHELL WITH RIBS	BACKSHELL WITHOUT RIBS
33471-0301	BLACK	A				-	SALEABLE	34949-0310	34949-0320
33471-0302	LT.GRAY	B				-	SALEABLE	34949-0310	34949-0320
33471-0303	BROWN	C				-	NOT RECOMMENDED--SEE P/N 33471-0343	34949-0310	34949-0320
33471-0304	GREEN	D				-	NOT RECOMMENDED--SEE P/N 33471-0344	34949-0310	34949-0320
33471-0305							VOIDED		
33471-0306	BLACK	A				YES	SALEABLE	34949-0310	34949-0320
33471-0307	LT.GRAY	B				YES	SALEABLE	34949-0310	34949-0320
33471-0308	BROWN	C				YES	NOT RECOMMENDED--SEE P/N 33471-0340	34949-0310	34949-0320
33471-0309	GREEN	D				YES	NOT RECOMMENDED--SEE P/N 33471-0346	34949-0310	34949-0320
33471-0310							VOIDED		
33471-0311	BLACK	A		X		-	SALEABLE	34949-0310	34949-0320
33471-0312	LT.GRAY	B		X		-	SALEABLE	34949-0310	34949-0320
33471-0313	BROWN	C		X		-	SALEABLE	34949-0310	34949-0320
33471-0314	GREEN	D		X		-	SALEABLE	34949-0310	34949-0320
33471-0315							VOIDED		
33471-0316	BLACK	A		X		YES	SALEABLE	34949-0310	34949-0320
33471-0317	LT.GRAY	B		X		YES	SALEABLE	34949-0310	34949-0320
33471-0318	BROWN	C		X		YES	SALEABLE	34949-0310	34949-0320
33471-0319	GREEN	D		X		YES	SALEABLE	34949-0310	34949-0320
33471-0320							VOIDED		
33471-0321	BLACK	A	X	X		-	SALEABLE	34949-0310	34949-0320
33471-0322	LT.GRAY	B	X	X		-	SALEABLE	34949-0310	34949-0320
33471-0323	BROWN	C	X	X		-	SALEABLE	34949-0310	34949-0320
33471-0324	GREEN	D	X	X		-	SALEABLE	34949-0310	34949-0320
33471-0325							VOIDED		
33471-0326	BLACK	A	X	X		YES	SALEABLE	34949-0310	34949-0320
33471-0327	LT.GRAY	B	X	X		YES	SALEABLE	34949-0310	34949-0320
33471-0328	BROWN	C	X	X		YES	SALEABLE	34949-0310	34949-0320
33471-0329	GREEN	D	X	X		YES	SALEABLE	34949-0310	34949-0320
33471-0330							VOIDED		
33471-0331	BLACK	A	X	X		-	SALEABLE	34949-0310	34949-0320
33471-0332	LT.GRAY	B	X	X		-	SALEABLE	34949-0310	34949-0320
33471-0333	BROWN	C	X	X		-	SALEABLE	34949-0310	34949-0320
33471-0334	GREEN	D	X	X		-	SALEABLE	34949-0310	34949-0320
33471-0335							VOIDED		
33471-0336	BLACK	A	X	X		YES	SALEABLE	34949-0310	34949-0320
33471-0337	BLACK	A	X	X		-	SALEABLE	34949-0310	34949-0320
33471-0338	BLACK	A	X	X		YES	SALEABLE	34949-0310	34949-0320
33471-0339	BLACK	A	X	X		-	SALEABLE	34949-0310	34949-0320
33471-0340	DK.GRAY	C				YES	SALEABLE	34949-0310	34949-0320
33471-0341	LT.GRAY	B	X	X		YES	SALEABLE	34949-0310	34949-0320
33471-0342	DK.GRAY	C	X	X		YES	SALEABLE	34949-0310	34949-0320
33471-0343	DK.GRAY	C				-	SALEABLE	34949-0310	34949-0320
33471-0344	ST.GRAY	D				-	SALEABLE	34949-0310	34949-0320
33471-0345	DK.GRAY	C				YES	OBSOLETE---SEE P/N 33471-0340	34949-0310	34949-0320
33471-0346	ST.GRAY	D				YES	SALEABLE	34949-0310	34949-0320
33471-0347	YELLOW	A				YES	SALEABLE	34949-0310	34949-0320

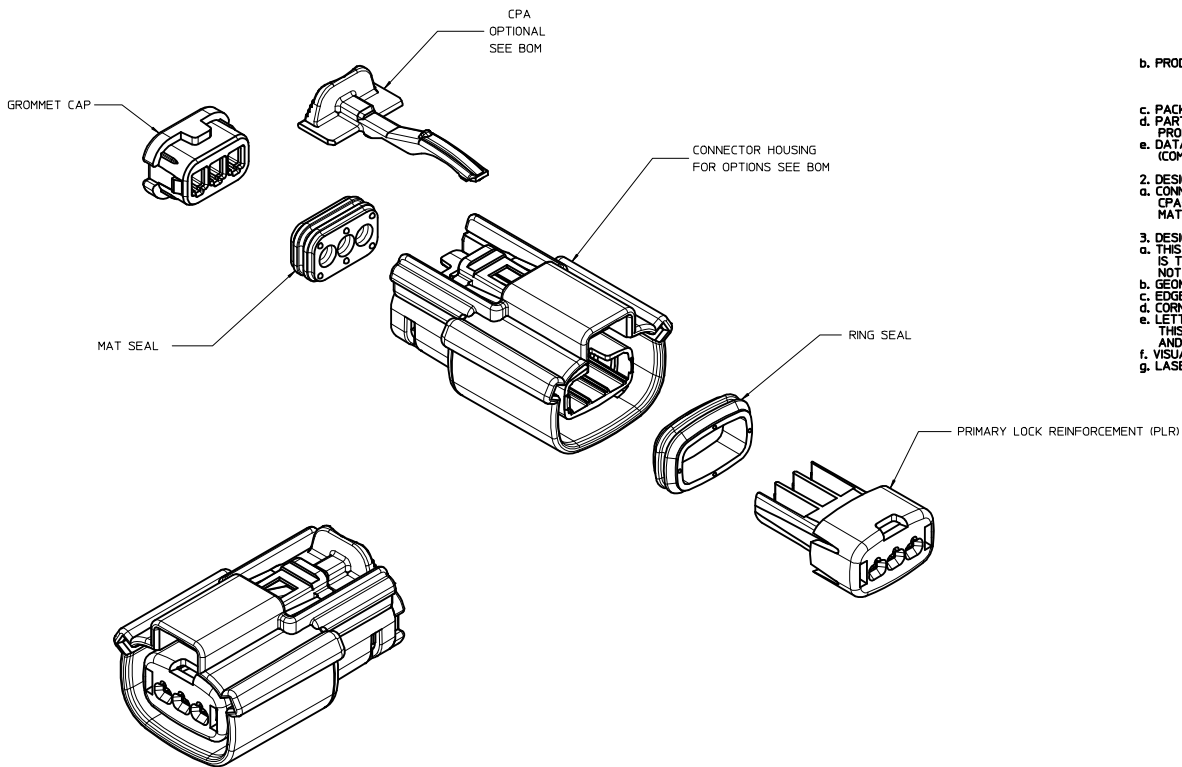
*FOR ASSEMBLY P/N'S 33471-0340 AND 33471-0342 REFER TO SALEABLE KEY OPTION C ASSEMBLY P/N'S ABOVE

ASSEMBLY PART NUMBER	COLOR	KEYING OPTION	ORIFY TYPE & STATUS X=PLUGGED			CPA	STATUS	OPTIONAL ATTACHMENTS SOLD SEPARATELY	
			1	2	3			BACKSHELL WITH RIBS	BACKSHELL WITHOUT RIBS
33471-3301	BLACK	A				-	SALEABLE	34949-0310	34949-0320
33471-3302	LT.GRAY	B				-	SALEABLE	34949-0310	34949-0320
33471-3303	BROWN	C				-	NOT RECOMMENDED--SEE P/N 33471-3343	34949-0310	34949-0320
33471-3304	GREEN	D				-	NOT RECOMMENDED--SEE P/N 33471-3344	34949-0310	34949-0320
33471-3305							VOIDED		
33471-3306	BLACK	A				YES	SALEABLE	34949-0310	34949-0320
33471-3307	LT.GRAY	B				YES	SALEABLE	34949-0310	34949-0320
33471-3308	BROWN	C				YES	NOT RECOMMENDED--SEE P/N 33471-3340	34949-0310	34949-0320
33471-3309	GREEN	D				YES	NOT RECOMMENDED--SEE P/N 33471-3346	34949-0310	34949-0320
33471-3310							VOIDED		
33471-3311	BLACK	A		X		-	SALEABLE	34949-0310	34949-0320
33471-3312	LT.GRAY	B		X		-	SALEABLE	34949-0310	34949-0320
33471-3313	BROWN	C		X		-	SALEABLE	34949-0310	34949-0320
33471-3314	GREEN	D		X		-	SALEABLE	34949-0310	34949-0320
33471-3315							VOIDED		
33471-3316	BLACK	A		X		YES	SALEABLE	34949-0310	34949-0320
33471-3317	LT.GRAY	B		X		YES	SALEABLE	34949-0310	34949-0320
33471-3318	BROWN	C		X		YES	SALEABLE	34949-0310	34949-0320
33471-3319	GREEN	D		X		YES	SALEABLE	34949-0310	34949-0320
33471-3320							VOIDED		
33471-3321	BLACK	A	X	X		-	SALEABLE	34949-0310	34949-0320
33471-3322	LT.GRAY	B	X	X		-	SALEABLE	34949-0310	34949-0320
33471-3323	BROWN	C	X	X		-	SALEABLE	34949-0310	34949-0320
33471-3324	GREEN	D	X	X		-	SALEABLE	34949-0310	34949-0320
33471-3325							VOIDED		
33471-3326	BLACK	A	X	X		YES	SALEABLE	34949-0310	34949-0320
33471-3327	LT.GRAY	B	X	X		YES	SALEABLE	34949-0310	34949-0320
33471-3328	BROWN	C	X	X		YES	SALEABLE	34949-0310	34949-0320
33471-3329	GREEN	D	X	X		YES	SALEABLE	34949-0310	34949-0320
33471-3330							VOIDED		
33471-3331	BLACK	A	X	X		-	SALEABLE	34949-0310	34949-0320
33471-3332	LT.GRAY	B	X	X		-	SALEABLE	34949-0310	34949-0320
33471-3333	BROWN	C	X	X		-	SALEABLE	34949-0310	34949-0320
33471-3334	GREEN	D	X	X		-	SALEABLE	34949-0310	34949-0320
33471-3335							VOIDED		
33471-3336	BLACK	A	X	X		YES	SALEABLE	34949-0310	34949-0320
33471-3337	BLACK	A	X	X		-	SALEABLE	34949-0310	34949-0320
33471-3338	BLACK	A	X	X		YES	SALEABLE	34949-0310	34949-0320
33471-3339	BLACK	A	X	X		-	SALEABLE	34949-0310	34949-0320
33471-3340	DK.GRAY	C				YES	SALEABLE	34949-0310	34949-0320
33471-3341	LT.GRAY	B	X	X		YES	SALEABLE	34949-0310	34949-0320
33471-3342	DK.GRAY	C	X	X		YES	SALEABLE	34949-0310	34949-0320
33471-3343	DK.GRAY	C				-	SALEABLE	34949-0310	34949-0320
33471-3344	ST.GRAY	D				-	SALEABLE	34949-0310	34949-0320
33471-3345	DK.GRAY	C				YES	OBSOLETE---SEE P/N 33471-3340	34949-0310	34949-0320
33471-3346	ST.GRAY	D				YES	SALEABLE	34949-0310	34949-0320
33471-3347	YELLOW	A				YES	SALEABLE	34949-0310	34949-0320

*FOR ASSEMBLY P/N'S 33471-3340 AND 33471-3342 REFER TO SALEABLE KEY OPTION C ASSEMBLY P/N'S ABOVE

ENTER DESCRIPTION ELC NO. UAU2018-0229 DRAWN BY: CHOKWANG SONGS 2017/09/22 CHECKED BY: CHOKWANG SONGS 2017/09/22 APPROVED BY: APPR:WANGS.LAMBROU 2017/09/26 REV: Q7	QUALITY SYMBOLS ∇=0 ∇=0 ∇=0	GENERAL TOLERANCES (UNLESS SPECIFIED) mm INCH 4 PLACES ± .005 ± .0005 3 PLACES ± .002 ± .0002 2 PLACES ± 0.1 ± .005 1 PLACE ± 0.30 ± .01 0 PLACE ± ±	DIMENSION STYLE MM ONLY	SCALE DESIGN UNITS METRIC	THIRD ANGLE PROJECTION	
	DRAWN BY: DMARCOUX DATE: 06/18/2002	CHECKED BY: DGRIFITHS DATE: 6/18/2002	APPROVED BY: FHOLUB DATE: 06/18/2002	MATERIAL NO. SEE BOM	DOCUMENT NO. SD-33471-031	SHEET NO. 7 OF 7
	DRAFT WHERE APPLICABLE MUST REMAIN WITHIN DIMENSIONS					THIS DRAWING CONTAINS INFORMATION THAT IS PROPRIETARY TO MOLEX INCORPORATED AND SHOULD NOT BE USED WITHOUT WRITTEN PERMISSION
	MOLEX MX150 1X3 RECEPTACLE SEALED ASSEMBLY MAT SEAL					

TABLE OF CONTENTS	
SHEET NO.	SHEET DESCRIPTION
1	NOTES
2	KEY CONFIGURATIONS
3	RECEPTACLE SEALED ASSEMBLY
4	BACKSHELL NOTES
5	BACKSHELL
6	BACKSHELL CONFIGURATION
7	BOM



NOTES: VALID UNLESS OTHERWISE SPECIFIED

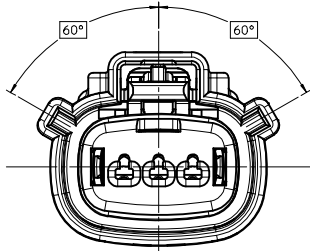
1. GENERAL:
 - a. APPLICATION SPECIFICATION SEE: AS-33472-100
 - CONTAINS: PRODUCT INTRODUCTION, PRODUCT SUMMARY, CONNECTOR ASSEMBLY, PACKAGING INFORMATION, CONNECTOR MATING, SERVICE INSTRUCTIONS, ELECTRICAL CONTINUITY CHECKING, CRIMPING, AND TROUBLESHOOTING.
 - DESIGNED TO MATE WITH DEVICE CONNECTION AS SPECIFIED IN DRAWING EWCAP 150-S-003-1-205, AVAILABLE AT http://ewcap.uscarteams.org/.
 - DESIGNED TO MATE WITH BLADE SEALED ASSEMBLY AS SPECIFIED IN DRAWING SD-33481-031
 - FOR 15mm RECEPTACLE TERMINALS TO BE USED WITH THIS ASSEMBLY. SEE MOLEX DRAWING SD-33042-002.
 - SYSTEM TO BE USED WITH WIRE WITHIN DIAMETER RANGE OF 1.2 mm TO 2.69 mm.
 - ASSEMBLY SHIPPED WITH PLR AND CPA IN PRE-LOCK POSITION (SEE SECTION Z-Z PRE-LOCK).
 - IN THE EVENT THAT THE PLR IS FOUND IN THE SEATED (FINAL LOCK) POSITION, REFER TO MOLEX SPECIFICATION PS-34646-001, AVAILABLE AT www.molex.com -http://www.molex.com.
 - ASSEMBLY CONFORMS TO SAE/USCAR-2 REV.4 WITH THE FOLLOWING EXCEPTIONS: ENGAGEMENT FORCE TO MOVE CPA FROM PRE-LOCK TO FINAL LOCK POSITION WHEN UNMATED: 40N MIN.
 - DISENGAGEMENT FORCE TO MOVE CPA FROM FINAL LOCK TO PRE-LOCK POSITION: 3N MIN, 40N MAX
 - TERMINAL INSERTION FORCE FOR WIRE DIAMETER ABOVE 2.5mm NOT EXCEEDING 2.69mm SHALL NOT EXCEED 40 NEWTONS.
 - b. PRODUCT SPECIFICATION SEE: PS-33471-000
 - CONTAINS: PRODUCT INTRODUCTION, PRODUCT SUMMARY, RATINGS (CURRENT, TEMPERATURE, SEALING, AND FLAMMABILITY), AND PRODUCT VALIDATION.
 - c. PACKAGING SPECIFICATION PER MOLEX DRAWING: PK-31300-635
 - d. PARTS MUST BE IN COMPLIANCE TO MOLEX CHEMICAL SUBSTANCES FOR PRODUCTS AND PACKAGING SPECIFICATION: ES-40000-5046
 - e. DATA MUST BE SUBMITTED UNDER THE MOLEX PART NUMBER TO IMDS (COMPANY ID#13255)
2. DESIGN - MATERIALS:
 - a. CONNECTOR HOUSING, GROMMET CAP, PLR: SPS/NYLON BLEND 20% GLASS FILLED
 - CPA: PBT 20% GLASS FILLED
 - MAT SEAL, RING SEAL: INHERENTLY LUBRICATED SILICONE
3. DESIGN - GEOMETRY:
 - a. THIS IS A 100% CAD GENERATED PART. THE CAD MATHEMATICAL DATA IS THE MASTER FOR THIS PART. FOR DIMENSIONAL OR ANY INFORMATION NOT SHOWN ON THIS DRAWING, ANALYZE THE CAD MODEL.
 - b. GEOMETRIC DIMENSIONS AND TOLERANCES PER ASME Y14.5M - 1994
 - c. EDGES AND UNDIMENSIONED DETAILS PER ISO13715
 - d. CORNERS SHOWN AS SHARP TO BE R 0.2 MAX.
 - e. LETTERING SHALL BE 0.15 MAX RAISED IN 0.25 MAX RECESS PAD. THIS INCLUDES RECYCLING CODE, CAVITY ID, VENDOR IDENTIFICATION, AND CUSTOMER MATERIAL NUMBER.
 - f. VISUAL DEFECTS SHALL MEET COSMETIC STANDARD PS-45499-002 (Class B)
 - g. LASER MARKING: TBD

INSPECTION NUMBER LOG
 LAST NUMBER USED: 5
 ADDED:
 REMOVED:

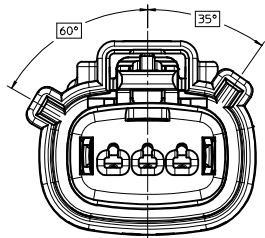
REV	DESCRIPTION
Q7	ADD NEW P/NS 33471-33XX
Q6	UPDATED VIEWS
Q5	ADD BACKSHELL CONFIGURATION
Q4	ADD NEW P/N 33471-0347
Q3	334710345 IS SAME AS 334710340 SQ VOID 334710345
Q2	CHANGE THE STATUS TO SALEABLE
Q1	UPDATED NOTES
Q	REDRAWN

ENTER DESCRIPTION IEC NO: UAU2018-0229 DRWN: SONGS 2017/09/22 CHKD: MYANSLANBROU2017/09/22 APPR: MYANSLANBROU2017/09/26 REV: Q7	QUALITY SYMBOLS	GENERAL TOLERANCES (UNLESS SPECIFIED)	DIMENSION STYLE	SCALE	DESIGN UNITS	THIRD ANGLE PROJECTION	TITLE	MATERIAL NO.	DOCUMENT NO.	SHEET NO.
	▽=0	4 PLACES ± .005	MM ONLY	3:1	METRIC	☉	MX150 1X3 RECEPTACLE SEALED ASSEMBLY MAT SEAL	SEE BOM	SD-33471-031	1 OF 7
	▽=0	3 PLACES ± .01								
	▽=0	2 PLACES ± 0.1								
		ANGULAR ± 3 °								
		DRAFT WHERE APPLICABLE MUST REMAIN WITHIN DIMENSIONS								

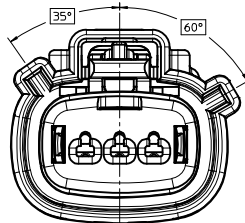
KEY CONFIGURATIONS



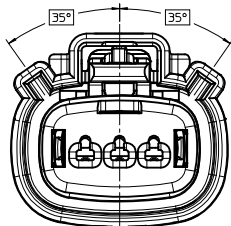
KEY A



KEY B



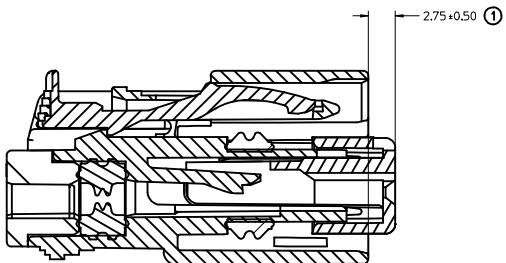
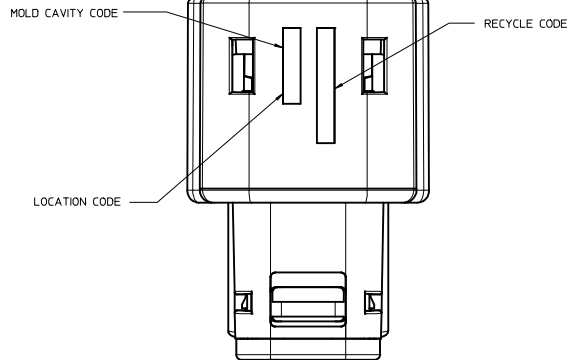
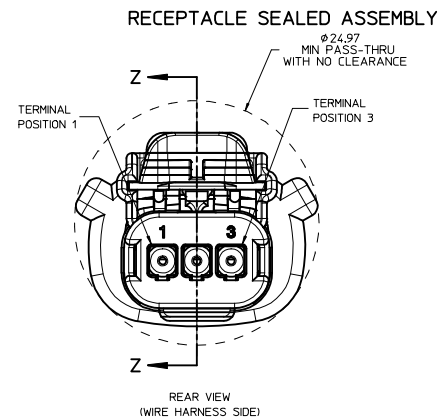
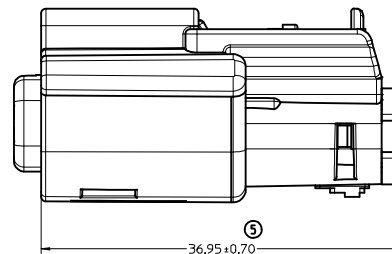
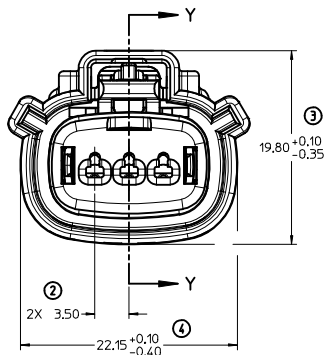
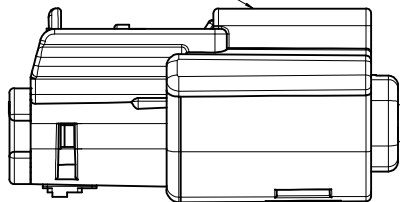
KEY C



KEY D

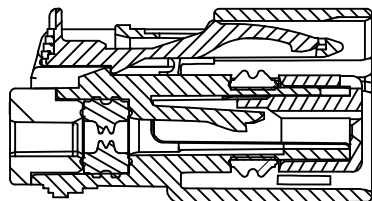
ENTER DESCRIPTION IEC NO. UAU2018-0229 DRAWN: SONG05 2017/09/22 CHECK: MYANSI, AMBROU 2017/09/22 APPR: MYANSI, AMBROU 2017/09/26 Q7 REVISIONS DESCRIPTION	QUALITY SYMBOLS	GENERAL TOLERANCES (UNLESS SPECIFIED)	DIMENSION STYLE	SCALE	DESIGN UNITS	THIRD ANGLE PROJECTION
	▽=0	mm INCH	MM ONLY	4:1	METRIC	☉
	▽=0	4 PLACES ± --- ± ---	DRAWN BY DATE			TITLE
	▽=0	3 PLACES ± 0.1 ± ---	DMARCOUX 06/18/2002			MX150 1X3 RECEPTACLE SEALED ASSEMBLY MAT SEAL
	2 PLACES ± 0.30 ± ---	CHECKED BY DATE				
	1 PLACE ± ±	DGRIFFI THS 6/18/2002				
	0 PLACE ± ±	APPROVED BY DATE				
		FHOLUB 06/18/2002				
		MATERIAL NO.	SEE BOM		DOCUMENT NO.	
		ANGULAR ± 3 °			SD-33471-031	SHEET NO.
		DRAFT WHERE APPLICABLE MUST REMAIN WITHIN DIMENSIONS	SIZE D			2 OF 7

LASER MARKING ON THIS SURFACE
SEE NOTE 3g.



PRIMARY LOCK REINFORCEMENT (PLR) SHOWN
IN PRE-STAGED POSITION

SECTION Z-Z

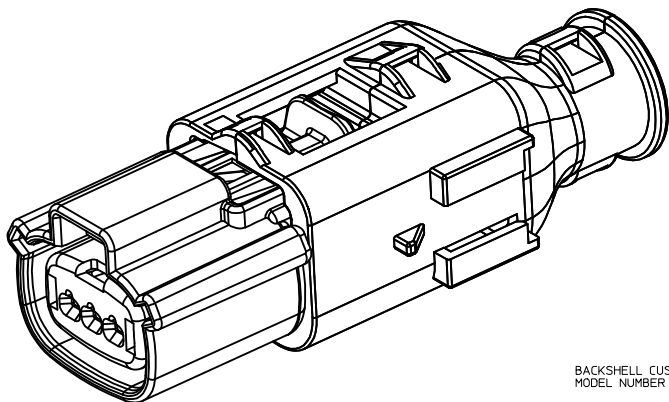
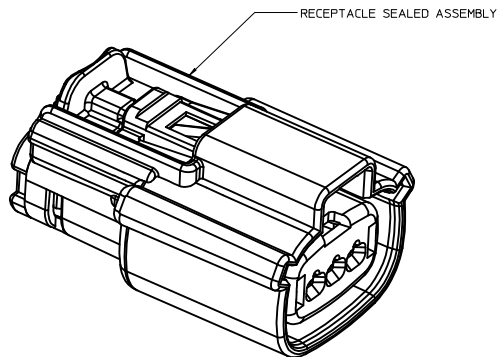
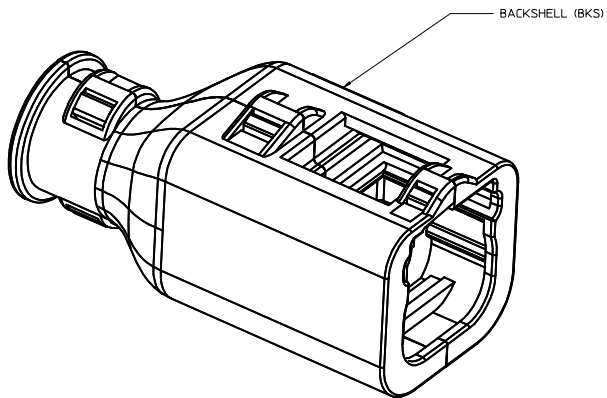


PRIMARY LOCK REINFORCEMENT (PLR) SHOWN
IN FINAL LOCK POSITION

SECTION Y-Y

ENTER DESCRIPTION IEC NO. UAU2018-0229 DRAWN BY 2017/09/22 CHYKOHVANSI,ANBRU/2017/09/22 APPR:MYANSI,ANBRU/2017/09/26 REV:	QUALITY SYMBOLS	GENERAL TOLERANCES (UNLESS SPECIFIED)	DIMENSION STYLE	SCALE	DESIGN UNITS	THIRD ANGLE PROJECTION
	∇=0 ∇=0 ∇=0	mm INCH 4 PLACES ± --- ± --- 3 PLACES ± --- ± --- 2 PLACES ± 0.1 ± --- 1 PLACE ± 0.30 ± --- 0 PLACE ± ±	MM ONLY	4:1	METRIC	DRAWN BY DATE DMARCOUX 06/18/2002 CHECKED BY DATE DGRIFITHS 6/18/2002 APPROVED BY DATE FHOLUB 06/18/2002
	ANGULAR ± 3 ° DRAFT WHERE APPLICABLE MUST REMAIN WITHIN DIMENSIONS	MATERIAL NO. SEE BOM	TITLE MX150 1X3 RECEPTACLE SEALED ASSEMBLY MAT SEAL molex	DOCUMENT NO. SD-33471-031	SHEET NO. 3 OF 7	
	THIS DRAWING CONTAINS INFORMATION THAT IS PROPRIETARY TO MOLEX INCORPORATED AND SHOULD NOT BE USED WITHOUT WRITTEN PERMISSION					

BACKSHELL NOTES



BACKSHELL NOTES: VALID UNLESS OTHERWISE SPECIFIED

1. GENERAL:

- a. APPLICATION SPECIFICATION SEE: AS-34951-001
 - DESIGNED TO MATE WITH RECEPTACLE SEALED ASSEMBLY SPECIFIED IN MOLEX DRAWING SD-33471-031.
 - SYSTEM TO BE USED WITH WIRE WITH DIAMETER RANGE OF 1.2mm TO 2.69mm.
 - COMPONENTS ARE OPTIONAL AND MUST BE PURCHASED SEPARATELY.
 - BACKSHELL DESIGN IS OWNED BY SCHLEMMER.
 - FOR ADDITIONAL INFORMATION SEE THE BACKSHELL COMPONENT DRAWING SD-34949-0001.

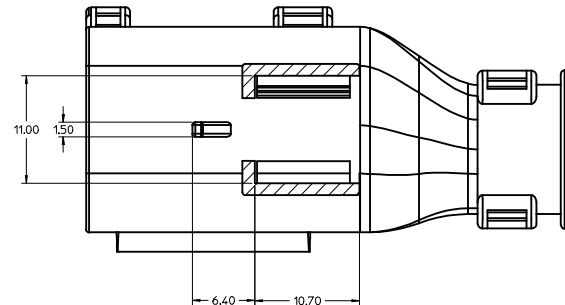
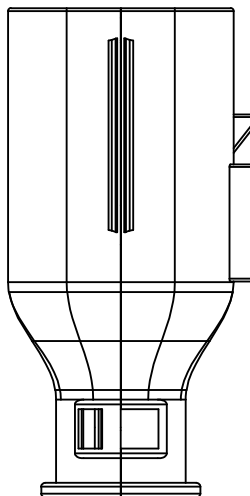
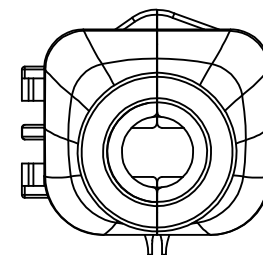
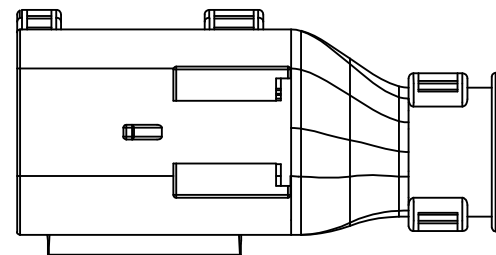
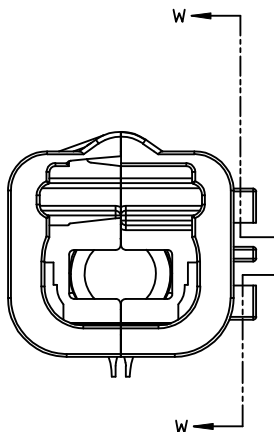
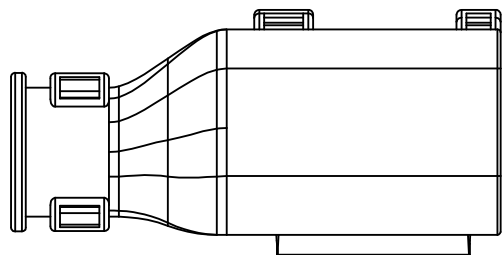
BACKSHELL CUSTOMER MODEL NUMBER LEGEND

34949-XXXX

- CUSTOMER MODEL COMPONENTS
 - 0 - BACKSHELL ONLY
 - 1 - BACKSHELL & MX150 HOUSING KEY A ASSEMBLY
 - 2 - BACKSHELL & MX150 HOUSING KEY B ASSEMBLY
 - 3 - BACKSHELL & MX150 HOUSING KEY C ASSEMBLY
 - 4 - BACKSHELL & MX150 HOUSING KEY D ASSEMBLY
- BACKSHELL FEATURES
 - 1 - WITH RIBS
 - 2 - WITHOUT RIBS
- MX150 CIRCUIT SIZE 02, 03, 04, 05, 06

ENTER DESCRIPTION IEC NO. UAU2018-0229 DRAWN BY: 2017/09/22 CHKD BY: ANSLANBROU/2017/09/22 APPR: MYANSI/ANBROU/2017/09/26	QUALITY SYMBOLS	GENERAL TOLERANCES (UNLESS SPECIFIED)	DIMENSION STYLE	SCALE	DESIGN UNITS	THIRD ANGLE PROJECTION
	∇=0 ∇=0 ∇=0	mm INCH 4 PLACES # --- # --- 3 PLACES # --- # --- 2 PLACES # 0.1 # --- 1 PLACE # 0.30 # --- 0 PLACE # #	MM ONLY DRAWN BY: DATE DMARCOUX 06/18/2002 CHECKED BY: DATE DGRIFITHS 6/18/2002 APPROVED BY: DATE FHOLUB 06/18/2002	4:1 METRIC	MX150 1X3 RECEPTACLE SEALED ASSEMBLY MAT SEAL molex	MATERIAL NO. SEE BOM DOCUMENT NO. SD-33471-031
DRAFT WHERE APPLICABLE MUST REMAIN WITHIN DIMENSIONS		THIS DRAWING CONTAINS INFORMATION THAT IS PROPRIETARY TO MOLEX INCORPORATED AND SHOULD NOT BE USED WITHOUT WRITTEN PERMISSION				

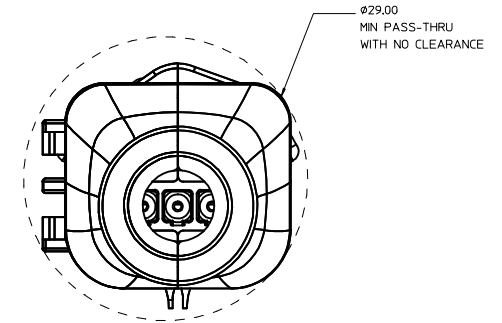
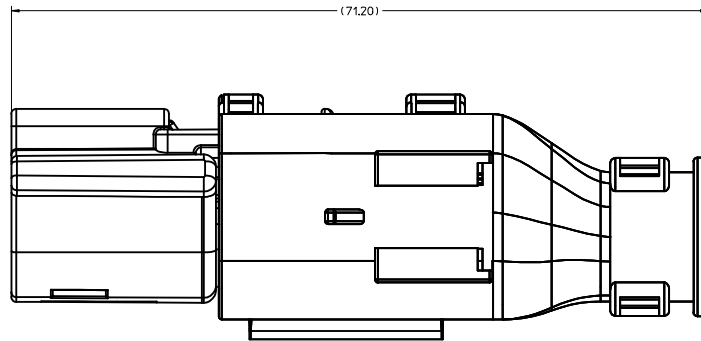
BACKSHELL
 THE VIEWS ON THIS SHEET ARE
 IN THE CLOSED UN-ASSEMBLED POSITION



SECTION W-W

ENTER DESCRIPTION IEC NO. UAU2018-0229 DRAWN: SONGS 2017/09/22 CHECKED: WANSI, ANBROU 2017/09/22 APPR: WANSI, ANBROU 2017/09/26	QUALITY SYMBOLS	GENERAL TOLERANCES (UNLESS SPECIFIED)		DIMENSION STYLE	SCALE	DESIGN UNITS	THIRD ANGLE PROJECTION
	▽=0	mm	INCH	MM ONLY	4:1	METRIC	☉
	▽=0	4 PLACES ±---	±---				
	▽=0	3 PLACES ±0.1	±---				
	2 PLACES ±0.30	±---					
	1 PLACE ±	±					
	0 PLACE ±	±					
		ANGULAR ± 3 °		MATERIAL NO.	DATE	TITLE	
		DRAFT WHERE APPLICABLE MUST REMAIN WITHIN DIMENSIONS		SEE BOM	06/18/2002	MX150 1X3 RECEPTACLE SEALED ASSEMBLY MAT SEAL	
				SIZE D	APPROVED BY: FHLUB 06/18/2002	molex	
					DOCUMENT NO. SD-33471-031		SHEET NO. 5 OF 7

BACKSHELL CONFIGURATIONS



RECEPTACLE SEALED ASSEMBLY WITH RECEPTACLE BACKSHELL

ENTER DESCRIPTION IEC NO. UAU2018-0229 DRAWN: SONGS 2017/09/22 CHECKED: WANSI, ANBROU 2017/09/22 APPR: WANSI, ANBROU 2017/09/26 Q7 REV DESCRIPTION	QUALITY SYMBOLS ▽=0 ▽=0 ▽=0		GENERAL TOLERANCES (UNLESS SPECIFIED) <table border="1"> <thead> <tr> <th></th> <th>mm</th> <th>INCH</th> </tr> </thead> <tbody> <tr> <td>4 PLACES</td> <td>± 0.1</td> <td>± 0.004</td> </tr> <tr> <td>3 PLACES</td> <td>± 0.15</td> <td>± 0.006</td> </tr> <tr> <td>2 PLACES</td> <td>± 0.2</td> <td>± 0.008</td> </tr> <tr> <td>1 PLACE</td> <td>± 0.30</td> <td>± 0.012</td> </tr> <tr> <td>0 PLACE</td> <td>± 0.4</td> <td>± 0.016</td> </tr> </tbody> </table>			mm	INCH	4 PLACES	± 0.1	± 0.004	3 PLACES	± 0.15	± 0.006	2 PLACES	± 0.2	± 0.008	1 PLACE	± 0.30	± 0.012	0 PLACE	± 0.4	± 0.016	DIMENSION STYLE MM ONLY		SCALE 4:1		DESIGN UNITS METRIC		THIRD ANGLE PROJECTION	
		mm	INCH																											
	4 PLACES	± 0.1	± 0.004																											
	3 PLACES	± 0.15	± 0.006																											
2 PLACES	± 0.2	± 0.008																												
1 PLACE	± 0.30	± 0.012																												
0 PLACE	± 0.4	± 0.016																												
DRAFT WHERE APPLICABLE MUST REMAIN WITHIN DIMENSIONS			ANGULAR ± 3 °		DRAWN BY DMARCOUX 06/18/2002		DATE 06/18/2002		TITLE MX150 1X3 RECEPTACLE SEALED ASSEMBLY MAT SEAL																					
			MATERIAL NO. SEE BOM		APPROVED BY FHOLUB 06/18/2002		DATE 06/18/2002		DOCUMENT NO. SD-33471-031																					
			SIZE D		THIS DRAWING CONTAINS INFORMATION THAT IS PROPRIETARY TO MOLEX INCORPORATED AND SHOULD NOT BE USED WITHOUT WRITTEN PERMISSION																									

ASSEMBLY PART NUMBER	COLOR	KEYING OPTION	ORIFIT TYPE & STATUS X=PLUGGED			CPA	STATUS	OPTIONAL ATTACHMENTS SOLD SEPARATELY	
			1	2	3			BACKSHELL WITH RIBS	BACKSHELL WITHOUT RIBS
33471-0301	BLACK	A				-	SALEABLE	34949-0310	34949-0320
33471-0302	LT.GRAY	B				-	SALEABLE	34949-0310	34949-0320
33471-0303	BROWN	C				-	NOT RECOMMENDED---SEE P/N 33471-0343	34949-0310	34949-0320
33471-0304	GREEN	D				-	NOT RECOMMENDED---SEE P/N 33471-0344	34949-0310	34949-0320
33471-0305							VOIDED		
33471-0306	BLACK	A				YES	SALEABLE	34949-0310	34949-0320
33471-0307	LT.GRAY	B				YES	SALEABLE	34949-0310	34949-0320
33471-0308	BROWN	C				YES	NOT RECOMMENDED---SEE P/N 33471-0340	34949-0310	34949-0320
33471-0309	GREEN	D				YES	NOT RECOMMENDED---SEE P/N 33471-0346	34949-0310	34949-0320
33471-0310							VOIDED		
33471-0311	BLACK	A		X		-	SALEABLE	34949-0310	34949-0320
33471-0312	LT.GRAY	B		X		-	SALEABLE	34949-0310	34949-0320
33471-0313	BROWN	C		X		-	SALEABLE	34949-0310	34949-0320
33471-0314	GREEN	D		X		-	SALEABLE	34949-0310	34949-0320
33471-0315							VOIDED		
33471-0316	BLACK	A		X		YES	SALEABLE	34949-0310	34949-0320
33471-0317	LT.GRAY	B		X		YES	SALEABLE	34949-0310	34949-0320
33471-0318	BROWN	C		X		YES	SALEABLE	34949-0310	34949-0320
33471-0319	GREEN	D		X		YES	SALEABLE	34949-0310	34949-0320
33471-0320							VOIDED		
33471-0321	BLACK	A	X	X		-	SALEABLE	34949-0310	34949-0320
33471-0322	LT.GRAY	B	X	X		-	SALEABLE	34949-0310	34949-0320
33471-0323	BROWN	C	X	X		-	SALEABLE	34949-0310	34949-0320
33471-0324	GREEN	D	X	X		-	SALEABLE	34949-0310	34949-0320
33471-0325							VOIDED		
33471-0326	BLACK	A	X	X		YES	SALEABLE	34949-0310	34949-0320
33471-0327	LT.GRAY	B	X	X		YES	SALEABLE	34949-0310	34949-0320
33471-0328	BROWN	C	X	X		YES	SALEABLE	34949-0310	34949-0320
33471-0329	GREEN	D	X	X		YES	SALEABLE	34949-0310	34949-0320
33471-0330							VOIDED		
33471-0331	BLACK	A	X	X		-	SALEABLE	34949-0310	34949-0320
33471-0332	LT.GRAY	B	X	X		-	SALEABLE	34949-0310	34949-0320
33471-0333	BROWN	C	X	X		-	SALEABLE	34949-0310	34949-0320
33471-0334	GREEN	D	X	X		-	SALEABLE	34949-0310	34949-0320
33471-0335							VOIDED		
33471-0336	BLACK	A	X	X		YES	SALEABLE	34949-0310	34949-0320
33471-0337	BLACK	A	X	X		-	SALEABLE	34949-0310	34949-0320
33471-0338	BLACK	A	X	X		YES	SALEABLE	34949-0310	34949-0320
33471-0339	BLACK	A	X	X		-	SALEABLE	34949-0310	34949-0320
33471-0340	DK.GRAY	C				YES	SALEABLE	34949-0310	34949-0320
33471-0341	LT.GRAY	B	X	X		YES	SALEABLE	34949-0310	34949-0320
33471-0342	DK.GRAY	C	X	X		YES	SALEABLE	34949-0310	34949-0320
33471-0343	DK.GRAY	C				-	SALEABLE	34949-0310	34949-0320
33471-0344	ST.GRAY	D				-	SALEABLE	34949-0310	34949-0320
33471-0345	DK.GRAY	C				YES	OBSOLETE---SEE P/N 33471-0340	34949-0310	34949-0320
33471-0346	ST.GRAY	D				YES	SALEABLE	34949-0310	34949-0320
33471-0347	YELLOW	A				YES	SALEABLE	34949-0310	34949-0320

*FOR ASSEMBLY P/N'S 33471-0340 AND 33471-0342 REFER TO SALEABLE KEY OPTION C ASSEMBLY P/N'S ABOVE

ASSEMBLY PART NUMBER	COLOR	KEYING OPTION	ORIFIT TYPE & STATUS X=PLUGGED			CPA	STATUS	OPTIONAL ATTACHMENTS SOLD SEPARATELY	
			1	2	3			BACKSHELL WITH RIBS	BACKSHELL WITHOUT RIBS
33471-3301	BLACK	A				-	SALEABLE	34949-0310	34949-0320
33471-3302	LT.GRAY	B				-	SALEABLE	34949-0310	34949-0320
33471-3303	BROWN	C				-	NOT RECOMMENDED---SEE P/N 33471-3343	34949-0310	34949-0320
33471-3304	GREEN	D				-	NOT RECOMMENDED---SEE P/N 33471-3344	34949-0310	34949-0320
33471-3305							VOIDED		
33471-3306	BLACK	A				YES	SALEABLE	34949-0310	34949-0320
33471-3307	LT.GRAY	B				YES	SALEABLE	34949-0310	34949-0320
33471-3308	BROWN	C				YES	NOT RECOMMENDED---SEE P/N 33471-3340	34949-0310	34949-0320
33471-3309	GREEN	D				YES	NOT RECOMMENDED---SEE P/N 33471-3346	34949-0310	34949-0320
33471-3310							VOIDED		
33471-3311	BLACK	A		X		-	SALEABLE	34949-0310	34949-0320
33471-3312	LT.GRAY	B		X		-	SALEABLE	34949-0310	34949-0320
33471-3313	BROWN	C		X		-	SALEABLE	34949-0310	34949-0320
33471-3314	GREEN	D		X		-	SALEABLE	34949-0310	34949-0320
33471-3315							VOIDED		
33471-3316	BLACK	A		X		YES	SALEABLE	34949-0310	34949-0320
33471-3317	LT.GRAY	B		X		YES	SALEABLE	34949-0310	34949-0320
33471-3318	BROWN	C		X		YES	SALEABLE	34949-0310	34949-0320
33471-3319	GREEN	D		X		YES	SALEABLE	34949-0310	34949-0320
33471-3320							VOIDED		
33471-3321	BLACK	A	X	X		-	SALEABLE	34949-0310	34949-0320
33471-3322	LT.GRAY	B	X	X		-	SALEABLE	34949-0310	34949-0320
33471-3323	BROWN	C	X	X		-	SALEABLE	34949-0310	34949-0320
33471-3324	GREEN	D	X	X		-	SALEABLE	34949-0310	34949-0320
33471-3325							VOIDED		
33471-3326	BLACK	A	X	X		YES	SALEABLE	34949-0310	34949-0320
33471-3327	LT.GRAY	B	X	X		YES	SALEABLE	34949-0310	34949-0320
33471-3328	BROWN	C	X	X		YES	SALEABLE	34949-0310	34949-0320
33471-3329	GREEN	D	X	X		YES	SALEABLE	34949-0310	34949-0320
33471-3330							VOIDED		
33471-3331	BLACK	A	X	X		-	SALEABLE	34949-0310	34949-0320
33471-3332	LT.GRAY	B	X	X		-	SALEABLE	34949-0310	34949-0320
33471-3333	BROWN	C	X	X		-	SALEABLE	34949-0310	34949-0320
33471-3334	GREEN	D	X	X		-	SALEABLE	34949-0310	34949-0320
33471-3335							VOIDED		
33471-3336	BLACK	A	X	X		YES	SALEABLE	34949-0310	34949-0320
33471-3337	BLACK	A	X	X		-	SALEABLE	34949-0310	34949-0320
33471-3338	BLACK	A	X	X		YES	SALEABLE	34949-0310	34949-0320
33471-3339	BLACK	A	X	X		-	SALEABLE	34949-0310	34949-0320
33471-3340	DK.GRAY	C				YES	SALEABLE	34949-0310	34949-0320
33471-3341	LT.GRAY	B	X	X		YES	SALEABLE	34949-0310	34949-0320
33471-3342	DK.GRAY	C	X	X		YES	SALEABLE	34949-0310	34949-0320
33471-3343	DK.GRAY	C				-	SALEABLE	34949-0310	34949-0320
33471-3344	ST.GRAY	D				-	SALEABLE	34949-0310	34949-0320
33471-3345	DK.GRAY	C				YES	OBSOLETE---SEE P/N 33471-3340	34949-0310	34949-0320
33471-3346	ST.GRAY	D				YES	SALEABLE	34949-0310	34949-0320
33471-3347	YELLOW	A				YES	SALEABLE	34949-0310	34949-0320

*FOR ASSEMBLY P/N'S 33471-3340 AND 33471-3342 REFER TO SALEABLE KEY OPTION C ASSEMBLY P/N'S ABOVE

ENTER DESCRIPTION ELEC NO: UAU2018-0229 DRAWN BY: SONGS 2017/09/22 CHK'D BY: WANG, AMBRO 2017/09/22 APPROVED BY: WANG, AMBRO 2017/09/26 REV: Q7	QUALITY SYMBOLS ∇=0 ∇=0 ∇=0	GENERAL TOLERANCES (UNLESS SPECIFIED) mm INCH 4 PLACES ± .005 ± .0005 3 PLACES ± .002 ± .0002 2 PLACES ± 0.1 ± .005 1 PLACE ± 0.30 ± .01 0 PLACE ± ±		DIMENSION STYLE MM ONLY	SCALE DESIGN UNITS METRIC	THIRD ANGLE PROJECTION
		DRAFT WHERE APPLICABLE MUST REMAIN WITHIN DIMENSIONS		DRAWN BY: DMARCOUX DATE: 06/18/2002	CHECKED BY: DGRIFITHS DATE: 6/18/2002	APPROVED BY: FHOLUB DATE: 06/18/2002
		MATERIAL NO. DOCUMENT NO.		SEE BOM		TITLE MX150 1X3 RECEPTACLE SEALED ASSEMBLY MAT SEAL
		SIZE D		SHEET NO. 7 OF 7		MOLEX SD-33471-031