

10 9 8 7 6 5 4 3 2 1

F

F

E

E

D

D

C

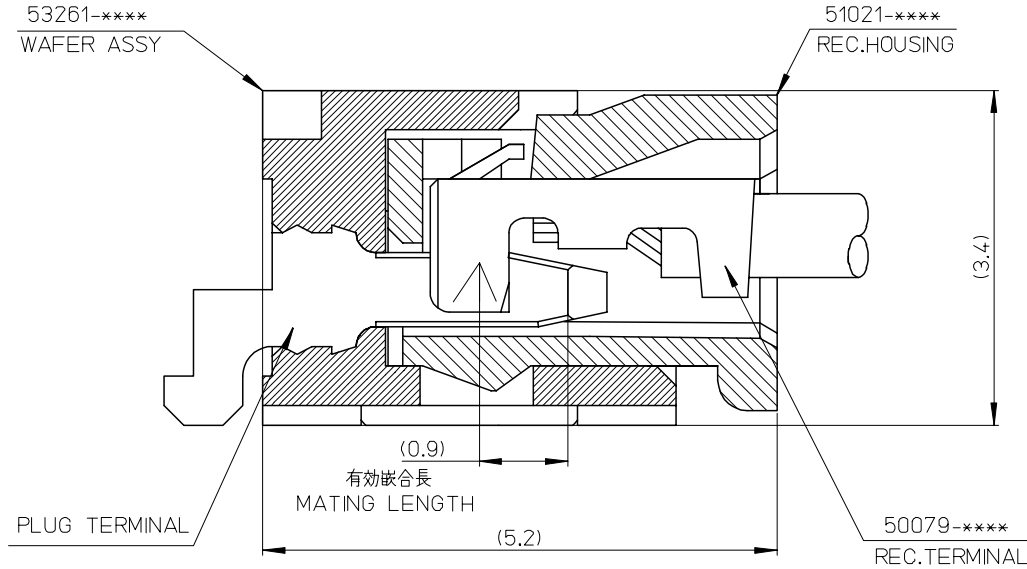
C

B

B

A

A

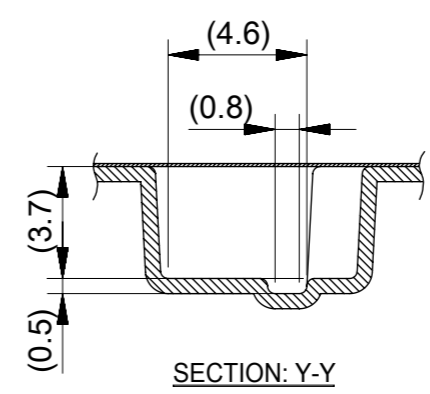
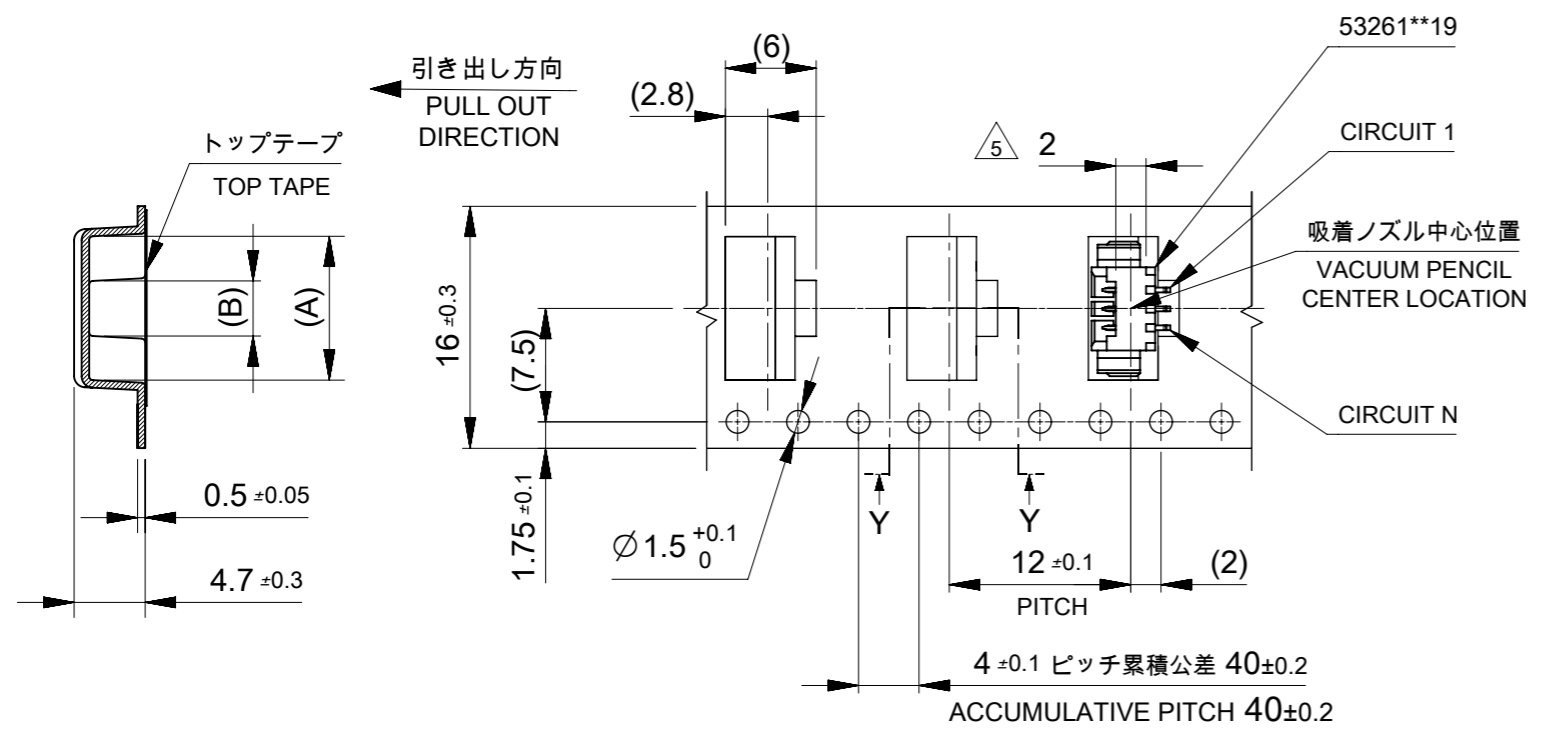
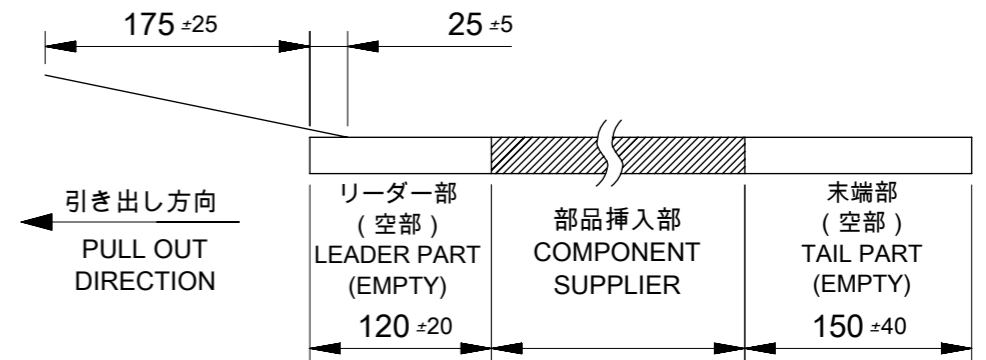
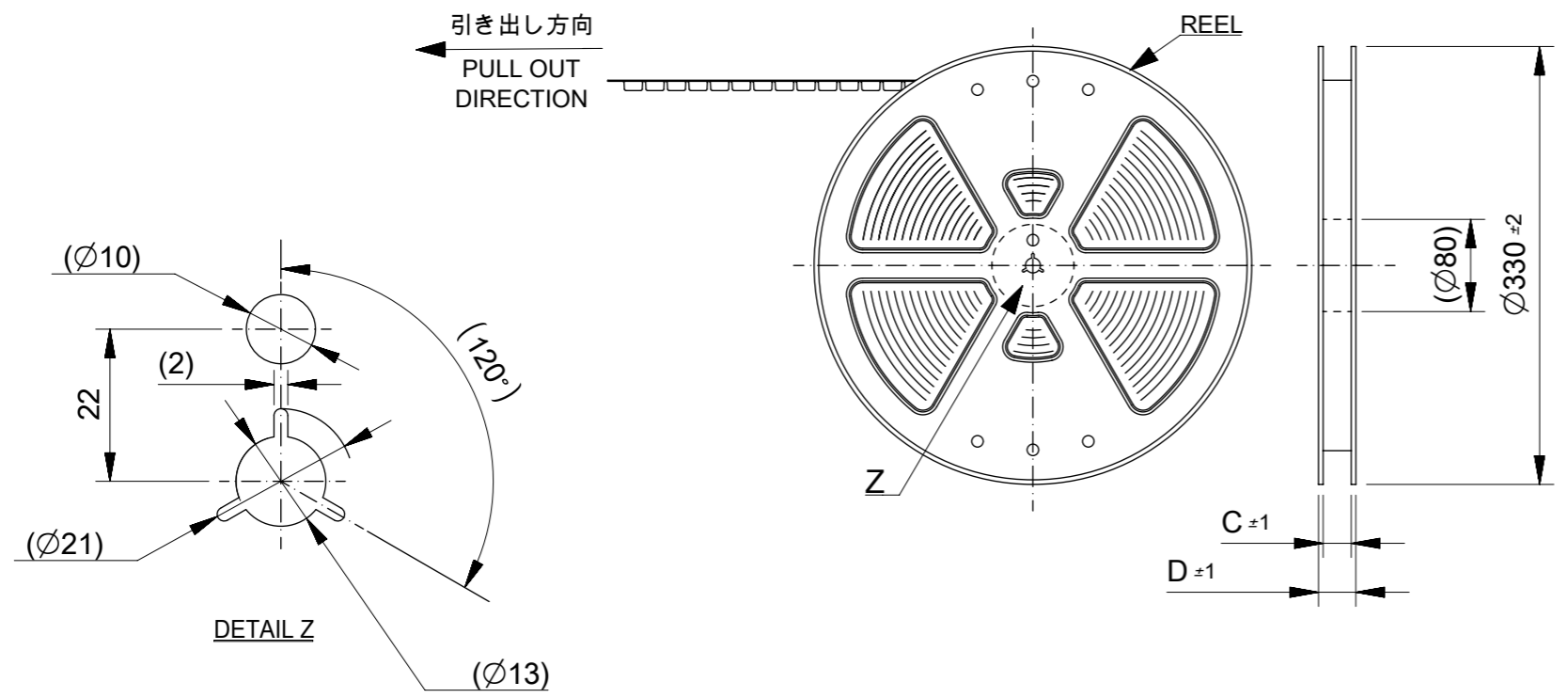


53261-****	WAFER ASSY	MODEL NO./MATERIAL NO.
50079-****	TERMINAL	
51021-****	HOUSING	

RELEASED EC NO: J2006-2426 DRWN: A0YAGI 2006/02/02 CHKD: YMAEDA 2006/02/03 APPR: NUKITA 2006/02/07	GENERAL TOLERANCES (UNLESS SPECIFIED)		DIMENSION STYLE MM ONLY		SCALE ---	DESIGN UNITS METRIC	THIRD ANGLE PROJECTION	
	10 UNDER	± ---	DRAWN BY Y. A0YAGI	DATE 2006/01/30	TITLE 1.25 W-TO-B CONN. 51021,53261 MATING CROSS SECTION			
	10 OVER 30 UNDER	± ---	CHECKED BY Y. MAEDA	DATE 2006/01/30	MOLEX INCORPORATED			
	30 OVER	± ---	APPROVED BY N. UKITA	DATE 2006/01/30	DOCUMENT NO. SD-51021-002			
	ANGULAR	± --- °	MATERIAL NO. SEE CHART		SHEET NO. 1 OF 1			
0	DRAFT WHERE APPLICABLE MUST REMAIN WITHIN DIMENSIONS		SIZE A3		THIS DRAWING CONTAINS INFORMATION THAT IS PROPRIETARY TO MOLEX INCORPORATED AND SHOULD NOT BE USED WITHOUT WRITTEN PERMISSION			

注釈 NOTE

- コネクタ53261\*\*19の詳細寸法については図面SD-53261-024をご参照ください。  
REFER TO DRAWING SD-53261-024 FOR DETAIL DIMENSIONS OF CONNECTOR 53261\*\*19.
- 梱包数量: 1000個/リール  
NUMBER OF CONNECTOR: 1000PCS/REEL
- リードテープ長さ LEAD TAPE LENGTH  
 トップテープリーダー部 TOP TAPE LEADER PART: 175 ±25  
 トップテープ未装着部 TOP TAPE NON-BONDED PART: 25 ±5
- 材料 (MATERIAL)  
 キャリアテープ (CARRIER TAPE): ポリプロピレン (POLYPROPYLENE)  
 トップテープ (TOP TAPE): PET, PE, PEF  
 リール (REEL): ポリスチレン (PS) <リサイクル材含む> POLYSTYREN (PS) <RECYCLE MATERIAL CONTAINED>
- コネクタハウジング平面部  
CONNECTOR HOUSING FLAT AREA.
- 本製品は乾燥剤入りハイバリア梱包仕様である。  
THIS PRODUCT IS HIGH BARRIER PACKAGE WITH DESICCANT.



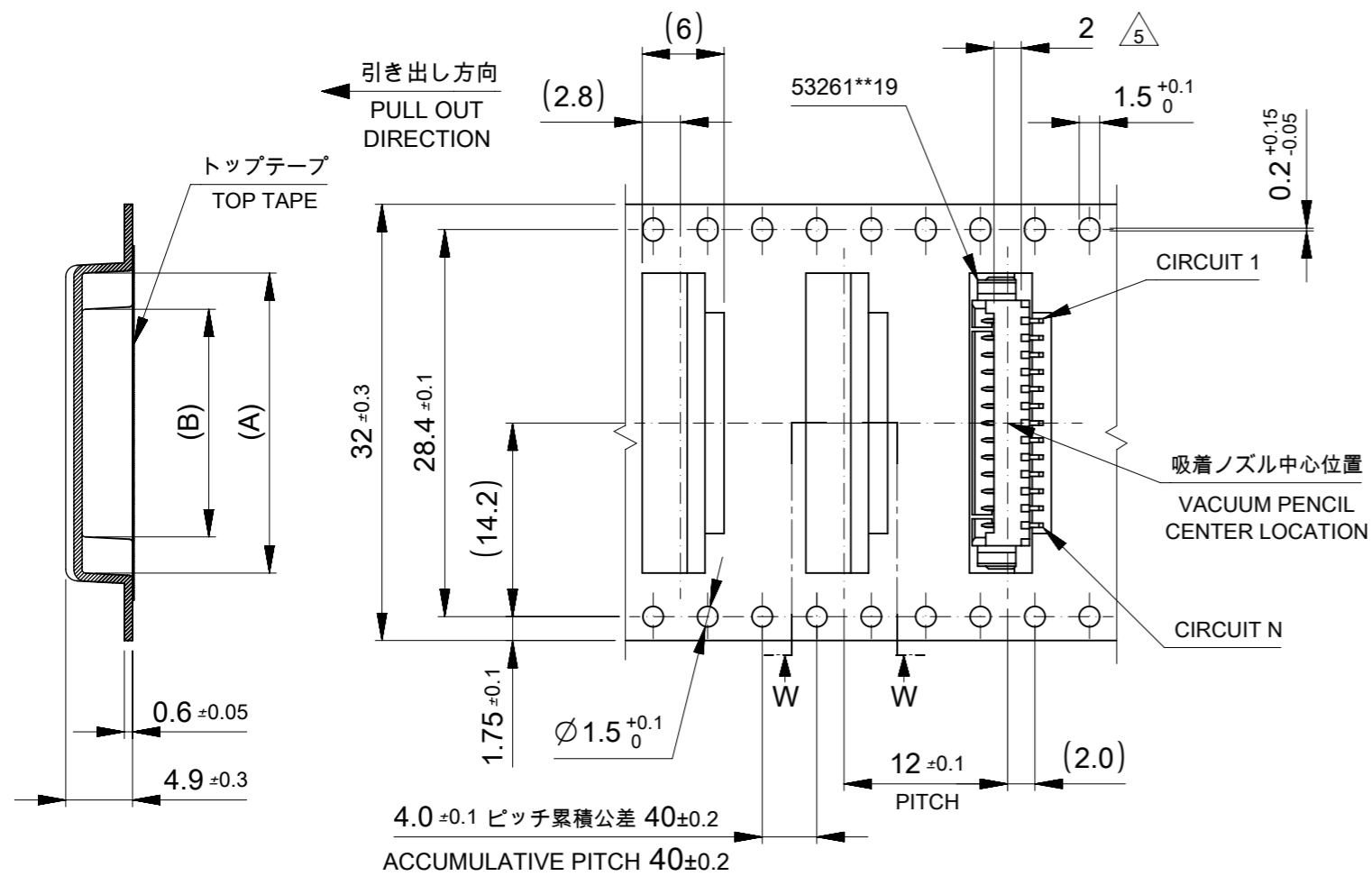
PRE-RELEASE  
REFERENCE  
USE ONLY

16mm幅キャリアテープ  
16mm WIDTH CARRIER TAPE

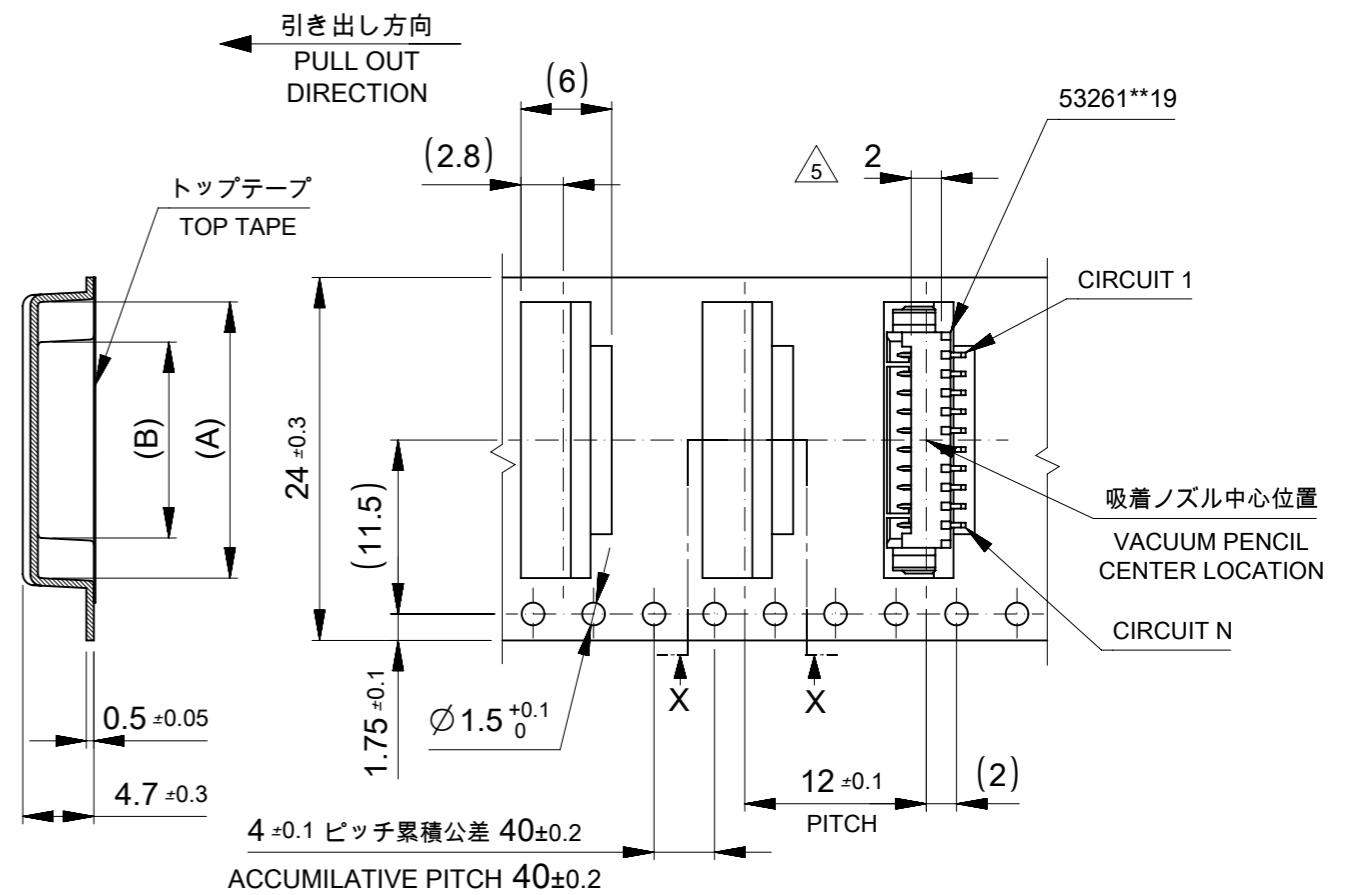
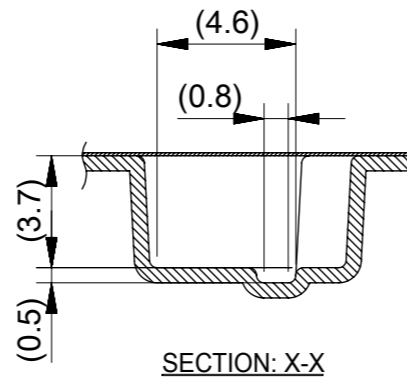
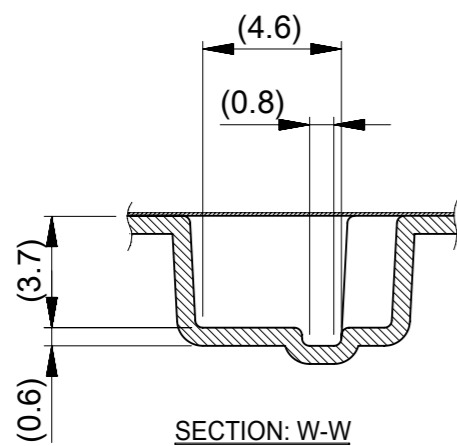
16	21.4	17.4	3.7	9.5	532610371	3
			2.45	8.25	532610271	2
キャリアテープ幅 CARRIER TAPE WIDTH		D	C	B	A	EMBOSSED TAPE PACKAGE 極数
オーダー番号 ORDER NO.						CIRCUIT

THIS DRAWING CONTAINS INFORMATION THAT IS PROPRIETARY TO MOLEX ELECTRONIC TECHNOLOGIES, LLC AND SHOULD NOT BE USED WITHOUT WRITTEN PERMISSION		CURRENT REV DESC:		<b>molex</b>			
DIMENSION UNITS	SCALE	EC NO: 626512					
mm	NTS	DRWN: SOBARA01 2019/10/29		PRODUCT CUSTOMER DRAWING			
GENERAL TOLERANCES (UNLESS SPECIFIED)		CHK'D: KOMURAKAMI 2019/10/30		DOCUMENT NUMBER			
ANGULAR TOL	± 3.0 °	APPR: AIDA 2019/10/30		SD-53261-023			
4 PLACES	± 0.2	INITIAL REVISION:		DOC TYPE	DOC PART		
3 PLACES	± 0.2	DRWN: HSHIMABUKURO 2004/02/20		PSD	001		
2 PLACES	± 0.2	APPR: MSASAO 2004/02/20		REVISION	F		
1 PLACE	± 0.2	DRAFT WHERE APPLICABLE MUST REMAIN WITHIN DIMENSIONS		SHEET NUMBER			
0 PLACES	± 0.2	THIRD ANGLE PROJECTION	DRAWING	SERIES	MATERIAL NUMBER		
			A3-SIZE	53261	SEE CHART		
		CUSTOMER		GENERAL MARKET			

DOCUMENT STATUS	RELEASE DATE
-----------------	--------------



32mm幅キャリアテープ  
32mm WIDTH CARRIER TAPE



24mm幅キャリアテープ  
24mm WIDTH CARRIER TAPE

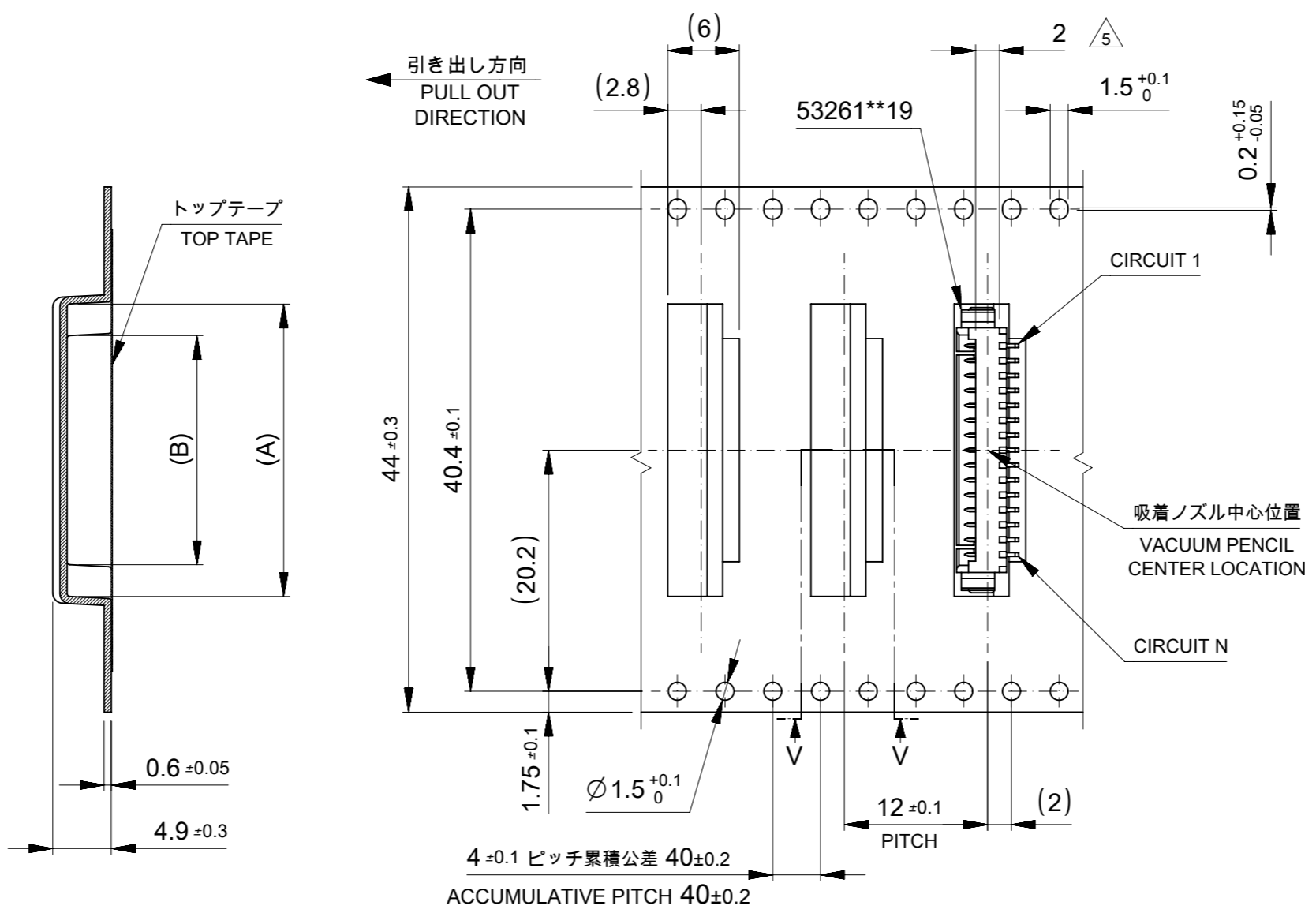
32	37.4	33.4	16.2	22	532611371	13	
			14.95	20.75	532611271	12	
			13.7	19.5	532611171	11	
24	29.4	25.4	12.45	18.25	532611071	10	
			11.2	17	532610971	9	
			9.95	15.75	532610871	8	
			8.7	14.5	532610771	7	
			7.45	13.25	532610671	6	
			6.2	12	532610571	5	
			4.95	10.75	532610471	4	
キャリアテープ幅 CARRIER TAPE WIDTH		D	C	B	A	EMBOSSED TAPE PACKAGE オーダー番号 ORDER NO.	極数 CIRCUIT

PRE-RELEASE  
REFERENCE  
USE ONLY

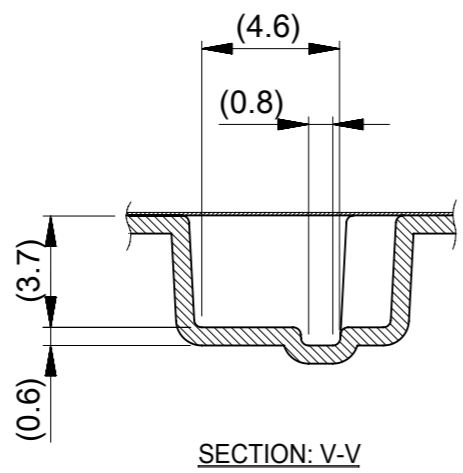
THIS DRAWING CONTAINS INFORMATION THAT IS PROPRIETARY TO MOLEX ELECTRONIC TECHNOLOGIES, LLC AND SHOULD NOT BE USED WITHOUT WRITTEN PERMISSION

DIMENSION UNITS mm	SCALE NTS	CURRENT REV DESC:		<b>molex</b>		
GENERAL TOLERANCES (UNLESS SPECIFIED)		EC NO: 626512				
ANGULAR TOL	± 3.0°	DRWN: SOBARA01	2019/10/29	PRODUCT CUSTOMER DRAWING		
4 PLACES	± 0.2	CHK'D: KOMURAKAMI	2019/10/30	DOCUMENT NUMBER		
3 PLACES	± 0.2	APPR: AIDA	2019/10/30	SD-53261-023		
2 PLACES	± 0.2	INITIAL REVISION:		DOC TYPE	DOC PART	REVISION
1 PLACE	± 0.2	DRWN: HSHIMABUKURO	2004/02/20	PSD	001	F
0 PLACES	± 0.2	APPR: MSASAO	2004/02/20	SHEET NUMBER		
DRAFT WHERE APPLICABLE MUST REMAIN WITHIN DIMENSIONS		THIRD ANGLE PROJECTION	DRAWING	SERIES	MATERIAL NUMBER	CUSTOMER
			A3-SIZE	53261	SEE CHART	GENERAL MARKET

DOCUMENT STATUS	RELEASE DATE
-----------------	--------------



44mm幅キャリアテープ  
44mm WIDTH CARRIER TAPE



PRE-RELEASE  
REFERENCE  
USE ONLY

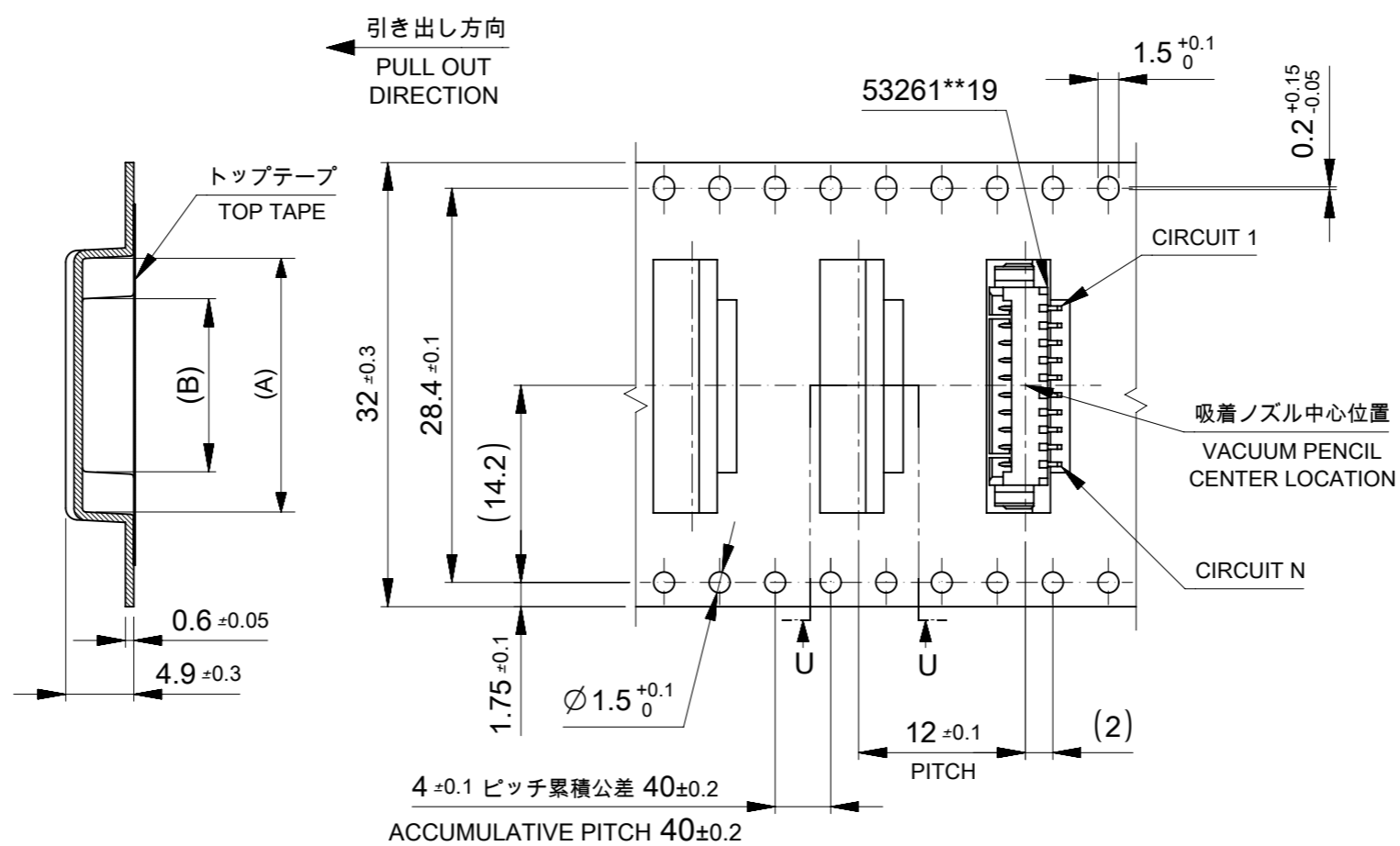
44	49.4	45.4	21.2	27	532611771	17	
			18.7	24.5	532611571	15	
			17.45	23.25	532611471	14	
キャリアテープ幅 CARRIER TAPE WIDTH		D	C	B	A	EMBOSSED TAPE PACKAGE	極数 CIRCUIT
オーダー番号 ORDER NO.						CIRCUIT	

THIS DRAWING CONTAINS INFORMATION THAT IS PROPRIETARY TO MOLEX ELECTRONIC TECHNOLOGIES, LLC AND SHOULD NOT BE USED WITHOUT WRITTEN PERMISSION

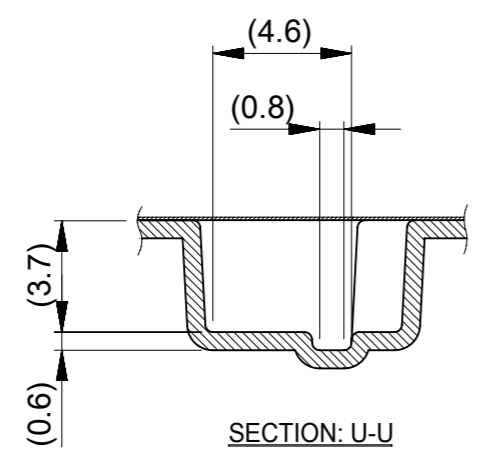
DIMENSION UNITS	SCALE	CURRENT REV DESC:		<b>molex</b>		
mm	NTS					
GENERAL TOLERANCES (UNLESS SPECIFIED)				PICOBLADE 1.25 W/B CONN. SMT R/A EMBOSSED TAPE PACKAGE		
ANGULAR TOL	± 3.0 °	EC NO: 626512		PRODUCT CUSTOMER DRAWING		
4 PLACES	± 0.2	DRWN: SOBARA01 2019/10/29		DOCUMENT NUMBER		
3 PLACES	± 0.2	CHK'D: KOMURAKAMI 2019/10/30		SD-53261-023		
2 PLACES	± 0.2	APPR: AIDA 2019/10/30		DOC TYPE		
1 PLACE	± 0.2	INITIAL REVISION:		PSD		
0 PLACES	± 0.2	DRWN: HSHIMABUKURO 2004/02/20		DOC PART		
DRAFT WHERE APPLICABLE MUST REMAIN WITHIN DIMENSIONS		APPR: MSASAO 2004/02/20		001		
THIRD ANGLE PROJECTION		DRAWING		REVISION		
A3-SIZE		SERIES		F		
53261		MATERIAL NUMBER		SHEET NUMBER		
SEE CHART		CUSTOMER		3 OF 4		
GENERAL MARKET						

DOCUMENT STATUS	RELEASE DATE
-----------------	--------------

532611071  
 韓国生産分に適用  
 APPLIES TO PRODUCT  
 PRODUCED BY MXK



32mm幅キャリアテープ  
 32mm WIDTH CARRIER TAPE



PRE-RELEASE  
 REFERENCE  
 USE ONLY

32	37.4	33.4	12.45	18.25	532611071	10
キャリアテープ幅 CARRIER TAPE WIDTH	D	C	B	A	EMBOSSED TAPE PACKAGE	極数 CIRCUIT
					オーダー番号 ORDER NO.	

THIS DRAWING CONTAINS INFORMATION THAT IS PROPRIETARY TO MOLEX ELECTRONIC TECHNOLOGIES, LLC AND SHOULD NOT BE USED WITHOUT WRITTEN PERMISSION		CURRENT REV DESC:		<b>molex</b>	
DIMENSION UNITS	SCALE	EC NO: 626512			
mm	NTS	DRWN: SOBARA01 2019/10/29		PICOBLADE 1.25 W/B CONN. SMT R/A EMBOSSED TAPE PACKAGE	
GENERAL TOLERANCES (UNLESS SPECIFIED)		CHK'D: KOMURAKAMI 2019/10/30		PRODUCT CUSTOMER DRAWING	
ANGULAR TOL	± 3.0 °	APPR: AIDA 2019/10/30		DOCUMENT NUMBER	
4 PLACES	± 0.2	INITIAL REVISION:		SD-53261-023	
3 PLACES	± 0.2	DRWN: HSHIMABUKURO 2004/02/20		DOC TYPE	DOC PART
2 PLACES	± 0.2	APPR: MSASAO 2004/02/20		PSD	001
1 PLACE	± 0.2	DRAFT WHERE APPLICABLE MUST REMAIN WITHIN DIMENSIONS		REVISION	F
0 PLACES	± 0.2	THIRD ANGLE PROJECTION	DRAWING	SERIES	SHEET NUMBER
		⊕	A3-SIZE	53261	4 OF 4
				MATERIAL NUMBER	CUSTOMER
				SEE CHART	GENERAL MARKET

DOCUMENT STATUS	RELEASE DATE
-----------------	--------------

