



湖南艾华集团股份有限公司

HUNAN AIHUA GROUP CO.,LTD

# **POLYMER ALUMINUM SOLID ELECTROLYTIC CAPACITORS**

**CATEGORY: MULTI-LAYER TYPE**

**SERIES: A1**

**EDITION: Rev.A (2017)**

# A1 Series

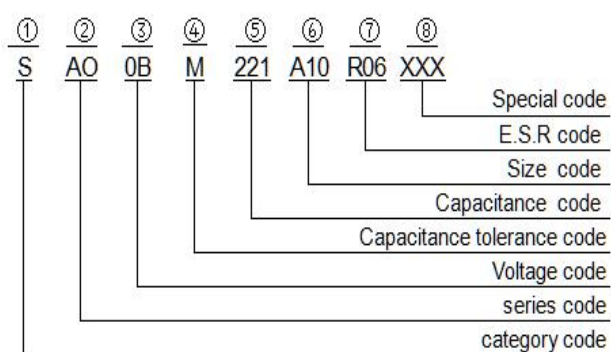


- ▶ Endurance :2000 hours at 105 °C
- ▶ Low ESR
- ▶ Recommended Applications: System Board ,Display Card, Small Changer
- ▶ RoHS Compliance and lead-free

## ◆ Specifications

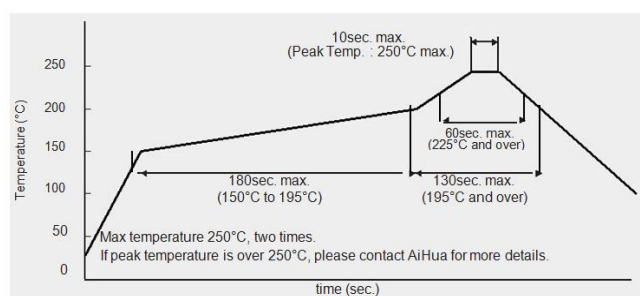
Items	Performance Characteristics	
Operating Temperature Range	- 55°C ~ 105°C	
Rated Working Voltage Range	2V ~35V.DC	
Nominal Capacitance Range	2.2μF~560μF	
Capacitance Tolerance	±20%(M) (at 20°C,120Hz)	
DC Leakage Current	I ≤0.06CV ( μA ) 2 minutes (2V ~ 10V.DC) I ≤0.1CV ( μA ) 2 minutes (12.5V ~ 35V.DC)	
tan δ	≤0.06~0.1 (120HZ,20°C)	
Surge Voltage	Rated voltage x 1.25 (2V.DC to 16V.DC) ,x1.15(20V.DC to 25V.DC) (15°C ~ 35°C)	
Endurance (+105°C, 2,000 hours, rated voltage applied)	ΔC/C	Within ±20% of the initial measured value
	tan δ	≤150% of the initial specified value
	LC	≤The initial specified value
Moisture Resistance After storing for 500 hours at 60°C, 90%RH	ΔC/C	+70, -20% (2V~2.5V.DC) +60, -20% (4V.DC) +50, -20% (6.3V~7.5V.DC) +40, -20%(8V~35V)
	tan δ	≤200% of the initial specified value
	LC	≤The initial specified value

## ◆ Part Numbering

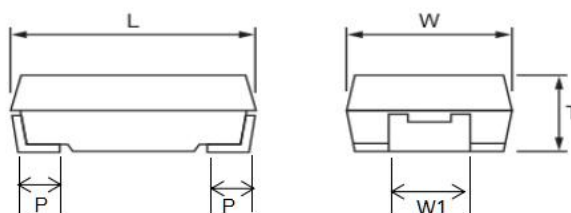
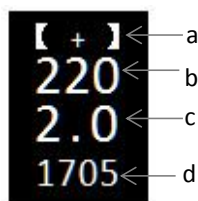


## ◆ Reflow Soldering Conditions

### Recommended Reflow Profile



## ◆ Mark & Dimension



- a): Polarity code
- b): Capacitance code
- c): Rated voltage code
- d): Date code

Series Code	L(±0.3)	W(±0.2)	T(±0.2)	P(±0.2)	W1 (±0.2)
A1	7.3	4.3	1.9	1.3	2.4

◆ STANDARD RATINGS

Rated Voltage VDC	Cap. (uF)120HZ, 20°C	Size (LxWxT mm)	Cap Tolerance(%)	ESR (mΩ),20°C 100kHz (max.)	Rated ripple current(mArms) 100kHz, 20°C-105°C	Leakage Current (uA max) 20°C	Min. Packaging Quantity (PCS)	Part Number
2	330	7.3*4.3*1.9	M	9	3500	132	3500	SA10BM331A19R09XXX
2	330	7.3*4.3*1.9	L	7	3500	40	3500	SA10BL331A19R07XXX
2	330	7.3*4.3*1.9	L	9	3500	132	3500	SA10BL331A19R09XXX
2	470	7.3*4.3*1.9	M	4.5	3500	56.4	3500	SA10BM471A19R04XXX
2	470	7.3*4.3*1.9	M	6	3500	56.4	3500	SA10BM471A19R06XXX
2	470	7.3*4.3*1.9	M	9	3500	56.4	3500	SA10BM471A19R09XXX
2.5	100	7.3*4.3*1.9	M	16	2000	15.0	3500	SA10EM101A19R16XXX
2.5	150	7.3*4.3*1.9	M	9	3000	22.5	3500	SA10EM151A19R09XXX
2.5	180	7.3*4.3*1.9	M	9	3000	27.0	3500	SA10EM181A19R09XXX
2.5	220	7.3*4.3*1.9	M	9	3000	33.0	3500	SA10EM221A19R09XXX
2.5	220	7.3*4.3*1.9	L	9	3000	33.0	3500	SA10EL221A19R09XXX
2.5	270	7.3*4.3*1.9	M	9	3500	40.5	3500	SA10EM271A19R09XXX
2.5	330	7.3*4.3*1.9	M	7	3500	49.5	3500	SA10EM331A19R07XXX
2.5	330	7.3*4.3*1.9	M	9	3500	49.5	3500	SA10EM331A19R09XXX
2.5	470	7.3*4.3*1.9	M	4.5	3500	70.5	3500	SA10EM471A19R04XXX
2.5	470	7.3*4.3*1.9	M	6	3500	70.5	3500	SA10EM471A19R06XXX
4	68	7.3*4.3*1.9	M	20	1900	16.3	3500	SA10GM680A19R20XXX
4	82	7.3*4.3*1.9	M	16	2100	19.7	3500	SA10GM820A19R16XXX
4	120	7.3*4.3*1.9	M	16	2100	28.8	3500	SA10GM121A19R16XXX
4	150	7.3*4.3*1.9	M	16	2100	36.0	3500	SA10GM151A19R16XXX
4	220	7.3*4.3*1.9	M	15	3000	52.8	3500	SA10GM221A19R15XXX
6.3	10	7.3*4.3*1.9	M	55	1000	3.8	3500	SA10JM100A19R55XXX
6.3	22	7.3*4.3*1.9	M	80	1000	8.3	3500	SA10JM220A19R80XXX
6.3	33	7.3*4.3*1.9	M	80	1800	12.5	3500	SA10JM330A19R80XXX
6.3	47	7.3*4.3*1.9	M	35	1800	17.8	3500	SA10JM470A19R35XXX
6.3	47	7.3*4.3*1.9	M	40	1800	17.8	3500	SA10JM470A19R40XXX
6.3	68	7.3*4.3*1.9	M	15	2000	25.7	3500	SA10JM680A19R15XXX
6.3	100	7.3*4.3*1.9	M	15	2000	37.8	3500	SA10JM101A19R15XXX
6.3	100	7.3*4.3*1.9	M	20	1900	37.8	3500	SA10JM101A19R20XXX
6.3	120	7.3*4.3*1.9	M	10	3000	45.4	3500	SA10JM121A19R10XXX
6.3	150	7.3*4.3*1.9	M	10	3000	56.7	3500	SA10JM151A19R10XXX
6.3	150	7.3*4.3*1.9	M	15	3000	56.7	3500	SA10JM151A19R15XXX
6.3	220	7.3*4.3*1.9	M	10	3000	83.2	3500	SA10JM221A19R10XXX
6.3	220	7.3*4.3*1.9	M	15	3000	83.2	3500	SA10JM221A19R15XXX
7.5	150	7.3*4.3*1.9	M	10	3000	67.5	3500	SA10AM151A19R10XXX
7.5	200	7.3*4.3*1.9	M	12	3000	90.0	3500	SA10AM201A19R12XXX

