

C41

Water Cooled Resonant Capacitor

Water Cooled Resonant Capacitor C41-BA3



Characteristics

- Conduction water-cooled
- Polypropylene dielectric
- Low dissipation factor($\text{tg}\delta$), low ESL and low ESR
- High voltage, high frequency and high dv/dt
- High current resistance, excellent heat dissipation

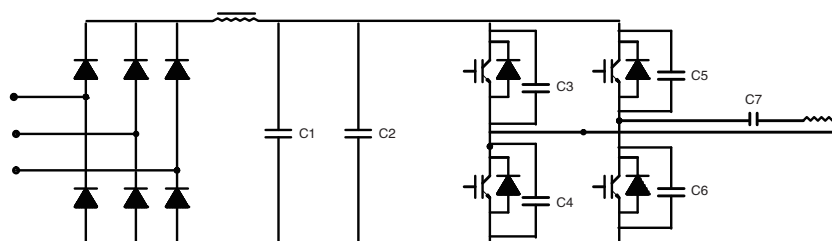
Application

- Widely used in high power and high frequency resonant devices

Technical Data

● Reference standards	GB/T 3984-2004 IEC 60110.1
● Operating temperature range	-40°C~+85°C
● Capacitance range	0.1 μF ~85 μF
● Rated capacitance	100kVar-1500 kVar
● Rated voltage	400VAC-1100VAC
● Tolerance	$\pm 5\%$ $\pm 10\%$
● Test voltage between terminals	1.5 U_{NAC} 10s
	3.5 U_{NDC} 10s at 25°C $\pm 5^\circ\text{C}$
● Dissipation factor	$\text{tg}\delta \leq 5 \times 10^{-4}$ at 25°C $\pm 5^\circ\text{C}$, 1kHz
● Insulation resistance	$R \cdot C \geq 3000\text{s}$, at 100VDC, 25°C $\pm 5^\circ\text{C}$, 60s
● Life expectancy	100000h at U_{N} and 70°C, 30000h at U_{rms}

Typical Circuit

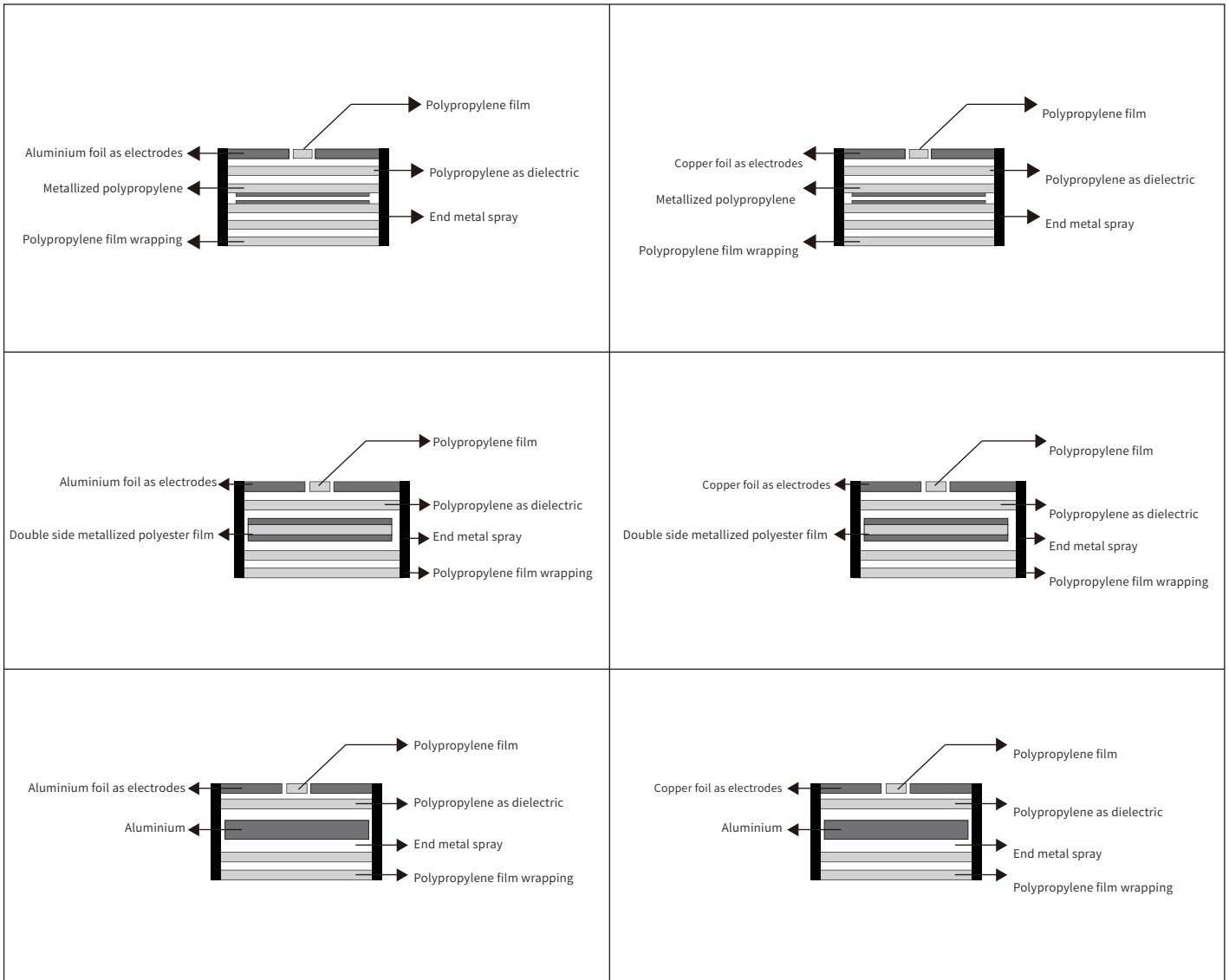


C7 is the water-cooled capacitor in the series resonant capacitor

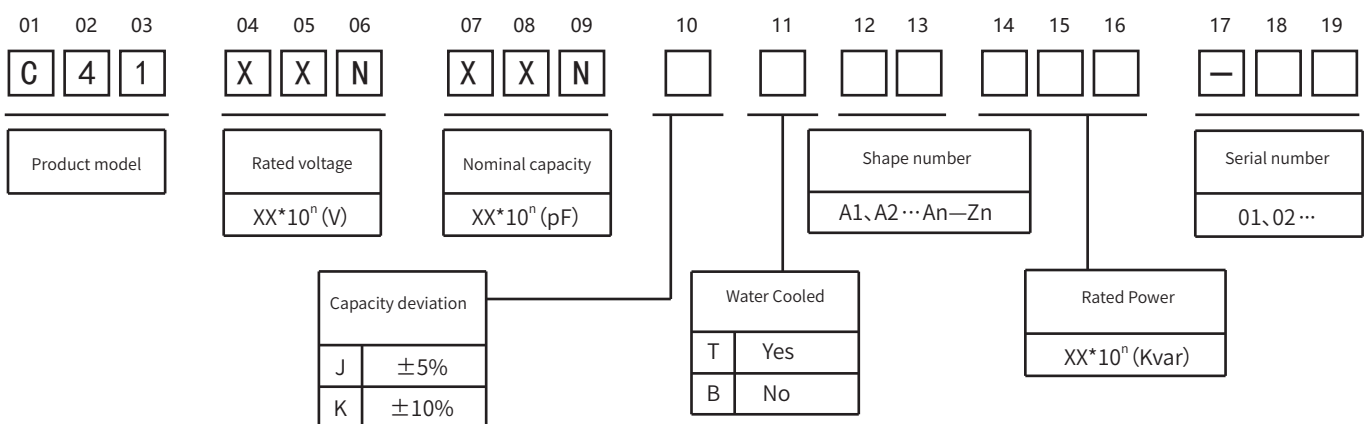
C41

Water Cooled Resonant Capacitor

Construction Diagram



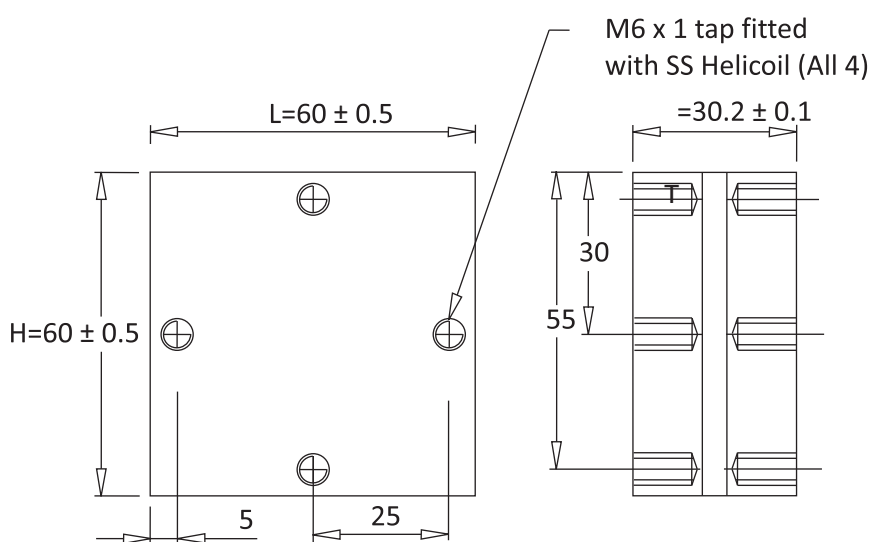
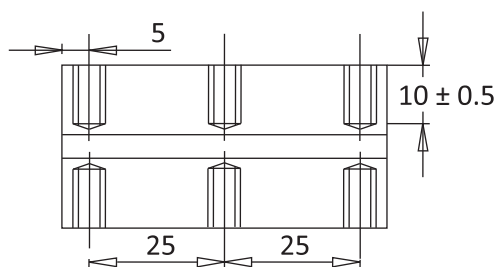
Product Coding



C41

Water Cooled Resonant Capacitor

C41-BA3



Article Table

Part Number	Rated Voltage Vrms	Nominal Capacitance μF at 1Khz	Max Irms A	Max Power kVar	Freq Range @Full Power (kHz)	ESR m Ω	Dimension (mm)			Case Code
							L	H	T	
C41701135KBA3601...	700	1.33	950	600	148-179	0.3	60	60	30.2	BA3
C41601265KBA3601...	600	2.60	1050	600	101-112	0.3	60	60	30.2	BA3
C41501505KBA3601...	500	5.00	1200	600	76	0.2	60	60	30.2	BA3

C41

Water Cooled Resonant Capacitor

Temperature Characteristics

—●— Voltage —■— Current —▲— Power

