

C41

Water Cooled Resonant Capacitor

## Water Cooled Resonant Capacitor C41-BA1



### Characteristics

- Conduction water-cooled
- Polypropylene dielectric
- Low dissipation factor( $\text{tg}\delta$ ), low ESL and low ESR
- High voltage, high frequency and high  $\text{dv}/\text{dt}$
- High current resistance, excellent heat dissipation

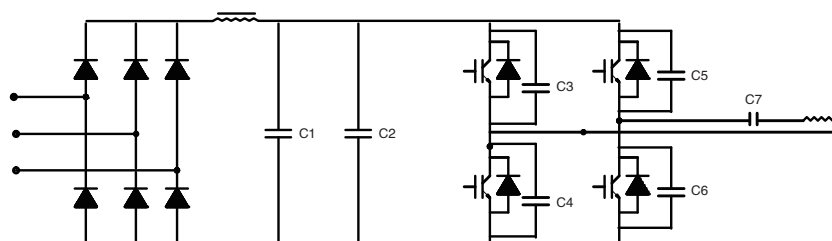
### Application

- Widely used in high power and high frequency resonant devices

### Technical Data

● Reference standards	GB/T 3984-2004 IEC 60110.1
● Operating temperature range	-40°C~+85°C
● Capacitance range	0.1μF~85μF
● Rated capacitance	100kVar-1500 kVar
● Rated voltage	400VAC-1100VAC
● Tolerance	±5% ±10%
● Test voltage between terminals	1.5 $U_{\text{NAC}}$ 10s
	3.5 $U_{\text{NDC}}$ 10s at 25°C±5°C
● Dissipation factor	$\text{tg}\delta \leq 5 \times 10^{-4}$ at 25°C±5°C, 1kHz
● Insulation resistance	$R \cdot C \geq 3000\text{s}$ , at 100VDC, 25°C±5°C, 60s
● Life expectancy	100000h at $U_{\text{N}}$ and 70°C, 30000h at $U_{\text{rms}}$

### Typical Circuit

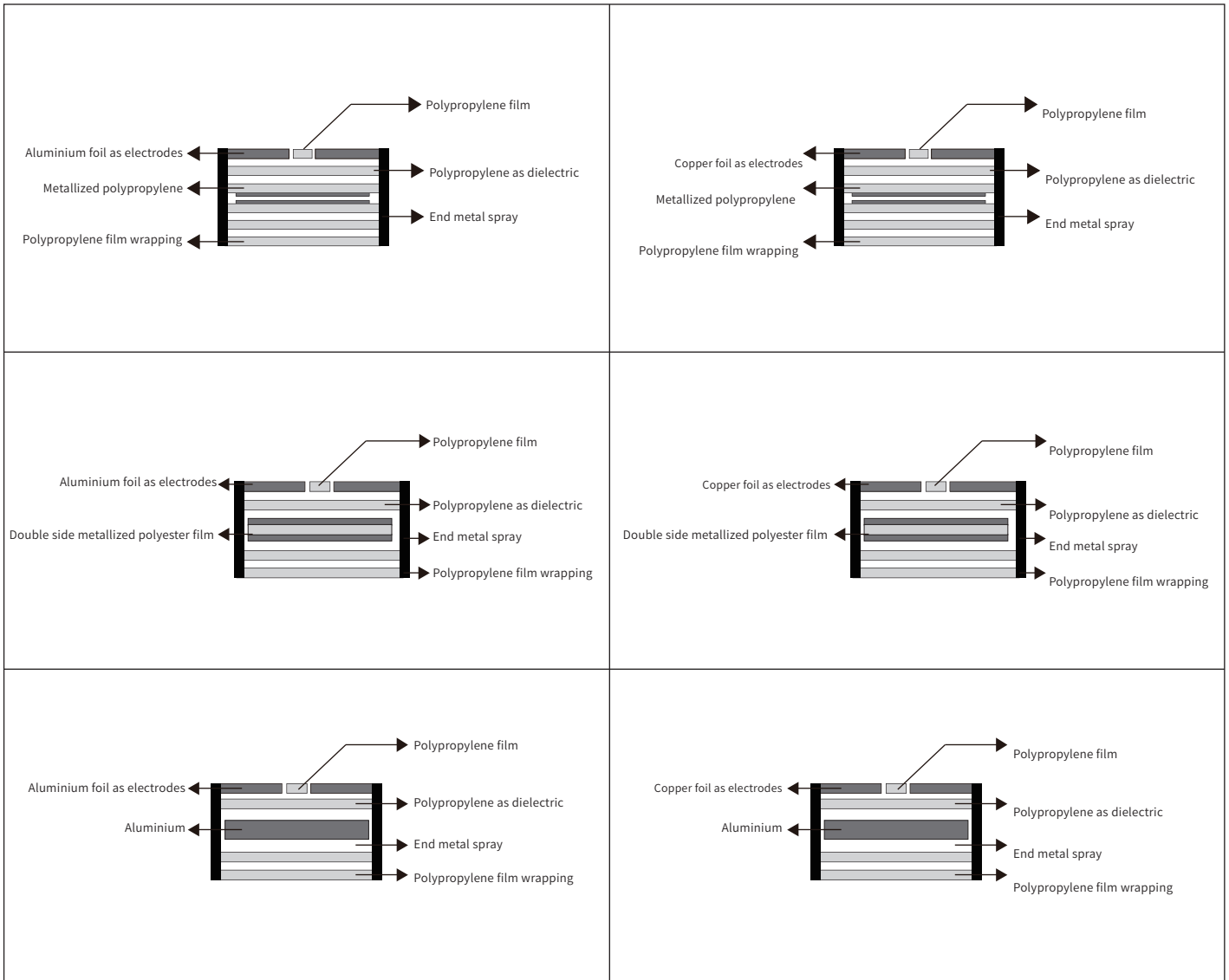


C7 is the water-cooled capacitor in the series resonant capacitor

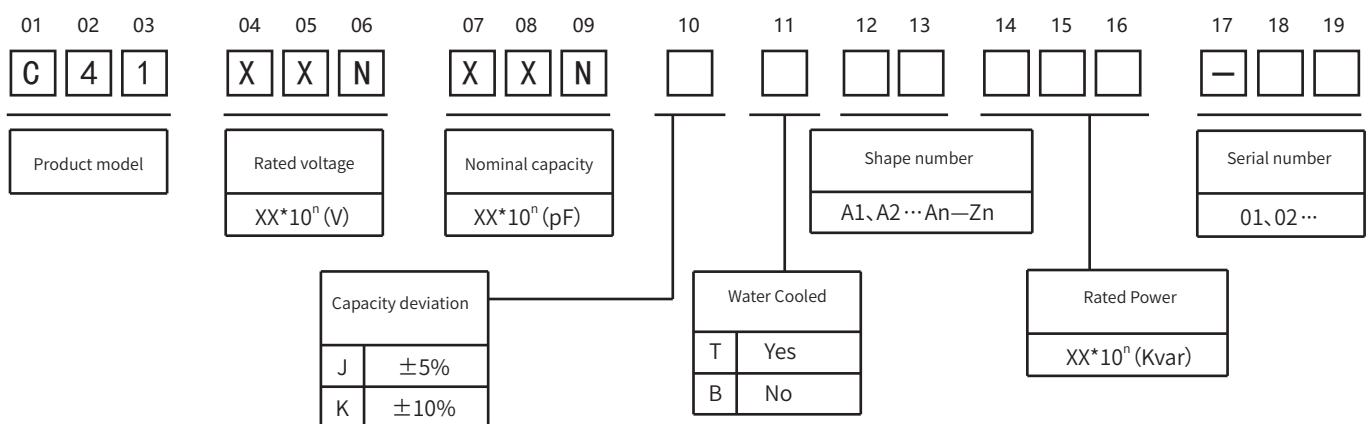
## C41

## Water Cooled Resonant Capacitor

### Construction Diagram



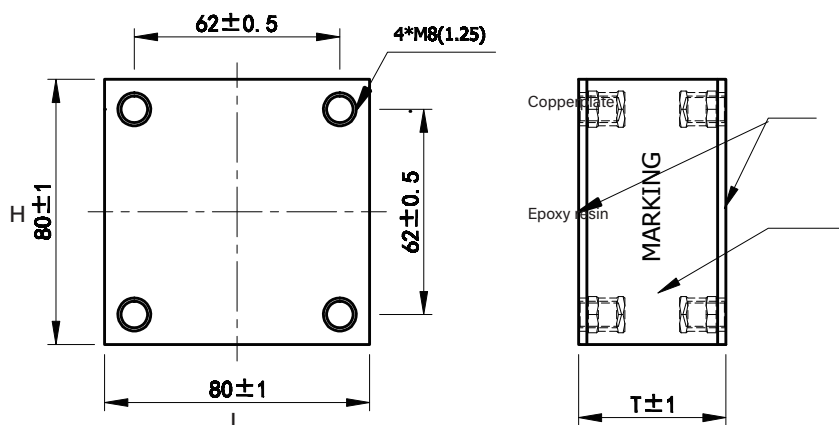
### Product Coding



## C41

## Water Cooled Resonant Capacitor

### C41—BA1



### Article Table

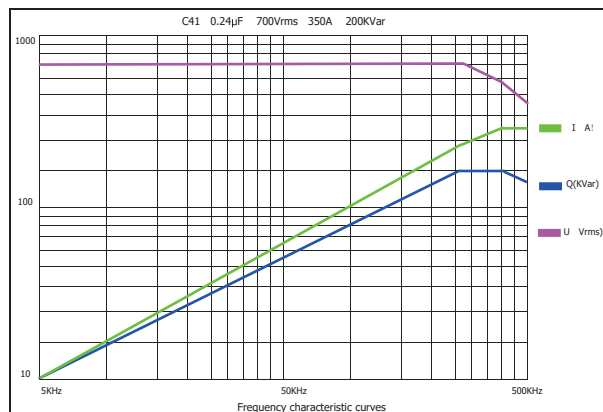
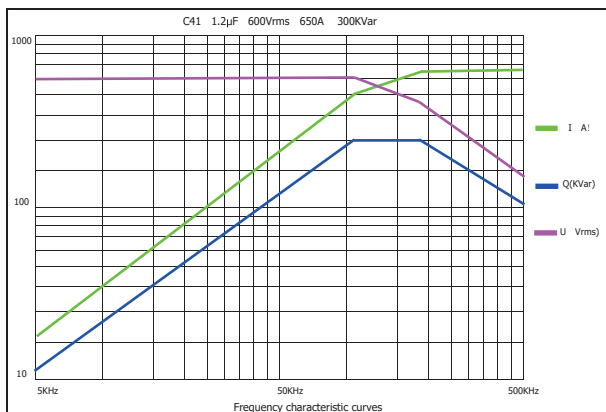
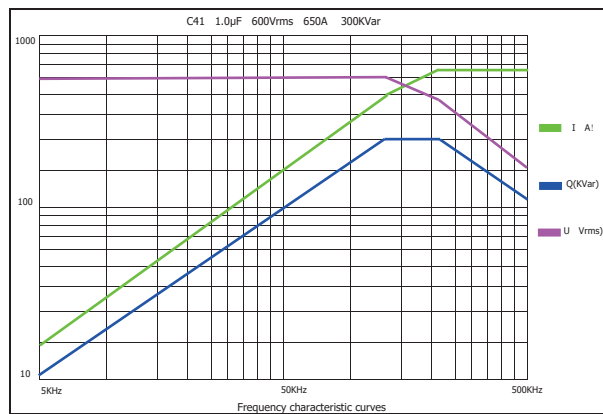
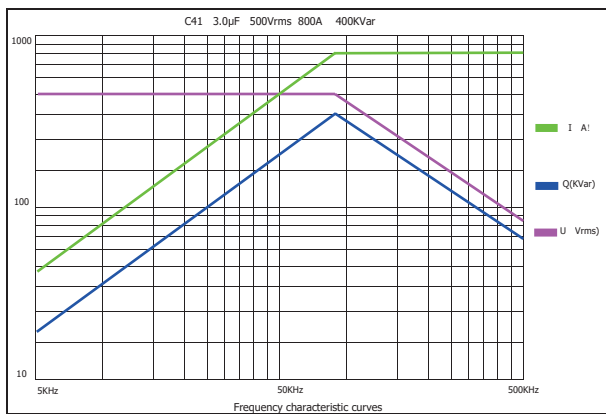
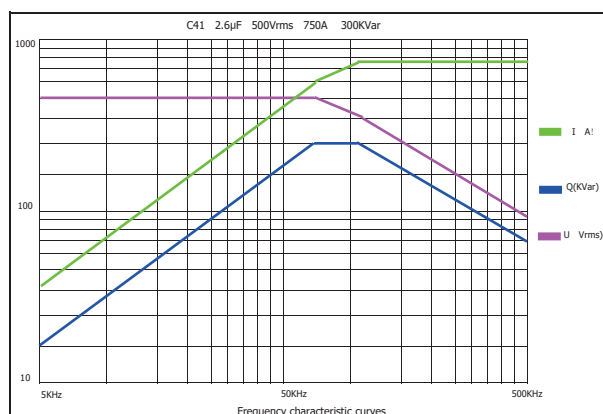
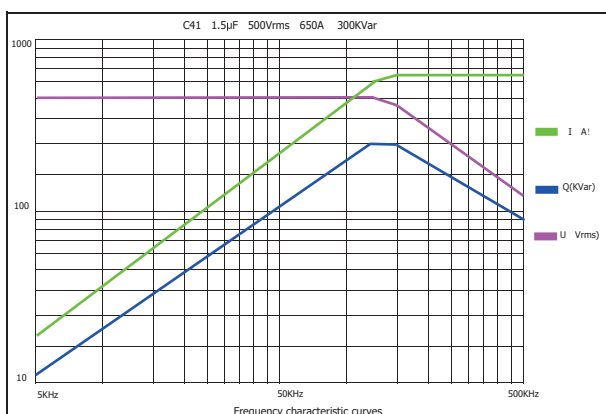
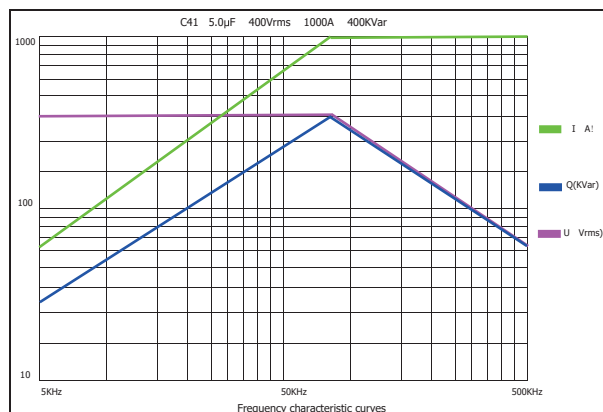
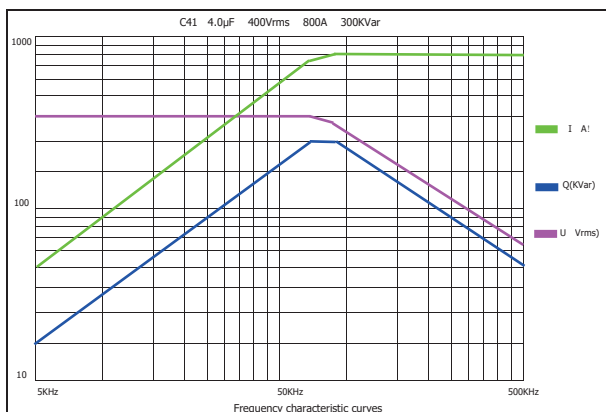
Part Number	Rated Voltage Vrms	Nominal Capacitance $\mu\text{F}$ at 1Khz	Max Irms A	Max Power kVar	Freq Range @Full Power (kHz)	ESR m $\Omega$	Dimension (mm)			Case Code
							L	H	T	
C41401405JBA1301-01	400	4.0	800	300	74.6~84.9	0.2	80	80	36.5	BA1
C41501155JBA1301-01	500	1.5	650	300	127.3~ 149.5	0.4	80	80	36.5	BA1
C41501265JBA1301-01	500	2.6	750	300	73.5~114.8	0.3	80	80	36.5	BA1
C41601105KBA1301-01	600	1.0	650	300	132.7~1224	0.4	80	80	36.5	BA1
C41601125KBA1301-01	600	1.2	650	300	110.6~ 186.9	0.4	80	80	36.5	BA1
C41701244KBA1201-01	700	0.24	350	200	270.8~ 406.4	1.3	80	80	36.5	BA1
C41701334KBA1301-01	700	0.33	500	300	295.4~402	1.0	80	80	36.5	BA1
C41701664KBA1301-01	700	0.66	500	300	147.7~201	0.8	80	80	36.5	BA1
C41701684JBA1301-01	700	0.68	500	300	143.4~195	0.8	80	80	36.5	BA1
C41102334KBA1301-01	1000	0.33	500	300	144.8~402	1.0	80	80	36.5	BA1
C41102664KBA1301-01	1000	0.66	500	300	72.4~201	0.8	80	80	36.5	BA1
C41102664KBA1401-01	1000	0.66	600	400	96.5~217	0.8	80	80	37.5	BA1
C41501305JBA1401-01	500	3.0	800	400	84.9	0.3	80	80	36.5	BA1
C41401505KBA1401-01	400	5.0	1000	400	79.6	0.2	80	80	36.5	BA1

The above table / graphics are for reference only, subject to the actual product (unit: mm)

## C41

## Water Cooled Resonant Capacitor

### Temperature Characteristics



## C41

## Water Cooled Resonant Capacitor

### Temperature Characteristics

