

C41

Water Cooled Resonant Capacitor

Water Cooled Resonant Capacitor C41-BA1



Characteristics

- Conduction water-cooled
- Polypropylene dielectric
- Low dissipation factor($tg\delta$), low ESL and low ESR
- High voltage, high frequency and high dv/dt
- High current resistance, excellent heat dissipation

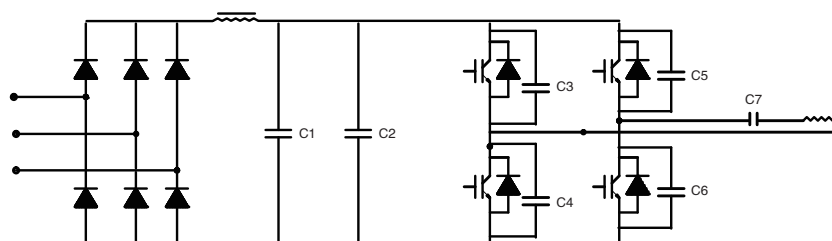
Application

- Widely used in high power and high frequency resonant devices

Technical Data

● Reference standards	GB/T 3984-2004 IEC 60110.1
● Operating temperature range	-40°C~+85°C
● Capacitance range	0.1μF~85μF
● Rated capacitance	100kVar-1500 kVar
● Rated voltage	400VAC-1100VAC
● Tolerance	±5% ±10%
● Test voltage between terminals	1.5U _{NAC} 10s
	3.5U _{NDC} 10s at 25°C±5°C
● Dissipation factor	$tg\delta \leq 5 \times 10^{-4}$ at 25°C±5°C, 1kHz
● Insulation resistance	$R \cdot C \geq 3000s$, at 100VDC, 25°C±5°C, 60s
● Life expectancy	100000h at U _N and 70°C, 30000h at U _{rms}

Typical Circuit

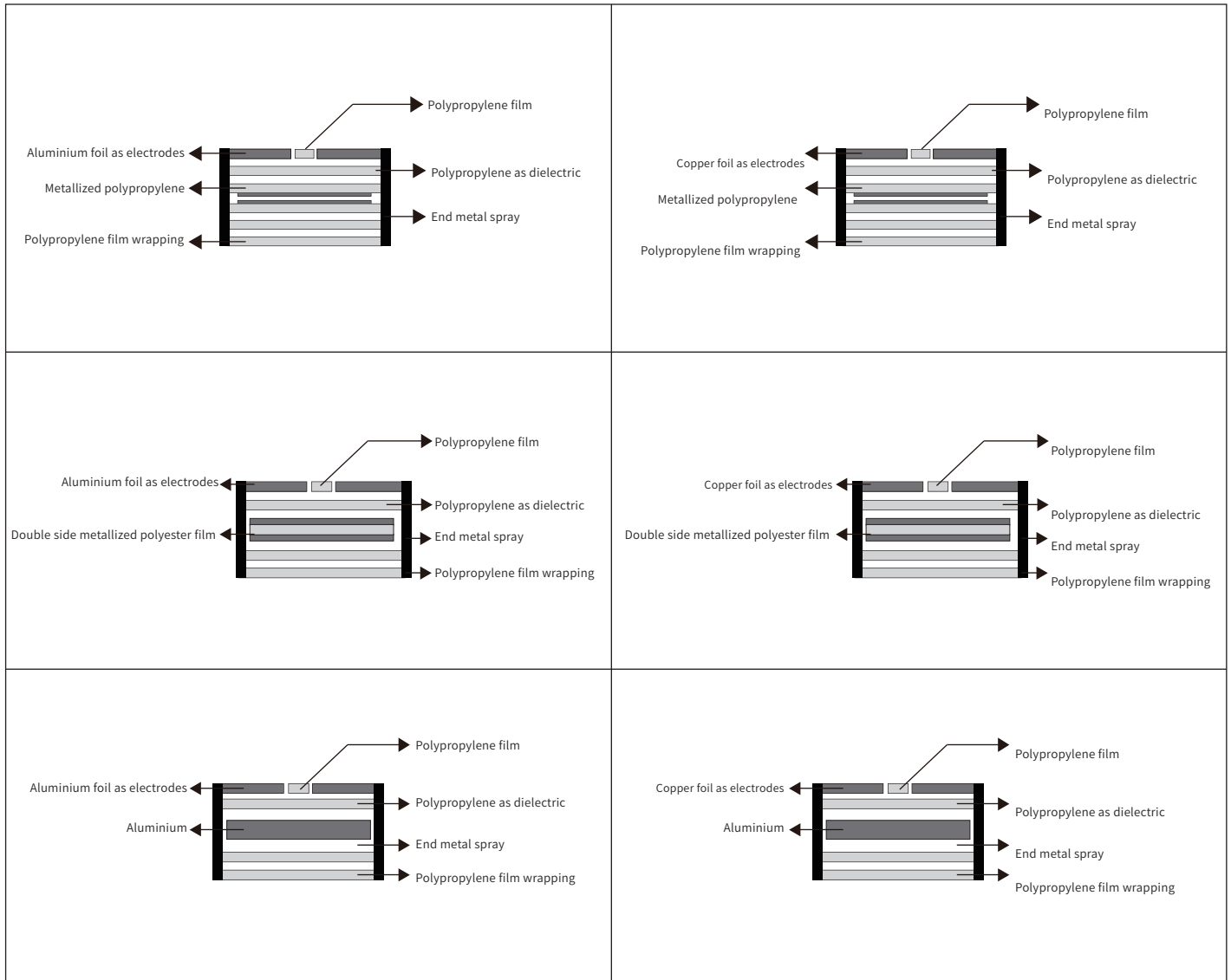


C7 is the water-cooled capacitor in the series resonant capacitor

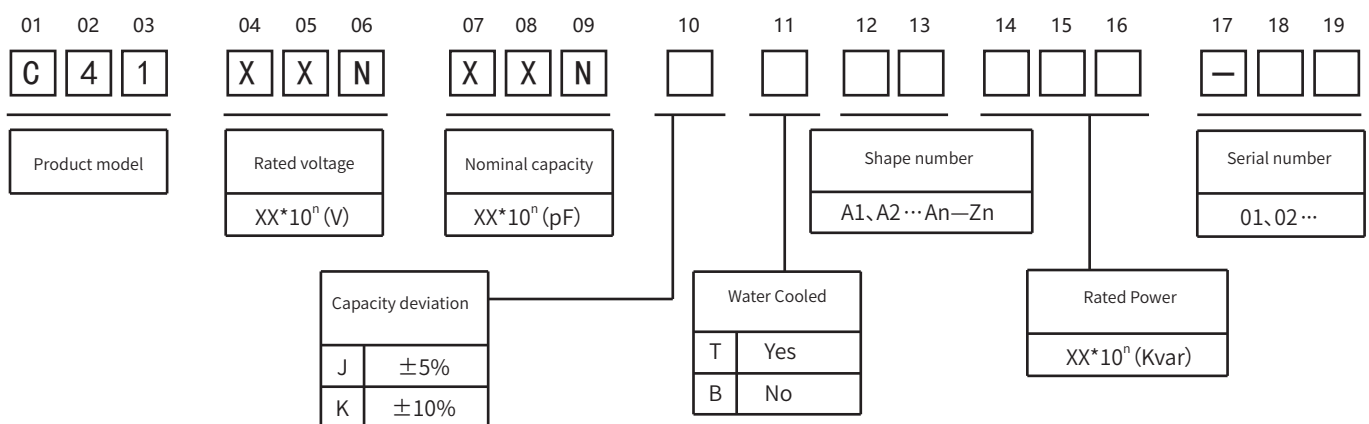
C41

Water Cooled Resonant Capacitor

Construction Diagram



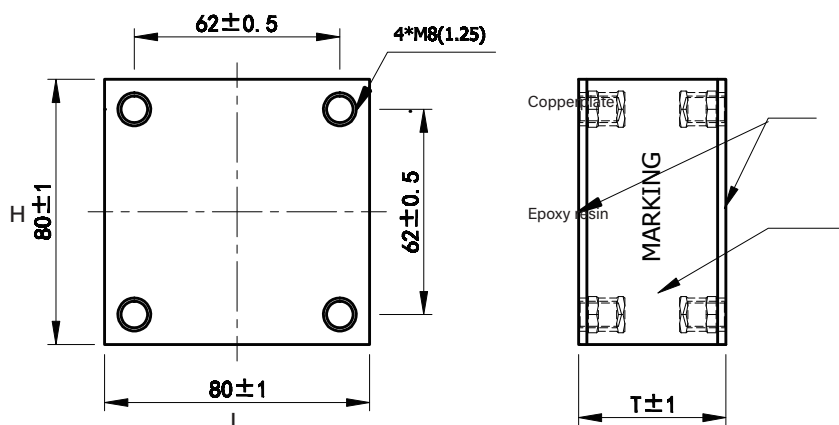
Product Coding



C41

Water Cooled Resonant Capacitor

C41—BA1



Article Table

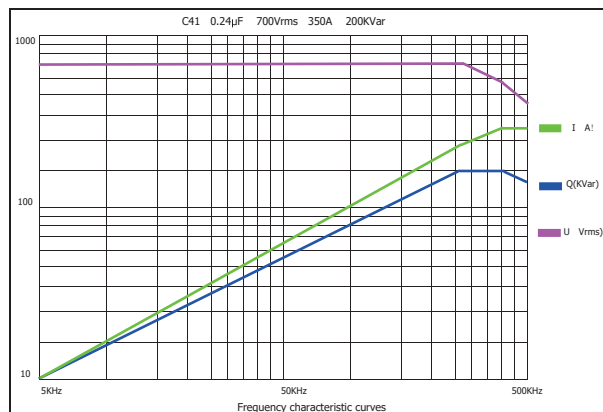
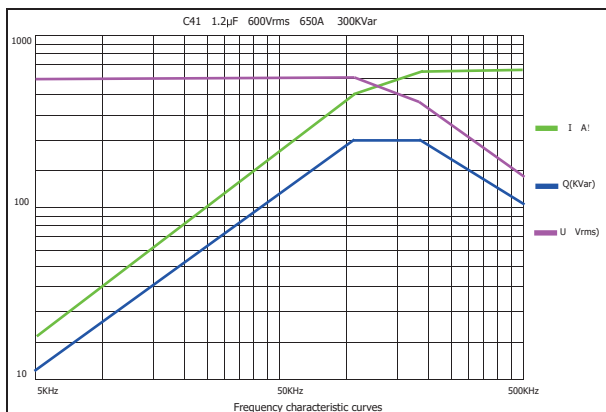
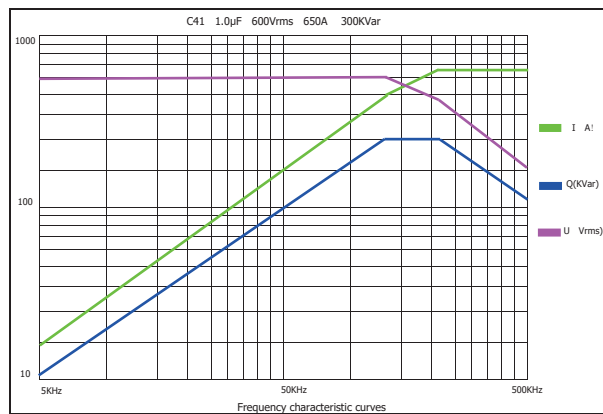
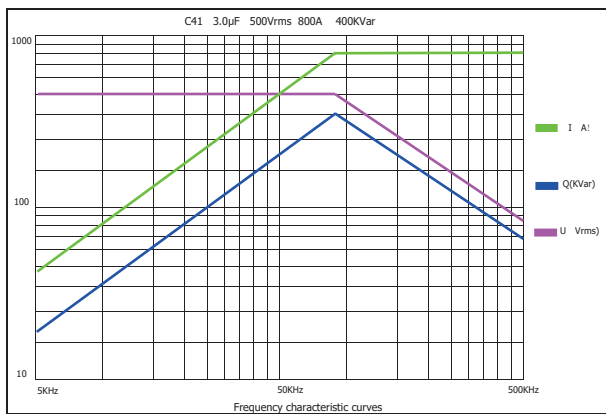
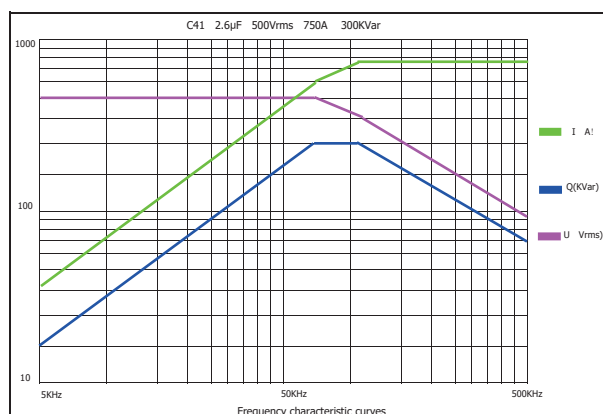
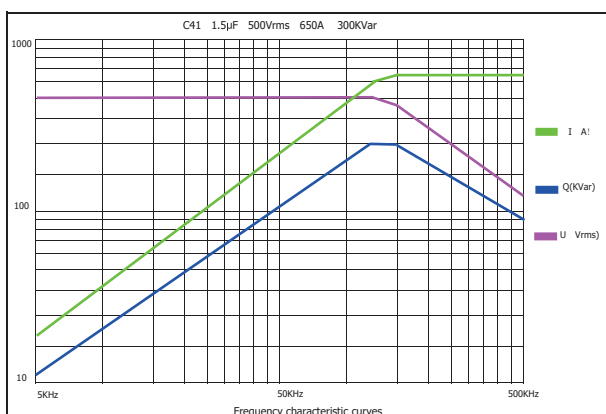
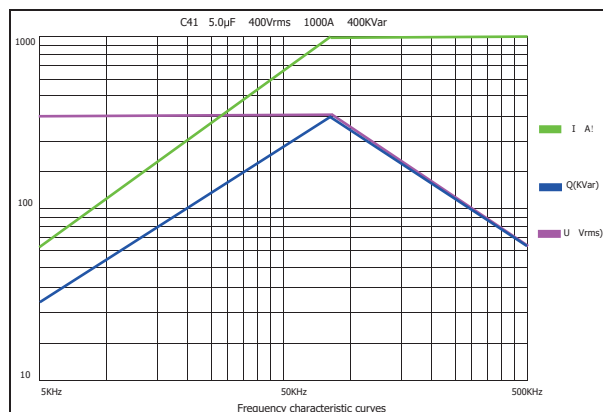
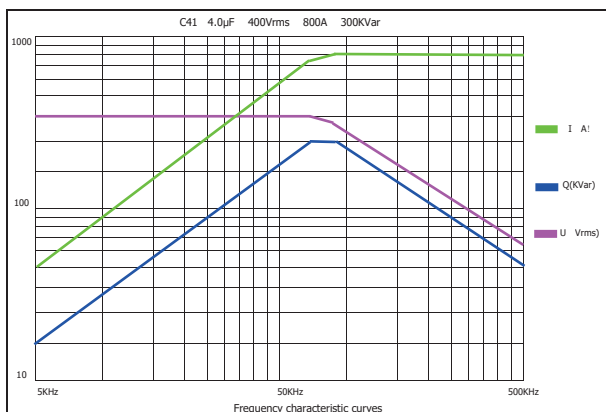
Part Number	Rated Voltage Vrms	Nominal Capacitance μF at 1Khz	Max Irms A	Max Power kVar	Freq Range @Full Power (kHz)	ESR m Ω	Dimension (mm)			Case Code
							L	H	T	
C41401405JBA1301-01	400	4.0	800	300	74.6~84.9	0.2	80	80	36.5	BA1
C41501155JBA1301-01	500	1.5	650	300	127.3~ 149.5	0.4	80	80	36.5	BA1
C41501265JBA1301-01	500	2.6	750	300	73.5~114.8	0.3	80	80	36.5	BA1
C41601105KBA1301-01	600	1.0	650	300	132.7~1224	0.4	80	80	36.5	BA1
C41601125KBA1301-01	600	1.2	650	300	110.6~ 186.9	0.4	80	80	36.5	BA1
C41701244KBA1201-01	700	0.24	350	200	270.8~ 406.4	1.3	80	80	36.5	BA1
C41701334KBA1301-01	700	0.33	500	300	295.4~402	1.0	80	80	36.5	BA1
C41701664KBA1301-01	700	0.66	500	300	147.7~201	0.8	80	80	36.5	BA1
C41701684JBA1301-01	700	0.68	500	300	143.4~195	0.8	80	80	36.5	BA1
C41102334KBA1301-01	1000	0.33	500	300	144.8~402	1.0	80	80	36.5	BA1
C41102664KBA1301-01	1000	0.66	500	300	72.4~201	0.8	80	80	36.5	BA1
C41102664KBA1401-01	1000	0.66	600	400	96.5~217	0.8	80	80	37.5	BA1
C41501305JBA1401-01	500	3.0	800	400	84.9	0.3	80	80	36.5	BA1
C41401505KBA1401-01	400	5.0	1000	400	79.6	0.2	80	80	36.5	BA1

The above table / graphics are for reference only, subject to the actual product (unit: mm)

C41

Water Cooled Resonant Capacitor

Temperature Characteristics



C41

Water Cooled Resonant Capacitor

Temperature Characteristics

