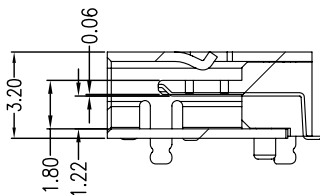
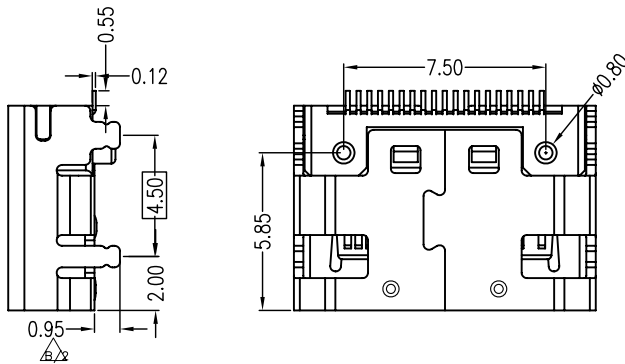
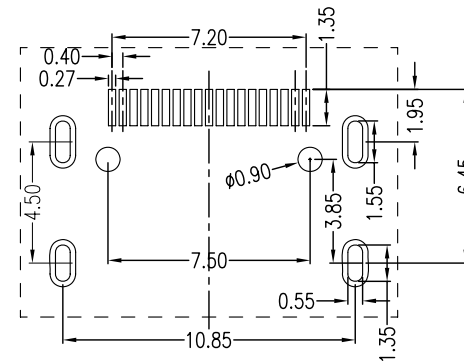
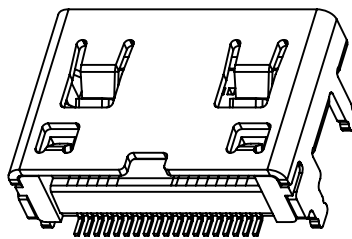


SECTION A-A



SECTION B-B



RECOMMENDED P.C.B HOLE LAYOUT COMPONENT SIDE VIEW (TOLERANCE: +/-0.05)

NOTES:

- 1.MATERIAL:
HOUSING: HIGH TEMPERATURE THERMOPLASTIC UL94V_0,COLOR:BLACK.
CONTACT: COPPER ALLOYS.
COVER: COPPER ALLOYS OR STEEL.
- 2.PLATING:
UNDERPLATE: NICKEL.
CONTACT AREA: GOLD OVER NICKEL.
SOLDER AREA: GOLD OVER NICKEL.
- 3.MULTIMEDIA CARD COMPATIBLE



深圳市华宇创精密电子有限公司

TOLERANCE: X.X ±0.30 X.XX ±0.25 X.XXX ±0.15 X' ±2' X.X' ±0.5'	DRAWN BY : 陈一鸣	DATE : 2014-02-23	PART NAME: HDMI C TYPE 四脚DIP 脚距4.5
	CHECKED BY: 马跃	DATE : 2014-02-23	PART NO. HYC28-HDMIC19-450
UNIT: mm [inch] SCALE:1:1 SIZE: A4	APPROVED BY:	DATE : 2014-02-23	DRAW NO: HYC-HDMI17032210
			SHEET NO. 1 OF 1