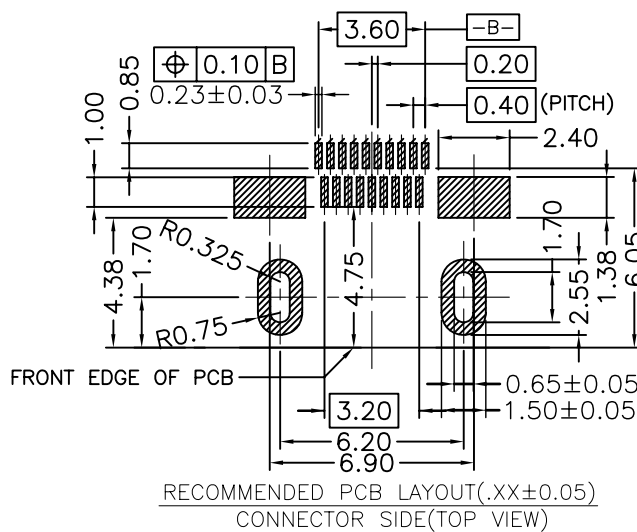
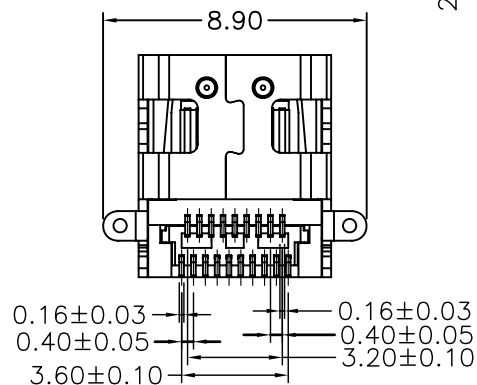
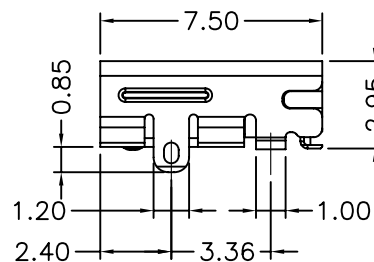
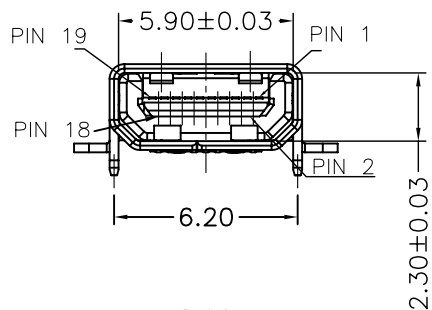


PIN	Signal Assignment	PIN	Signal Assignment
1	Hot Plug Detect	2	Utility
3	TMDS Data2+	4	TMDS Data2 Shield
5	TMDS Data2-	6	TMDS Data1+
7	TMDS Data1 Shield	8	TMDS Data1-
9	TMDS Data0+	10	TMDS Data0 Shield
11	TMDS Data0-	12	TMDS Clock+
13	TMDS Clock Shield	14	TMDS Clock-
15	CEC	16	DDC/CEC Ground
17	SCL	18	SDA
19	+5V Power		



NOTE:
 1.MATERIAL AND FINISH SEE THE TABLE.
 2.MECHANICAL CHARACTERISTICS
 INSERTION FORCE: 44.1N MAX
 EXTROCTION FORCE: 5N MIN(AFTER 5000 CYCLES 3N MIN.), 25N MAX.
 MATING CYCLE:5000 CYCLES
 3.ELECTRICAL CHARACTERISTICS
 RATING CURRENT: 0.5A
 RATING VOLTAGE: 40V
 CONTACT RESISTANCE: 10 MILLOHMS OHMS MAX (EXCLDUING CONDUCTOR RESISTANCE)
 INSULATION RESISTANCE:
 a, UNMATED: 100M OHMS MIN AT 500 VDC
 b, MATED: 10M OHMS MIN AT 150 VDC
 DIELECTRIC WITHSTANDING VOLTAGE:
 250V AC/1MINUTE
 OPERATING TEMPERATURE: -20°C---+85°C
 STORAGE TEMPERATURE: -20°C---+65°C



深圳市华宇创精密电子有限公司

TOLERANCE: X.X ±0.30 X.XX ±0.25 X.XXX ±0.15 X' ±2' X.X' ±0.5'	DRAWN BY : 陈一鸣	DATE : 2014-02-23	PART NAME: HDMI D TYPE 外壳前插后贴 端子SMT
	CHECKED BY: 马跃	DATE : 2014-02-23	PART NO. HYC26-HDMI19-890
UNIT: mm [inch] SCALE:1:1 SIZE: A4	APPROVED BY: /	DATE : 2014-02-23	DRAW NO: HYC-HDMI17090617
			SHEET NO. 1 OF 1