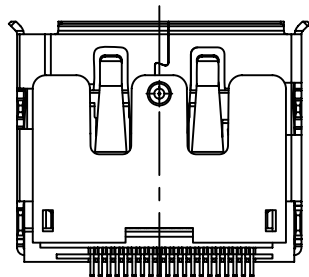
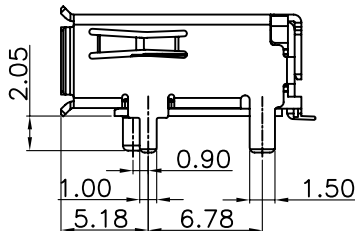
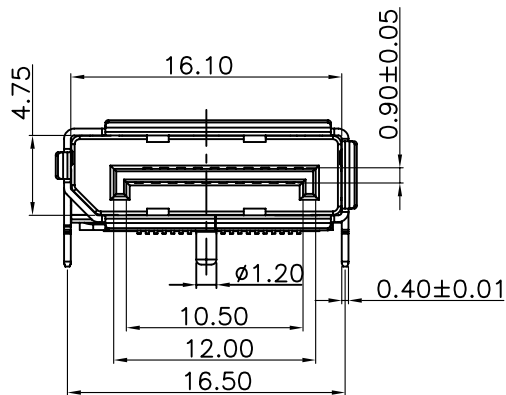


RECOMMENDED P.C.B LAYOUT(PCB THICKNESS: 1.6mm)  
COMPONENT SIDE VIEW(TOLERANCE: ±0.05)



SPECIFICATIONS:

1. ELECTRICAL CHARACTERISTICS

- 1-1. CURRENT RATING: 0.5 AMP
- 1-2. VOLTAGE RATING: 40 V
- 1-3. CONTACT RESISTANCE: 30MILLIOHMS MAX
- 1-4. INSULATION RESISTANCE:100M MIN.@500V DC
- 1-5. DIELECTRIC WITHSTANDING VOLTAGE: 500V AC FOR 1 MINUTE

2. MECHANICAL CHARACTERISTICS:

- 2-1. INSERTION FORCE : 4.5KGF MAX.
- 2-2. WITHDRAWING FORCE : 1KGF ~ 4KGF.
- 3. LIFE TEST: 10000 CYCLES
- 4. OPERATING TEMPERATURE: -25°C TO +85°C
- 5. PART NO. DESCRIPTION:

C	SHELL	1	C2680R-H Ni 50u" T=0.4mm PLATING ALL OVER
B	TERMINAL	19	C2680R-H SEE PART NO.
A	HOUSING	1	LCP E130i UL94V-0 BLACK
NO	PART NAME	QTY	MATERIAL PLATING & COLOR



深圳市华宇创精密电子有限公司

TOLERANCE: X.X ±0.30 X.XX ±0.25 X.XXX ±0.15 X' ±2' X.X' ±0.5'	DRAWN BY : 陈一鸣	DATE : 2014-02-23	PART NAME: DP SMT 有弹无卡点
	CHECKED BY: 马跃	DATE : 2014-02-23	PART NO. HVC16-DP20-178
UNIT: mm [inch] SCALE:1:1 SIZE: A4	APPROVED BY:	DATE : 2014-02-23	PART NO. HVC-DP18052116
			SHEET NO. 1 OF 1