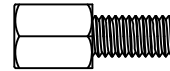


PCB Holes Diagram(Top View)



4.75\*4.80\*11.80

NOTES:

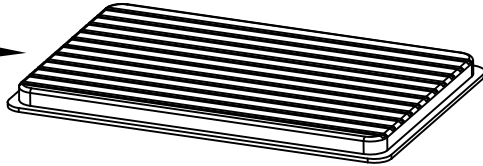
- \*HOUSING:PBT+30%G/F color: Blue
- \*CONTACT:BRASS T=0.3
- \*SHELL: SPCC T=0.3
- \*SCREW:SPCC
- \*GROUNDING:SPCC T=0.5
- \*ELECTRIC CHARACTERISTICS:
  - CONTACT CURRENT RATING: 3.0A MAX.;
  - CONTACT VOLTAGE RATING:100V DC;
  - CONTACT RESISTANCE: 30mΩ MAX.;
  - DIELECTRIC WITHSTANDING VOLTAGE:500V AC/60S;
  - INSULATION RESISTANCE: 1000 MΩ MIN.AT DC 500V.
- \*MECHANICAL CHARACTERISTICS:
  - DURABILITY: 5000 CYCLES.
  - INSERTION AND EXTRACTION FORCE:
  - INSERTION FORCE: 50N MAX.
  - EXTRACTION FORCE: 15N MIN.
- \*ENVIRONMENT CHARACTERISTICS:
  - OPERATING TEMPERATURE: -25°C~+70°C
  - HUMIDITY:45-85% RH.
  - CONTACT:UNDER PLATED 50u" MIN Ni OVER ALL 100u" MIN TIN IN SOLDERING AREA OR CONTACT AREA
  - SHELL: UNDER PLATED 50u" MIN Cu.over All 80u" MIN NICKEL
  - SCREW: UNDER PLATED 50u" MIN Cu.OVER ALL 80u" MIN NICKEL
  - GROUNDING:UNDER PLATED 50u" MIN Cu. UNDER PLATED 50u" MIN NICKEL. OVER ALL 100u" MIN TIN IN SOLDERING AREA.



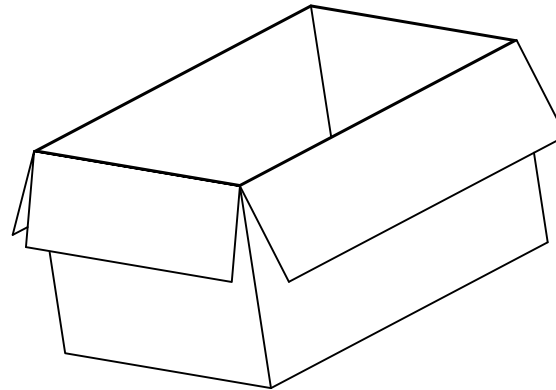
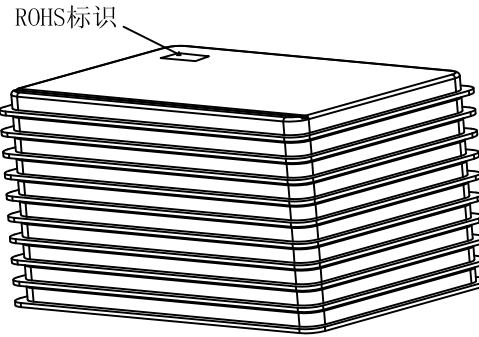
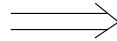
深圳市华宇创精密电子有限公司

TOLERANCE: X.X ±0.30 X.XX ±0.25 X.XXX ±0.15 X' ±2' X.X' ±0.5'	DRAWN BY : 吴迪	DATE : 2013-09-20	PART NAME: HDR3.08 母座直锁式
	CHECKED BY: 马跃	DATE : 2013-09-20	PART NO. HYC06-HDR15B-060
UNIT: mm [inch] SCALE:1:1 SIZE: A4	APPROVED BY:	DATE : 2013-09-20	MOLD NO.
			DRAW NO: HYC-HDR13200932
			SHEET NO. 1 OF 1

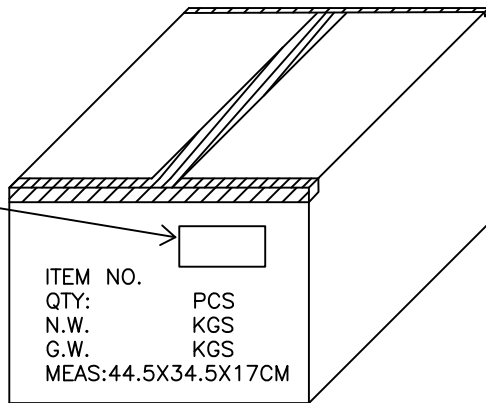
TRAY



共10层



标签贴示处



包装说明:

- 1.数量: 1盘=100Pcs,  
一叠10盘=1000Pcs  
一箱2叠=2000Pcs
- 2.每盘在左上角帖标签(按客户需求), 每10盘为一叠, 一箱两叠放入纸箱, 加干燥剂;
- 3.包材脏污破损不可使用, 包装过程中注意不可碰伤刮伤产品;
- 4.外箱材质为A=A, 要求破裂强度为16Kg;



深圳市华宇创精密电子有限公司

TOLERANCE:

X.X ±0.30  
X.XX ±0.25  
X.XXX ±0.15

X' ±2' X.X' ±0.5'



UNIT: mm [inch]

SCALE:1:1 SIZE: A4

DRAWN BY :

吴迪

DATE :

2013-09-20

PART NAME:

HDR3.08 母座直锁式

CHECKED BY:

马跃

DATE :

2013-09-20

PART NO.

HYC06-HDR15B-060

MOLD NO.

APPROVED BY:

邱国夷

DATE :

2013-09-20

DRAW NO:

HYC-HDR13200932

SHEET NO.

2 OF 2