



SAW Band Pass Filter

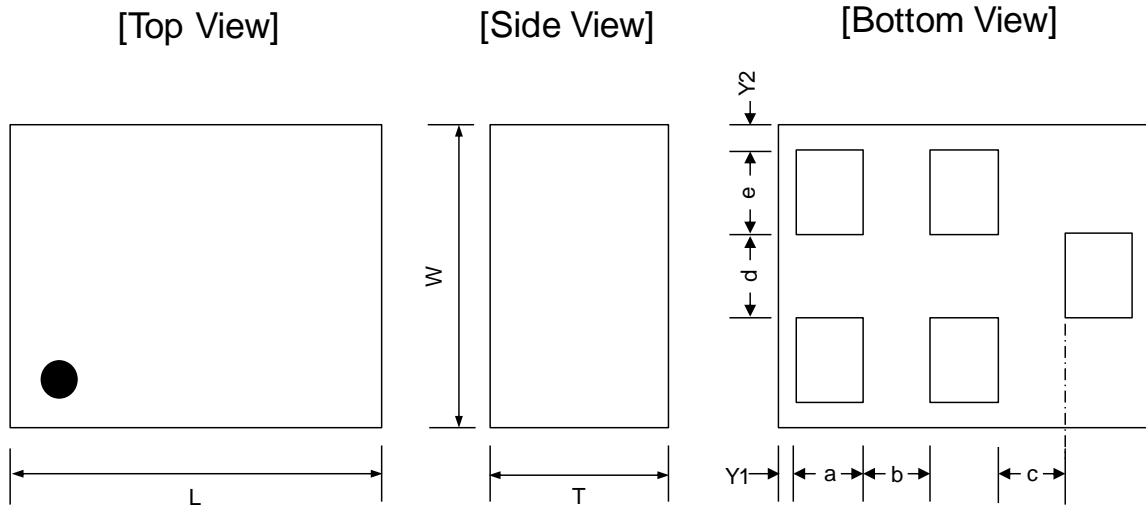
For LTE B2 Rx

1930-1990MHz

1.1x0.9mm Size

SAFI1109B02BPF1101

[Shapes and Dimensions]

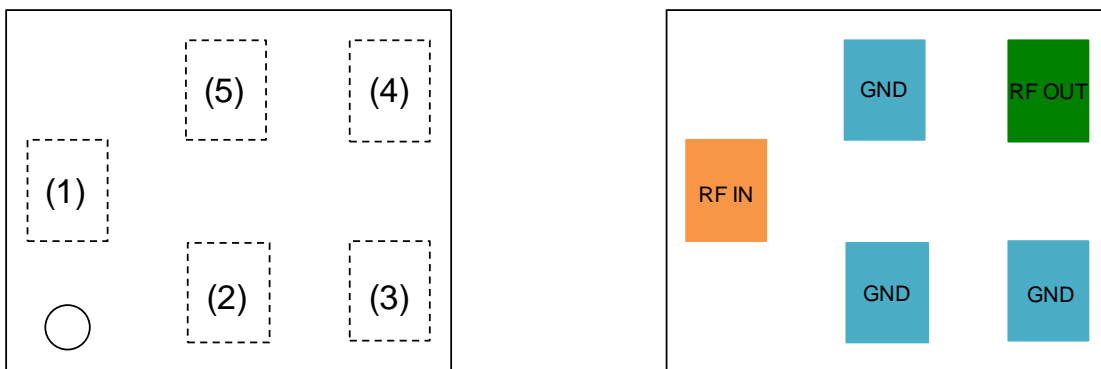


Dimensions (mm)

L	W	T	a	b	c	d	e	Y1	Y2
1.1	0.9	0.6	0.2	0.2	0.2	0.25	0.25	0.05	0.075
+/-0.10	+/-0.10	+/-0.05	+/-0.05	+/-0.05	+/-0.05	+/-0.05	+/-0.05	+/-0.05	+/-0.05

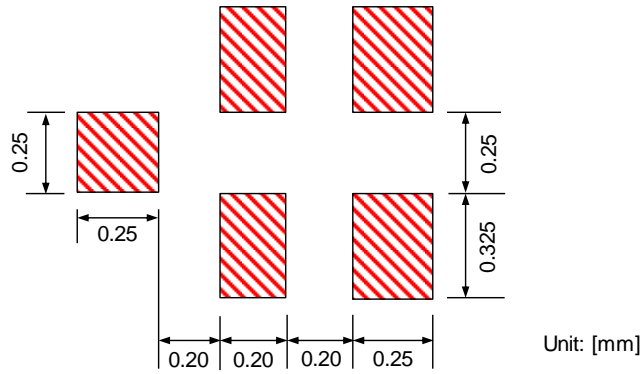
[Terminal Functions]

[Top View]



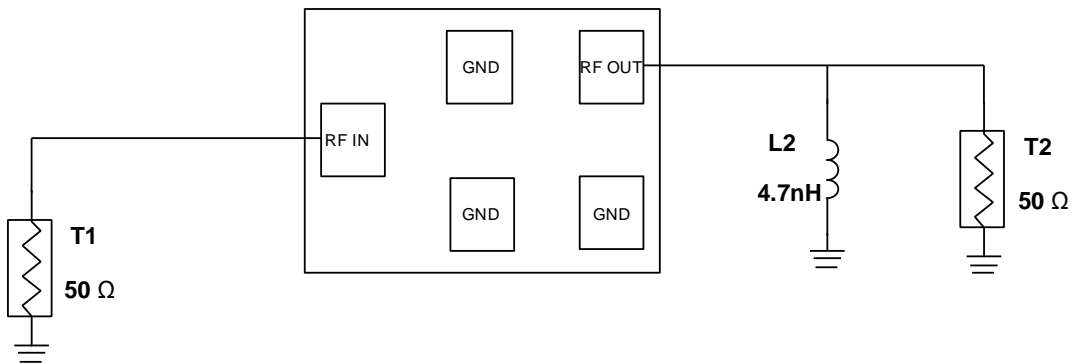
(1)	RF IN	(2)	GND	(3)	GND	(4)	RF OUT	(5)	GND
-----	-------	-----	-----	-----	-----	-----	--------	-----	-----

[Recommended Land Pattern]



[Measurement Circuit]

Top View

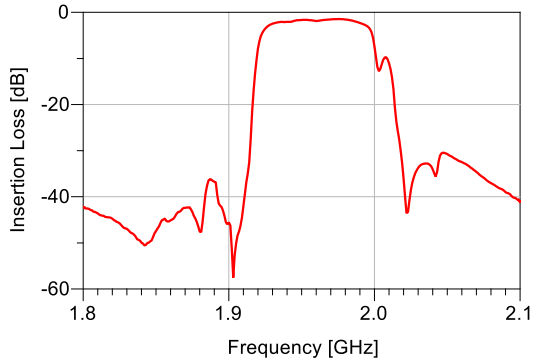


[Electrical Characteristics] (Measurement)

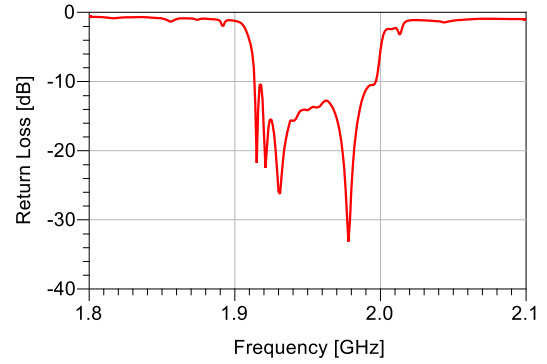
Parameter	Frequency (MHz)	Target Spec		
		Min.	Typ.	Max.
Insertion Loss (dB)	1930 to 1990	-	2.3	4
Return Loss (dB)	1930 to 1990	9	10	-
Ripple Deviation (dB)	1930 to 1990	-	0.8	1.5
Attenuation (dB)	DC to 960	38	41	-
	1558 to 1608	35	36	-
	1710 to 1850	35	37	-
	1850 to 1910	32	39	-
	2020 to 2070	7	27	-
	2070 to 2400	25	33	-
	2400 to 2500	33	39	-
	2500 to 3780	28	37	-
	3780 to 3980	30	40	-
	3980 to 5790	21	34	-
	5790 to 5970	21	34	-
	5970 to 7720	21	23	-
	7720 to 7960	17	23	-
7960 to 8000	17	23	-	
Max Input Power (dBm)	10			
Ambient Temperature (°C)	25			
Operating Temperature Range (°C)	-35	-	85	
Storage Temperature Range (°C)	-40	-	85	

[Frequency Characteristics]

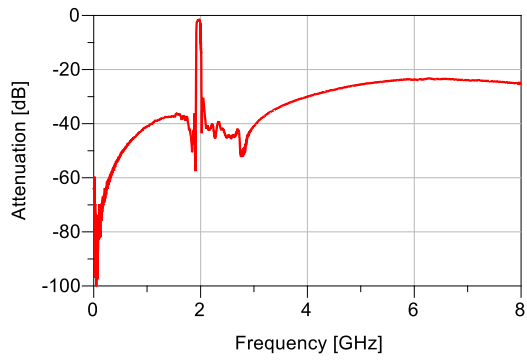
Insertion Loss



Input Return Loss



Attenuation



Output Return Loss

