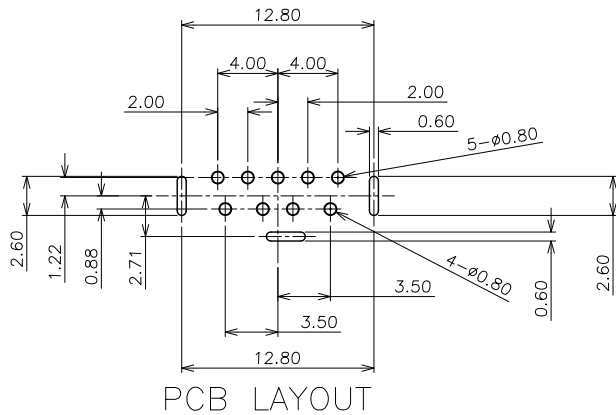
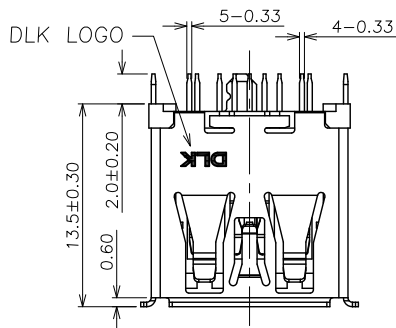


符合"DLK环境管理物质技术标准"

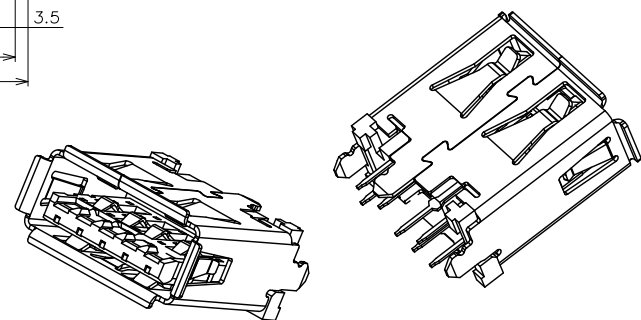
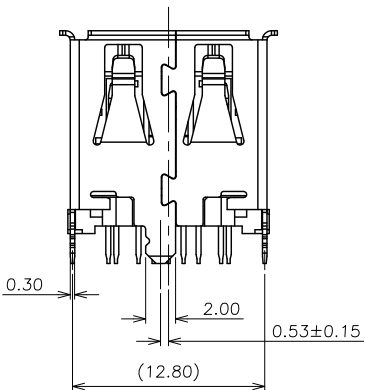
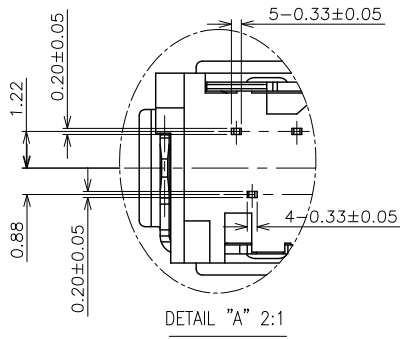
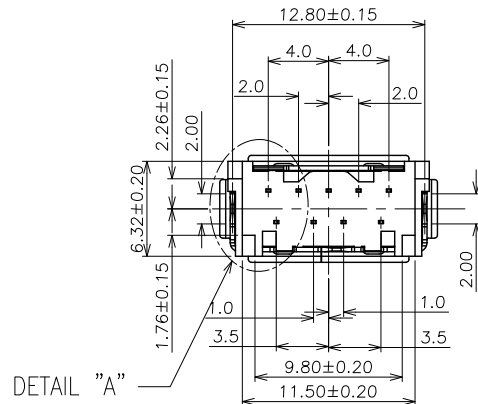
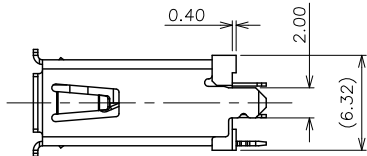
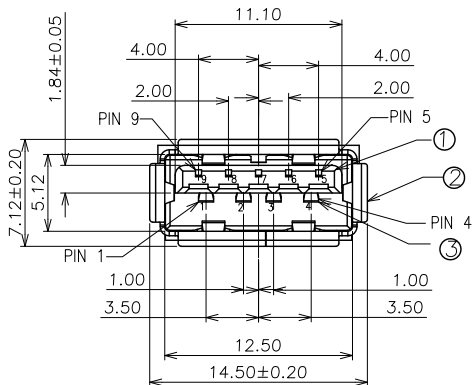
A 符合USB3.0协会规范标准"

工程变更通知单 ECN(DCN) NO.	版本 REV	日期 DATE	说明 DESCRIPTION	变更 CHANGE	核准 APPRO.
KSECN18003	A	20180205	NEW RELEASE	—	—



U3A27 C-09 L M5 Y N2 5

- ① PRODUCTION CODE (产品编码): U3A27: USB 3.0 AF 180°
- ② CHARACTER (特征): C:DIP TYPE
- ③ POSITION (位数): 09: 09PIN
- ④ COLOR OF HOUSING(本体颜色): L:BLUE
- ⑤ PLATING OF CONTACT(端子电镀): M5:接触区Au 0.05μm 焊接区Sn2.5μm min
- ⑥ PACKAGE(包装): Y :TRAY PACKAGE
- ⑦ PLATING OF SHELL(铁壳电镀): N2 :Ni plated



DLK 德力康电子科技有限公司
DLK DELIKANG ELECTRONICS TECHNOLOGY CO.,LTD

GENERAL TOLERANCE UNLESS OTHERWISE NOTED	
Angle	±5°
.X	±0.38
.X	±0.25
.XX	±0.20
.XXX	±0.10

C 名称	USB 3.0 AF 180° 13.5H DIP				
档案名称	C-U3A27-00-05	料号	U3A27C-09LM5YN25		
FILE NAME.		PART NO.		APPROVED	严成旺
DRAWING	王永辉	CHECKED			
UNIT:	mm	SCALE	1:1	SHEET: 1 of 1	

3	CONTACT	9	C5191	Au PLATED
2	SHELL	1	SUS430	Ni PLATED
1	HOUSING	1	PA9T	UL94V-0
NO.	ITEM	Q'TY	DESCRIPTION	FINISH