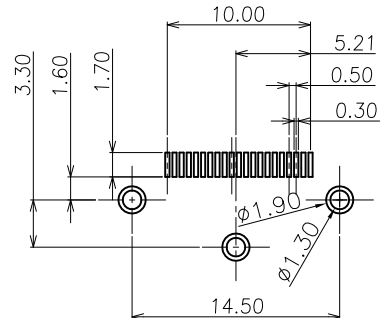
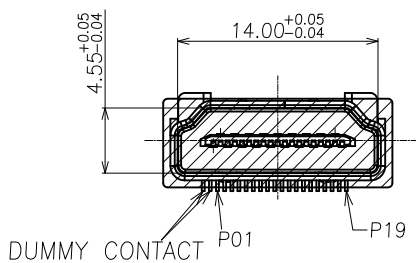


符合DLK环境管理物质技术标准 符合HDMI协会规范

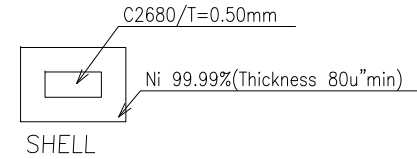
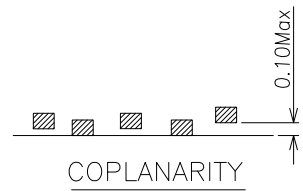
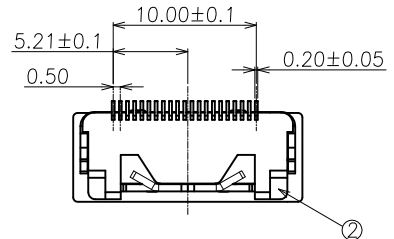
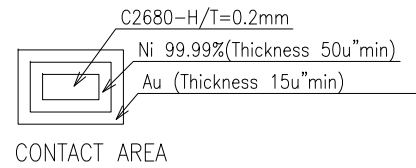
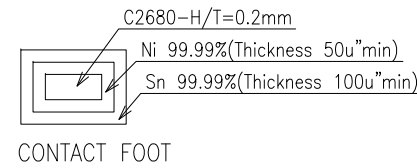
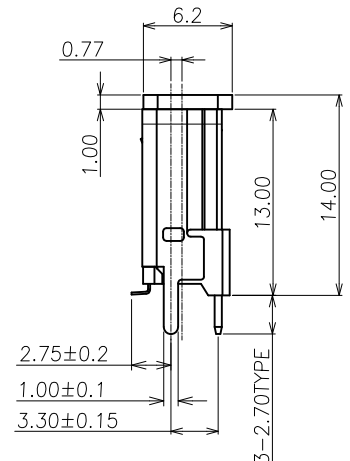
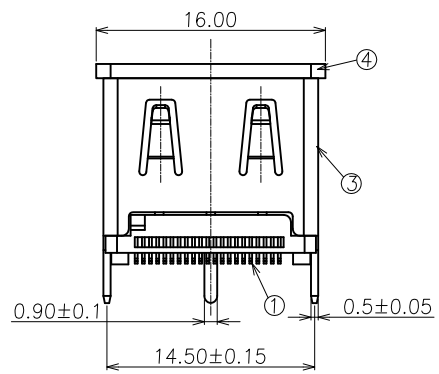
工程变更通知单 ECN(DCN) NO.	版本 REV	日期 DATE	说明 DESCRIPTION	改变 CHANGE	承认 APPRO.
KSECN18033	A	20180426	NEW	—	—
KSECN18042	B	20180615	增加19PIN规格 $\triangle B^*1$	汪庆	王永辉



PCB LAYOUT(TOP VIEW)
(T=1.60mm)

HDM4P B-** B M4 R N1 5
① ② ③ ④ ⑤ ⑥ ⑦

- ① PRODUCTION CODE (产品编码):
HDM4P: HDMI SERIES
- ② CHARACTER (特征):
B:STRAIGHT ANGLE TYPE
- ③ POSITION (位数):
 $\triangle B$ 19:19PIN
21:21PIN
- ④ COLOR OF HOUSING(本体颜色):
B:BLACK COLOR
- ⑤ PLATING OF CONTACT(端子电镀):
M4 :Au 15u" min AND MATTE TIN PLATED 100u"min
- ⑥ PACKAGE(包装):
R :TAPE&REEL PACKAGE
- ⑦ PLATING OF SHELL(铁壳电镀):
N1:NI PLATD



DLK 德力康电子科技有限公司
DELIKANG ELECTRONICS TECHNOLOGY CO.,LTD

NO.	ITEM	Q'TY	DESCRIPTION	FINISH
4	STOPPLE	1	LCP	UL94V-0, BLACK
3	SHELL	1	COPPER ALLOY	PLATED NI
2	HOUSING	1	LCP	UL94V-0, BLACK
1	LONG CONTACT	9	COPPER ALLOY	PLATED Au

GENERAL TOLERANCE UNLESS OTHERWISE NOTED	
Angle	±1°
X.	±0.38
.X	±0.30
.XX	±0.25
.XXX	±0.10

C 名称 TITLE:	HDMI A/F V/T 13H CONN			
	档案名称 FILE NAME:	C-HDM4P-00-05	料号 PART NO.:	HDM4PB-21BM4RN15
DRAWING	汪庆	CHECKED	王永辉	APPROVED 王成旺
UNIT:	mm	SCALE	1:1	SHEET: 1 of 1