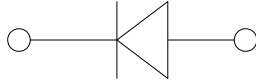
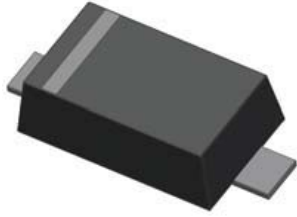


## Zener Diodes



### Features

- High reliability
- Very sharp reverse characteristic
- Low reverse current level

### Mechanical Data

- **Package:** SOD323
- **Terminals:** Tin plated leads, solderable per J-STD-002 and JESD22-B102
- **Polarity:** Cathode line denotes the cathode end

### ■ Maximum Ratings (T<sub>a</sub>=25°C Unless otherwise specified)

PARAMETER	SYMBOL	UNIT	VALUE
Power Dissipation at T <sub>a</sub> =75°C (Note1)	PD	mW	200
Storage Temperature Range	T <sub>stg</sub>	°C	-65~+150
Maximum Junction Temperature	T <sub>j</sub>	°C	-65~+150
Maximum Regulator Current	IZM	mA	PD/VZ

### ■ Ordering Information (Example)

PREFERRED P/N	PACKING CODE	UNIT WEIGHT(g)	MINIMUM PACKAGE(pcs)	INNER BOX QUANTITY(pcs)	OUTER CARTON QUANTITY(pcs)	DELIVERY MODE
MM3Z2V0CW THRU MM3Z75VCW	F1	Approximate 0.0033	3000	15000	180000	7" reel

### ■ Electrical Characteristics (T<sub>a</sub>=25°C Unless otherwise specified)

Item	Symbol	Unit	Conditions	Min	Max
Forward Voltage	V <sub>F</sub>	V	I <sub>F</sub> =10mA		1.0



## MM3Z2V0CW THRU MM3Z75VCW

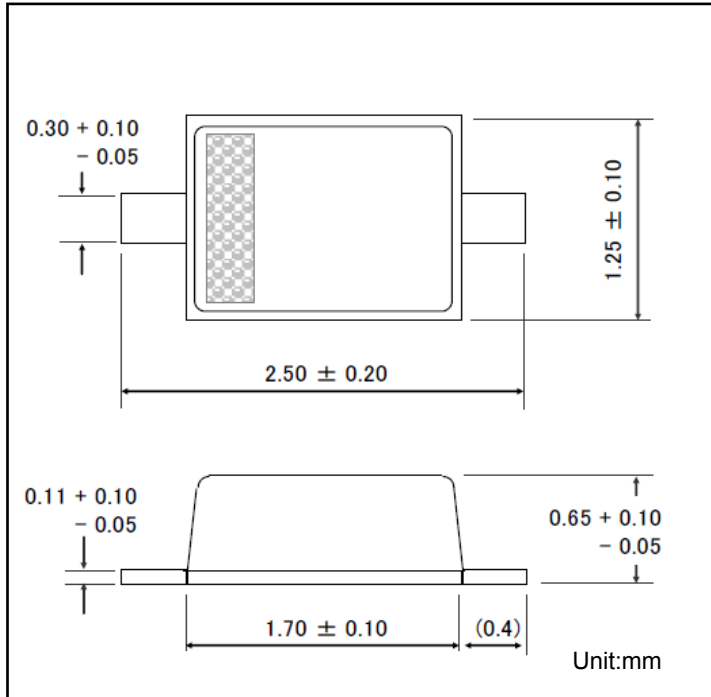
Electrical Characteristics ( $T_a=25^{\circ}\text{C}$  Unless otherwise specified)

Part Number	Marking	$V_Z$ at $I_{ZT}$			$Z_{ZT}$	$I_{ZT}$ mA	$Z_{ZK}$	$I_{ZK}$ mA	IR @ $V_R$ uA	$V_R$ V
		Min	Nom	Max	$\Omega$		$\Omega$			
MM3Z2V0CW	2V0	1.9	2.0	2.10	100	5	600	1	120	1
MM3Z2V2CW	2V2	2.09	2.2	2.31	100	5	600	1	120	1
MM3Z2V4CW	2V4	2.28	2.4	2.52	100	5	600	1	120	1
MM3Z2V7CW	2V7	2.57	2.7	2.84	100	5	600	1	100	1
MM3Z3V0CW	3V0	2.85	3	3.15	100	5	600	1	50	1
MM3Z3V3CW	3V3	3.14	3.3	3.47	95	5	600	1	20	1
MM3Z3V6CW	3V6	3.42	3.6	3.78	90	5	600	1	10	1
MM3Z3V9CW	3V9	3.71	3.9	4.1	90	5	600	1	5	1
MM3Z4V3CW	4V3	4.09	4.3	4.52	90	5	600	1	5	1
MM3Z4V7CW	4V7	4.47	4.7	4.94	80	5	500	1	2	1
MM3Z5V1CW	5V1	4.85	5.1	5.36	60	5	480	1	2	1.5
MM3Z5V6CW	5V6	5.32	5.6	5.88	40	5	400	1	1	2.0
MM3Z6V2CW	6V2	5.89	6.2	6.51	10	5	150	1	1	3.0
MM3Z6V8CW	6V8	6.46	6.8	7.14	15	5	80	1	0.5	4.0
MM3Z7V5CW	7V5	7.11	7.5	7.86	15	5	50	1	0.5	5.0
MM3Z8V2CW	8V2	7.79	8.2	8.61	15	5	50	1	0.5	6.0
MM3Z9V1CW	9V1	8.65	9.1	9.56	15	5	50	1	0.5	7.0
MM3Z10VCW	10	9.5	10	10.5	20	5	70	1	0.1	7.5
MM3Z11VCW	11	10.45	11	11.55	20	5	70	1	0.1	8.0
MM3Z12VCW	12	11.4	12	12.6	25	5	90	1	0.1	9.0
MM3Z13VCW	13	12.35	13	13.65	30	5	110	1	0.1	10
MM3Z15VCW	15	14.25	15	15.75	30	5	110	1	0.1	11
MM3Z16VCW	16	15.2	16	16.8	40	5	170	1	0.1	12
MM3Z18VCW	18	17.1	18	18.9	45	5	170	1	0.1	14
MM3Z20VCW	20	19	20	21	55	5	220	1	0.1	15
MM3Z22VCW	22	20.9	22	23.1	55	5	220	1	0.1	17
MM3Z24VCW	24	22.8	24	25.2	70	5	220	1	0.1	19
MM3Z27VCW	27	25.65	27	28.35	80	5	220	1	0.1	20
MM3Z30VCW	30	28.5	30	31.5	80	5	220	1	0.1	22
MM3Z33VCW	33	31.35	33	34.65	80	5	220	1	0.1	24
MM3Z36VCW	36	34.2	36	37.8	90	5	220	1	0.1	27
MM3Z39VCW	39	37.05	39	40.95	130	5	500	0.5	0.1	29
MM3Z43VCW	43	40.85	43	45.15	150	5	600	0.5	0.1	32
MM3Z47VCW	47	44.65	47	49.35	170	5	700	0.5	0.1	35
MM3Z51VCW	51	48.45	51	53.55	180	5	700	0.5	0.1	38
MM3Z56VCW	56	53.2	56	58.8	200	5	1000	0.5	0.1	42
MM3Z62VCW	62	58.9	62	65.1	215	5	1000	0.5	0.1	47
MM3Z68VCW	68	64.6	68	71.4	240	5	1000	0.5	0.1	51
MM3Z75VCW	75	71.25	75	78.75	255	5	1500	0.5	0.1	56

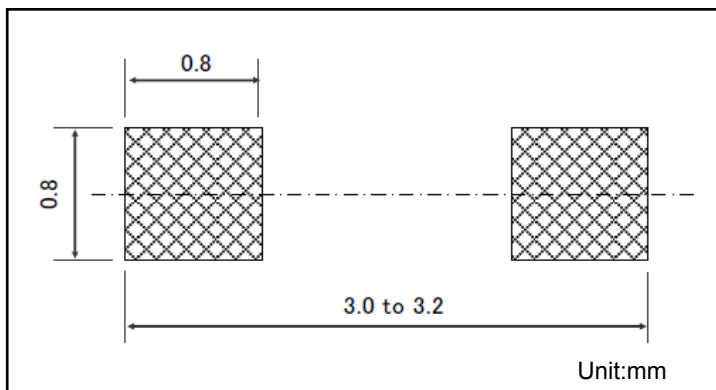


# MM3Z2V0CW THRU MM3Z75VCW

## ■ Outline Dimensions



## ■ Soldering Footprint





## MM3Z2V0CW THRU MM3Z75VCW

---

### Disclaimer

The information presented in this document is for reference only. Yangzhou Yangjie Electronic Technology Co., Ltd. reserves the right to make changes without notice for the specification of the products displayed herein to improve reliability, function or design or otherwise.

The product listed herein is designed to be used with ordinary electronic equipment or devices, and not designed to be used with equipment or devices which require high level of reliability and the malfunction of which would directly endanger human life (such as medical instruments, transportation equipment, aerospace machinery, nuclear-reactor controllers, fuel controllers and other safety devices), Yangjie or anyone on its behalf, assumes no responsibility or liability for any damages resulting from such improper use of sale.

This publication supersedes & replaces all information previously supplied. For additional information, please visit our website [http:// www.21yangjie.com](http://www.21yangjie.com) , or consult your nearest Yangjie's sales office for further assistance.