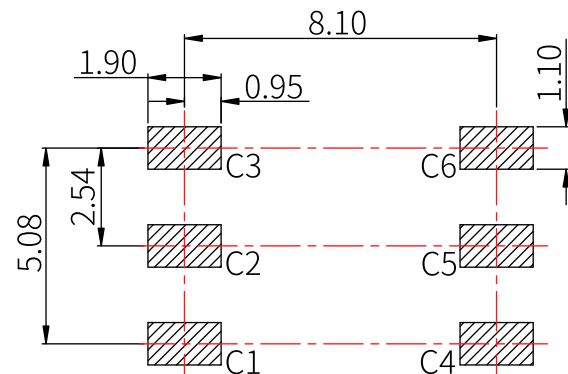


SIM CARD	
PIN#	Description
C1	VCC
C2	RST
C3	CLK
C4	RESERVED
C5	GND
C6	VPP



Recommended P.C.B Layout
(Tolerance=0.05)

NOTS:

1.Material:

Housing: HI-temp plastic UL 94V-0

Contact: Copper Alloy

2.Finish:

CONTACT: G/F" Gold plated on conatct area;

G/F plated on solder tails, Base Nickel: 50u" Min

3.Part number information

MANUFACTURE DWG		 东莞市讯普电子科技有限公司 DongGuan XunPu Electronics Co.,Ltd	
UNLESS OTHERWISE SPECIFIED TOLERANCES		TITLE: 1.2H SIM CARD	
DECIMALS:	ANGLES:	PAR	SIM-101-ARP6H12
X:±0.50	.X:±3°	DWN	KING 2016.07.08
.X:±0.30	.XX:±2°	CHKD	
.XX:±0.20		APVD	
CUSTOMER COPY		SCALE 1:1	UNIT: mm
		SIZE:A4	SHEET:1F1
			REV:A

