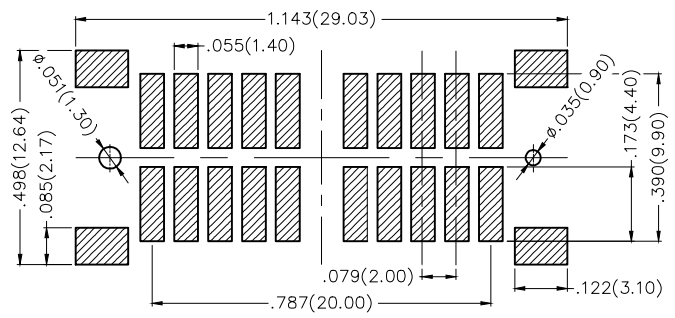
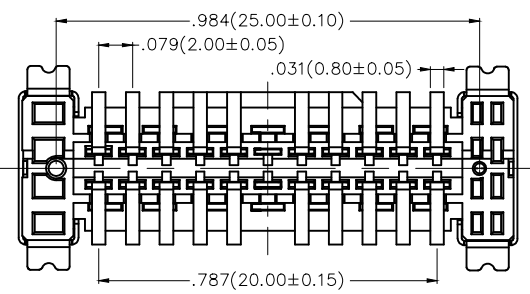
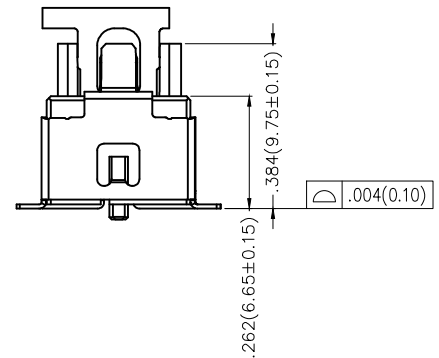
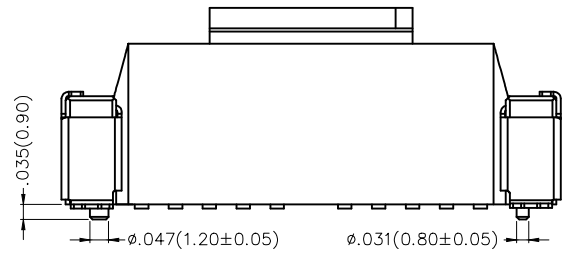
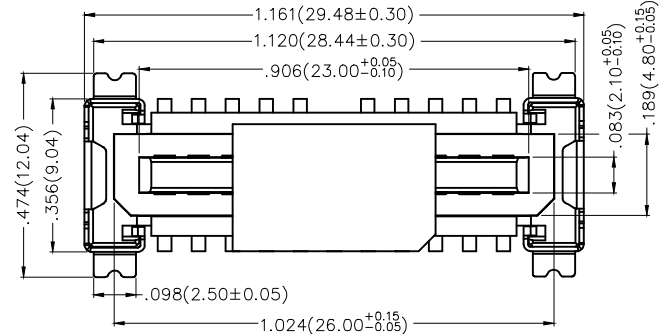


1 2 3 4 5 6 7 8

REV	LOCATIONS	DESCRIPTION	DATE	REVISER	APPD



Recommended P.C. Board Layout
General Tolerances: ±0.05mm


SPECIFICATIONS

Electrical
 Current Rating: 1.0A AC(rms)/DC
 Voltage Rating: 100V AC(rms)/DC
 Contact Resistance: 100 mΩ Max.
 Insulation Resistance: 50 MΩ Min.
 Withstanding Voltage: 250V AC r.m.s
 Temperature Range—Operating: -40°C~+85°C
 Material and Plating
 Housing: LCP (UL 94V-0)
 Contacts: Phosphor Bronze/ Selective gold in contact area, matte tin on tail

Ordering Information

FBB 200 02 — M 20 S 3 XX 3 W5 M
 1 2 3 4 5 6 7 8 9 10 11

1 Category FBB—Board to Board	2 Series Number 200—Pitch 2.00mm	3 Distinction No. 02	4 Type M—Male	5 Circuits 20	6 Entry Angle S—180° Vertical
7 Plating 3—Selective gold in contact area, tin on tail	8 Thickness of Plating 01—1μ" 05—5μ" Custom plate available	9 Material—Resin 3—LCP	10 Color—Resin W5—Natural	11 Packaging M—Reel	

THIRD ANGLE PROJECTION	GENERAL TOLERANCES (UNLESS SPECIFIED)		APPROVE BY FRANK	DATE 21/DEC/18	PART NO. FBB20002—M20S3XX3W5M	ITEM NO. FBB20002	 Leader Of Industry
	DESIGN UNITS Inch (metric)	X.±.012(0.30) X.X±.008(0.20) X.XX±.006(0.15) X.XXX±.004(0.10)	X.±5° .X±2° .XX±1° .XXX±0.5°	CHECKED BY CHERRY	DATE 21/DEC/18	TITLE Board to Board Pitch 2mm 180° Vertical (SMT)	
SCALE 5:1	SIZE A4		DRAWN BY KATE	DATE 21/DEC/18	THIS DRAWING CONTAINS INFORMATION THAT IS PROPRIETARY TO TXGA INDUSTRIAL ELECTRONICS(S.Z)CO.,LTD AND SHOULD NOT BE USED WITHOUT WRITTEN PERMISSION		REV 0 SHEET NO. 1/1

1 2 3 4 5 6 7 8