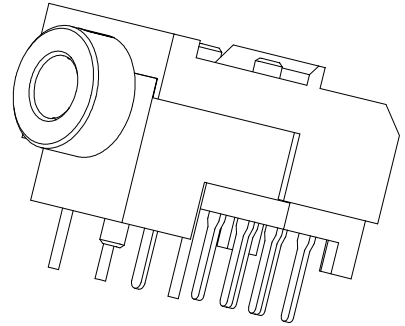
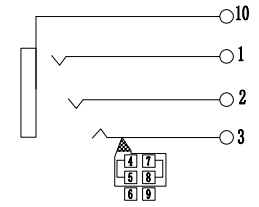
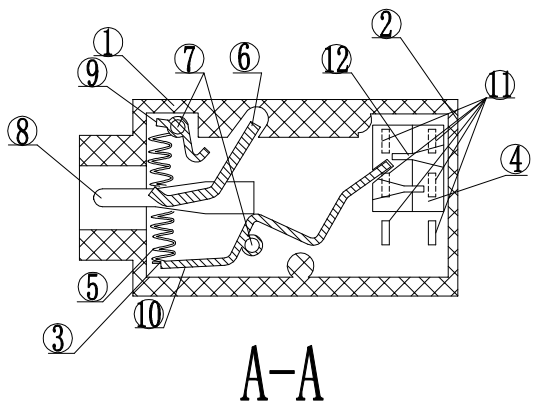


SCHMATIC



remark: The product is ROHS.



⑫	—	CONNECT TERMINAL	QSn6.5-0.1Y	2	Ag
⑪	—	TERMINAL4	H62Y, t=0.4	6	Ag
⑩	—	TERMINAL3	QSn6.5-0.1Y t=0.4	1	Ag
⑨	—	TERMINAL2	QSn6.5-0.1Y t=0.4	1	Ag
⑧	—	TERMINAL1	QSn6.5-0.1Y t=0.3	1	Ag
⑦	—	PIN 2	QSn6.5-0.1Y $\phi=0.6$	2	Ag
⑥	—	PIN 1	QSn6.5-0.1Y $\phi=0.6$	1	Ag
⑤	—	SPRING	65Mn	1	
④	—	SLIDE-BLOCK	POM	2	BLACK
③	—	COVER	POM	1	BLACK
②	—	BODY	PA	1	BLACK
①	—	SLEEVE	PA	1	BLACK
NO. TER' NO.		PART NO.	MATERIAL	QTY.	REMARK

金佳 深圳金佳润电子科技有限公司

ECN NO.	REV	DATE	DESCRIPTION	CHANGE.	CHECK.	APPRO.	UNSPECIFIED TOLERANCE	SCALE	3:1	UNIT	mm	PAGE	1 OF 1	A4		
	A/O		NEW				ANGLE $\pm 5^\circ$ 30 ~ ± 0.45 10 ~ 30 ± 0.35 ~ 10 ± 0.25	EARPHONE JACK	DSND 郑玖贤 CHKD 曹锐 APVD 易光明	DATE 2011-12-15	DATE 2011-12-15	DATE 2011-12-15	TITLE: CK3.5-71-2	PART NO. :		
DWN.NO: JJ-CPT-0821																