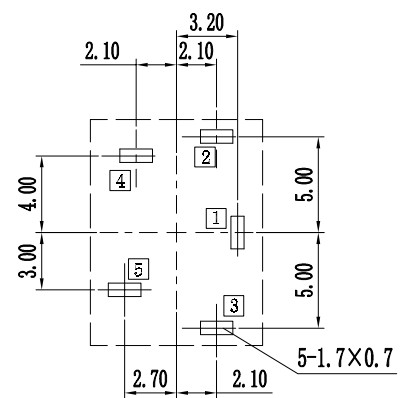
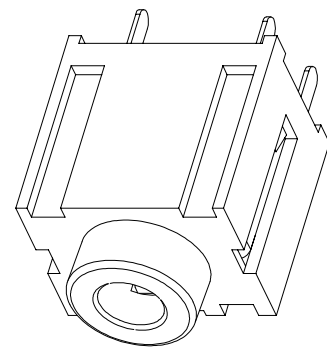
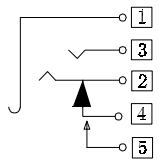
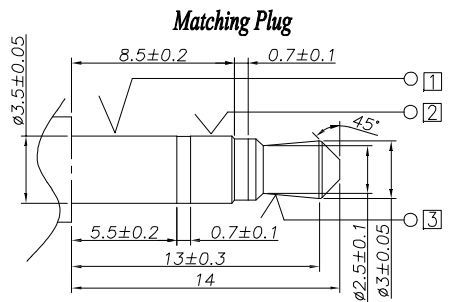
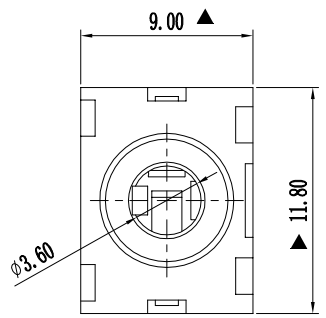


□ Terminal NO. ○ Item NO.

Circuit Diagram



P.C.B Layout (t=1.60mm)
(top view)



8	CK3.5-91A-7	White: Pantone Cool Grey 1
7	CK3.5-91A-6	Orange: Pantone 158 C
6	CK3.5-91A-5	Green: Pantone 349 C
5	CK3.5-91A-4	Light Blue: Pantone 5435 C
4	CK3.5-91A-3	Indigo: Pantone 7545 C
3	CK3.5-91A-2	Grey: Pantone Cool Grey 9 C
2	CK3.5-91A-1	Off black: Pantone 433 C
1	CK3.5-91A	black
NO	P/N	COLOUR

⑥	Contact Foot	①	Phosphor Bronze	1	Ag-plating	
⑤	Contact Foot	④	Phosphor Bronze	1	Sn-plating	
④	Contact Foot	②	Phosphor Bronze	1	Ag-plating	
③	Contact Foot	⑤	Phosphor Bronze	1	Sn-plating	
②	Contact Foot	③	Phosphor Bronze	1	Ag-plating	
①	Housing		PBT4815	1	----	
NO	DESCRIPTION		MATERIAL	QTY	FINISH/COLOUR	REMARKS

深圳金佳润电子科技有限公司
Shenzhen JinJiaRun Electronics Technology Co., Ltd

Specification:
Sign"▲"is importance dimension;

						ANGLE	±5°	EARPHONE JACK
						>30~	±0.45	
						>10~30	±0.35	
						~10	±0.25	
ECN NO.	REV	DATE	DESCRIPTION	CHANGE.	CHECK.	APPRO.	UNSPECIFIED TOLERANCE	

DSND	qiancheng Zhu	DATE	2015.03.20	MODEL NO.	CK3.5 JACK		
CHKD	yujing Zhu	DATE	2015.03.20	PART NO.	CK3.5-91A		
APVD	kui Guan	DATE	2015.03.20	PAGE	1 OF 1	A4	
SCALE	1:1	UNIT	mm				