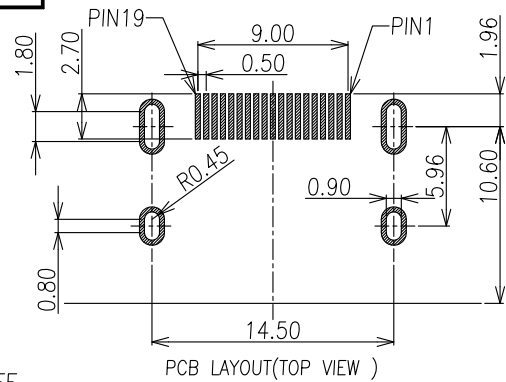
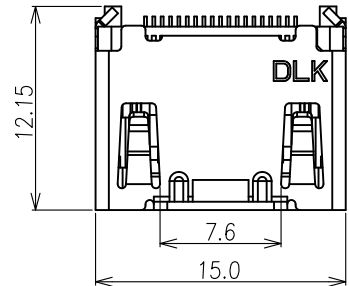


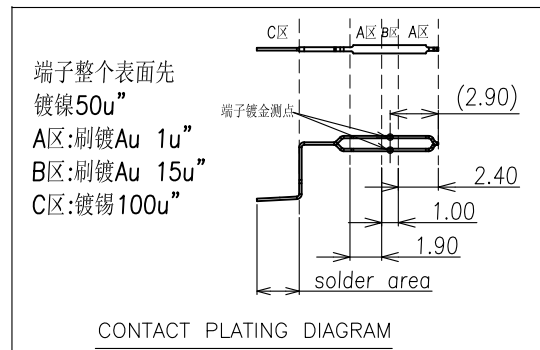
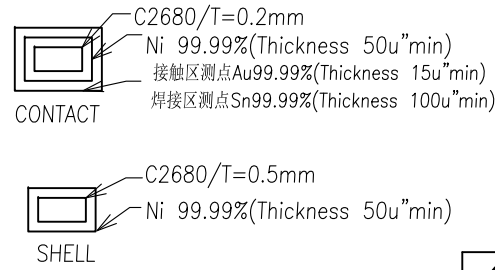
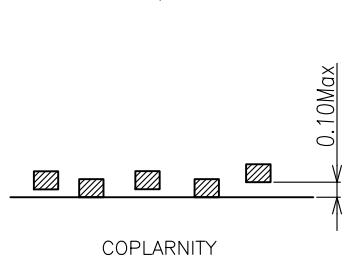
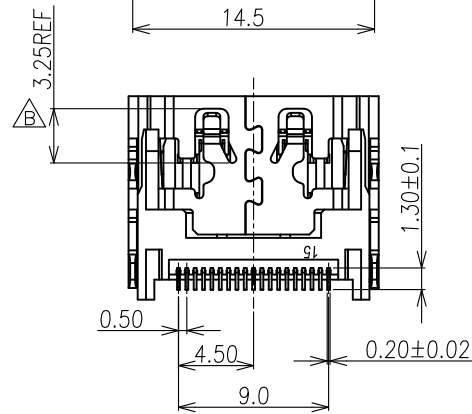
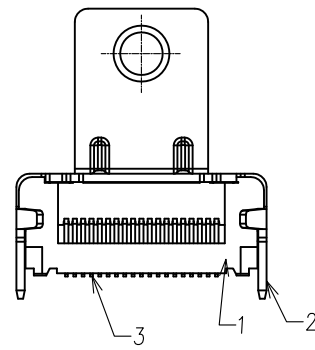
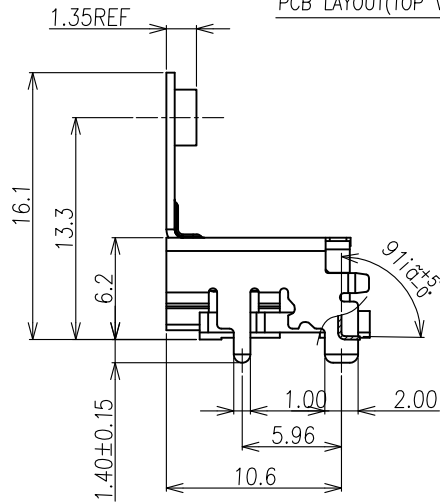
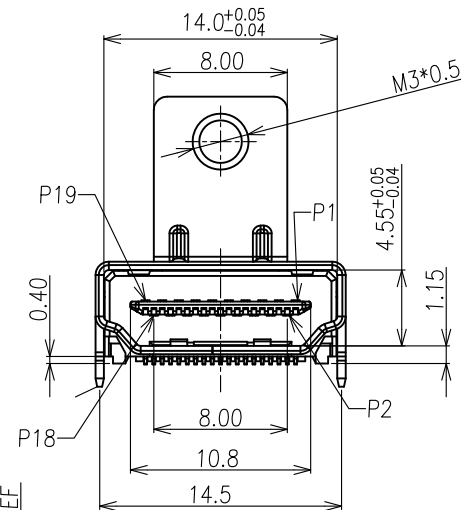
符合"DLK环境管理物质技术标准",符合HDMI协会规范要求

| 工程变更通知单<br>ECN(DCN) NO. | 版本<br>REV | 日期<br>DATE | 说明<br>DESCRIPTION          | 改变<br>CHANGE | 承认<br>APPRO. |
|-------------------------|-----------|------------|----------------------------|--------------|--------------|
| —                       | A         | 20160126   | NEW                        | —            | —            |
| KSECN16085              | B         | 20161231   | 为增强插拔力将弹片力臂由5.38mm改为3.25mm | 陈浩泽          | 王永辉          |



HDM2T A-19 B M4 Y N1 7  
① ② ③ ④ ⑤ ⑥ ⑦

- ① PRODUCTION CODE (产品编码):  
HDM2T: HDMI SERIES
- ② CHARACTER (特征):  
A:180° SMT TYPE
- ③ POSITION (位数):  
19:19PIN
- ④ COLOR OF HOUSING(本体颜色):  
B:BLACK COLOR
- ⑤ PLATING OF CONTACT(端子电镀):  
M4 :Au 15U" AND MATTE TIN 100U" PLATED
- ⑥ PACKAGE(包装):  
Y :TRAY PACKAGE
- ⑦ PLATING OF SHELL(铁壳电镀):  
N1:NI PLATD



德力康电子科技有限公司  
DLK DELIKANG ELECTRONICS TECHNOLOGY CO.,LTD

|  |       |
|--|-------|
| GENERAL TOLERANCE UNLESS OTHERWISE NOTED |       |
| Angle                                    | ±1°   |
| X.                                       | ±0.30 |
| .X                                       | ±0.30 |
| .XX                                      | ±0.20 |
| .XXX                                     | ±0.10 |

|                    |                               |                 |                  |               |
|--------------------|-------------------------------|-----------------|------------------|---------------|
| C 名称<br>TITLE:     | HDMI A/F R/A 6.2H(13.3) CONN. |                 |                  |               |
| 档案名称<br>FILE NAME. | C-HDM2T-00-07                 | 料号<br>PART NO.: | HDM2TA-19BM4YN17 |               |
| DRAWING            | 陆桂棚                           | CHECKED         | APPROVED         | 严成旺           |
| UNIT:              | mm                            | SCALE           | 1:1              | SHEET: 1 of 1 |

| NO. | ITEM    | Q'TY | DESCRIPTION  | FINISH        |
|-----|---------|------|--------------|---------------|
| 3   | CONTACT | 19   | COPPER ALLOY | PLATED Au     |
| 2   | SHELL   | 1    | COPPER ALLOY | PLATED NI     |
| 1   | HOUSING | 1    | LCP          | UL94V-0,Black |