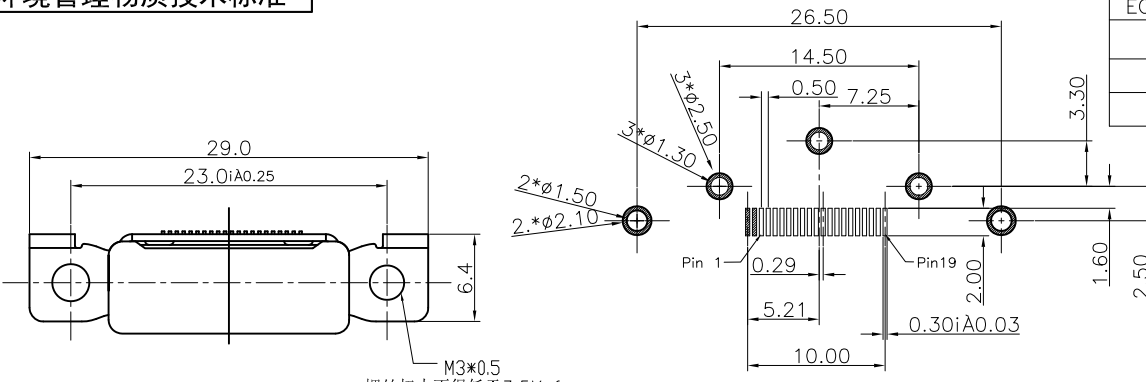


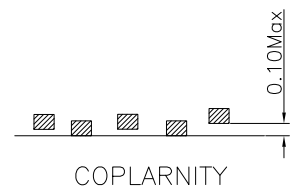
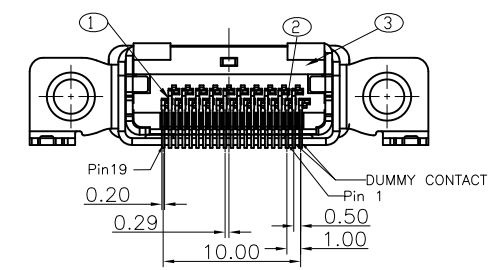
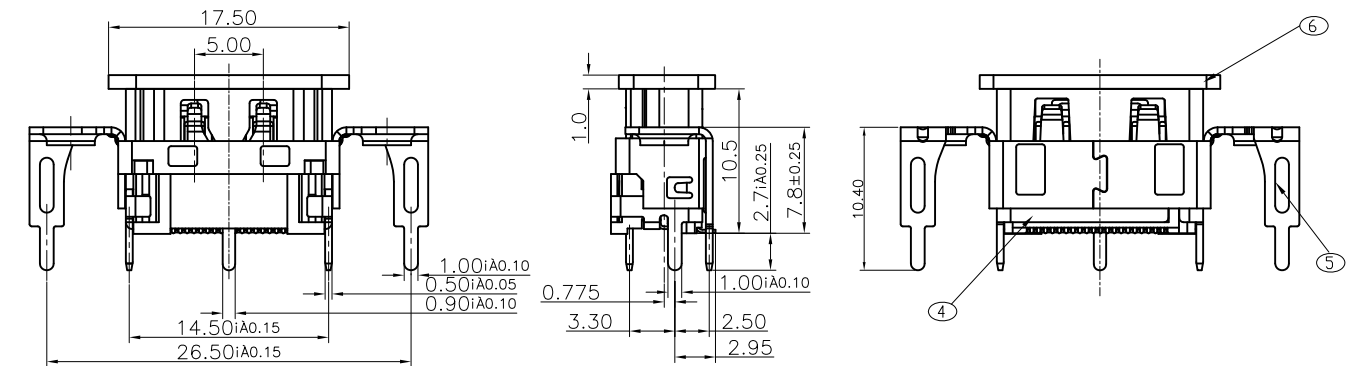
符合"DLK环境管理物质技术标准"

工程变更通知单 ECN(DCN) NO.	版本 REV	日期 DATE	说明 DESCRIPTION	改变 CHANGE	承认 APPRO.
—	A	10/08 10'	NEW	—	—



M3\*0.5  
螺丝扭力不得低于3.5Kgf

RECOMMENDED PCB LAYOUT(TOP VIEW)



HDM2C B-\*\* B \*\* \* N1 3  
① ② ③ ④ ⑤ ⑥ ⑦ ⑧

- ① PRODUCTION CODE (产品编码):  
HDM2C: HDMI SERIES
- ② CHARACTER (特征):  
B:STRAIGHT ANGLE TYPE
- ③ POSITION (位数):  
19:19PIN  
21:21PIN
- ④ COLOR OF HOUSING(本体颜色):  
B:BLACK COLOR
- ⑤ PLATING OF CONTACT(端子电镀):  
M1 :G.F AND TIN PLATED 100u"min  
M2 :Au 5u" min AND TIN PLATED 100u"min  
M3 :Au 10u" min AND TIN PLATED 100u"min  
M4 :Au 15u" min AND TIN PLATED 100u"min  
M5 :Au 30u" min AND TIN PLATED 100u"min  
G1: 接触区10u", 浸镀全金3u"
- ⑥ PACKAGE(包装):  
R :TAPE&REEL PACKAGE  
Y :TRAY PACKAGE
- ⑦ PLATING OF SHELL(铁壳电镀):  
N1:NI PLATD
- ⑧ 特征码:  
3:脚长2.7mm,HDM2N后塞

6	STOPPLE	1	THERMOPLASTIC	UL94V-0, BLACK
5	ROUND SHELL	1	SPCC	PLATED NI
4	SHELL	1	COPPER ALLOY	PLATED NI
3	HOUSING	1	THERMOPLASTIC	UL94V-0, BLACK
2	SHORT CONTACT	11	COPPER ALLOY	PLATED Au
1	LONG CONTACT	10	COPPER ALLOY	PLATED Au
NO.	ITEM	Q'TY	DESCRIPTION	FINISH

GENERAL TOLERANCE UNLESS OTHERWISE NOTED	
Angle	±1'
X.	±0.30
.X	±0.25
.XX	±0.15
.XXX	±0.10

**DLK** 德力康电子科技有限公司  
DELIKANG ELECTRONICS TECHNOLOGY CO.,LTD

C 名称 TITLE:	HDMI 21PIN REC. CONN.	料号 PART NO.:	HDM2CB-21BM4YN13
档案名称 FILE NAME.	C-HDM2C-00-03	PART NO. (OLD)	—
DRAWING	Lijian	CHECKED	—
UNIT:	mm	SCALE	1:1
		APPROVED	CW.Y
		SHEET:	1 of 1