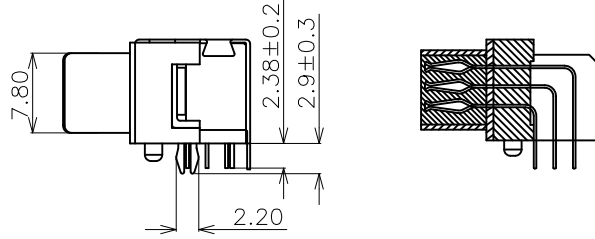
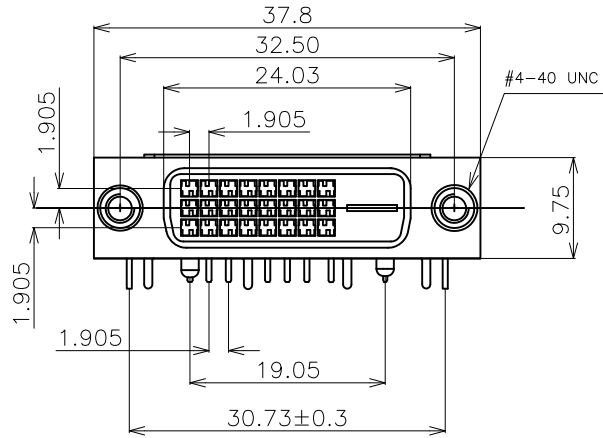


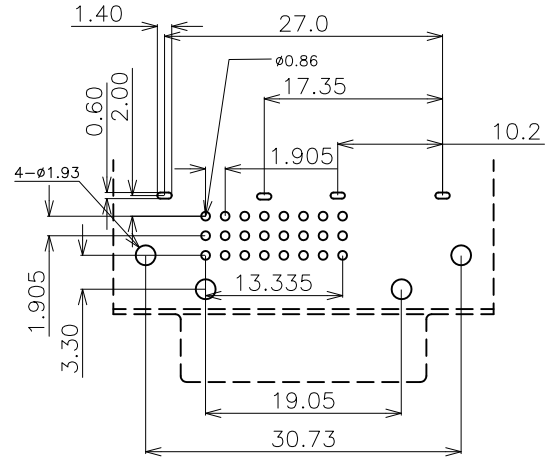
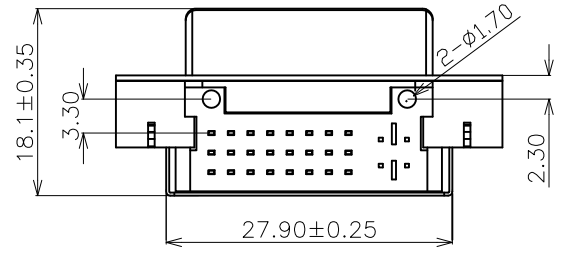
符合"DLK环境管理物质技术标准"

工程变更通知单 ECN(DCN) NO.	版本 REV	日期 DATE	说明 DESCRIPTION	变更 CHANGE	核准 APPRO.
KSECN17049	A	20170816	NEW RELEASE	—	—



DVI28 D-24 H S1 Y N4 G
① ② ③ ④ ⑤ ⑥ ⑦ ⑧

- ① PRODUCTION CODE (产品编码):
DVI28: DVI CONN.
- ② CHARACTER (特征):
D:DIP TYPE
- ③ POSITION (位数):
24: 24PIN
- ④ COLOR OF HOUSING(本体颜色):
H:GRAY COLOR
- ⑤ PLATING OF CONTACT(端子电镀):
S1 :Au 1u" PLATD AND Tin PLATD(半金亮锡)
- ⑥ PACKAGE(包装):
Y :TRAY PACKAGE
- ⑦ PLATING OF SHELL(铁壳电镀):
N4:NI PLATD(有卤)
- ⑧ TYPE:
G :带屏蔽2.0, 无螺丝



P.C.B LAYOUT

7	SHIELDING CASE	1	SPCC	Ni PLATED
6	BOARD LUCK	2	SPCC	Sn PLATED
5	COVER	1	PBT/PA66	GRAY
4	RIVET	2	COPPER ALLOY	Ni PLATED
3	PORTREPLICATOR	24	BRASS	GOLD FLASH
2	SHELL	1	SPCC	Ni PLATED
1	HOUSING	1	PBT/PA66	GRAY
NO.	ITEM	Q'TY	DESCRIPTION	FINISH

GENERAL TOLERANCE
UNLESS OTHERWISE NOTED

Angle	±5'
X.	±0.50
.X	±0.38
.XX	±0.25
.XXX	±0.20

德力康电子科技有限公司

DLK DELIKANG ELECTRONICS TECHNOLOGY CO.,LTD

C 名称 TITLE:	DVI28 24+1带屏蔽			
	档案名称 FILE NAME:	C-DVI28-00-0G	料号 PART NO.:	DVI28D-24HS1YN4G
DRAWING	汪庆	CHECKED	王永辉	APPROVED 严成旺
UNIT:	mm	SCALE	1:1	SHEET: 1 of 1