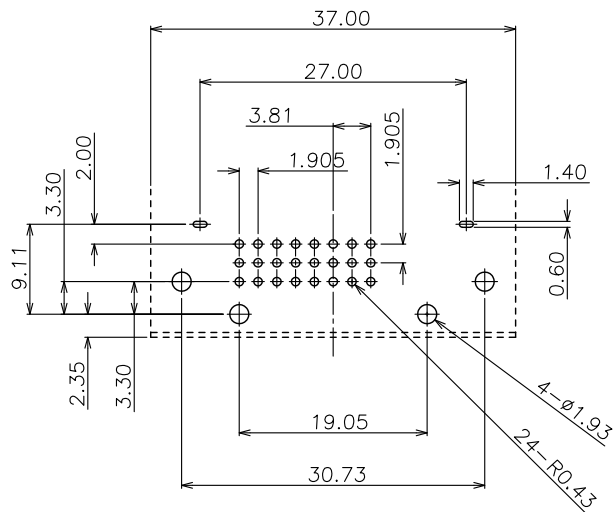
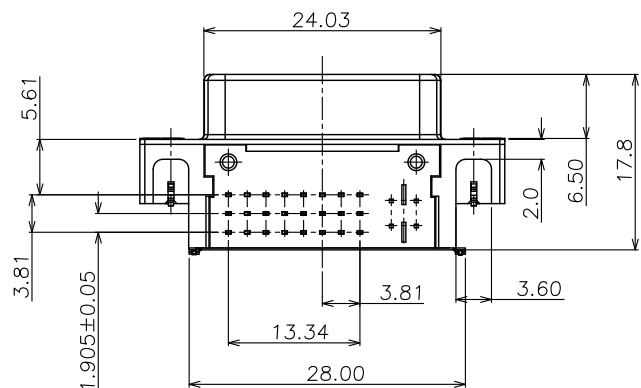
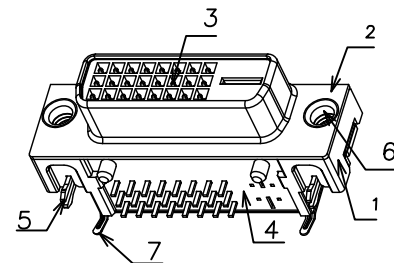
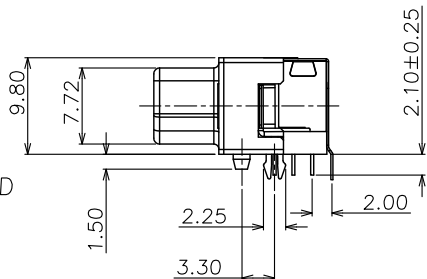
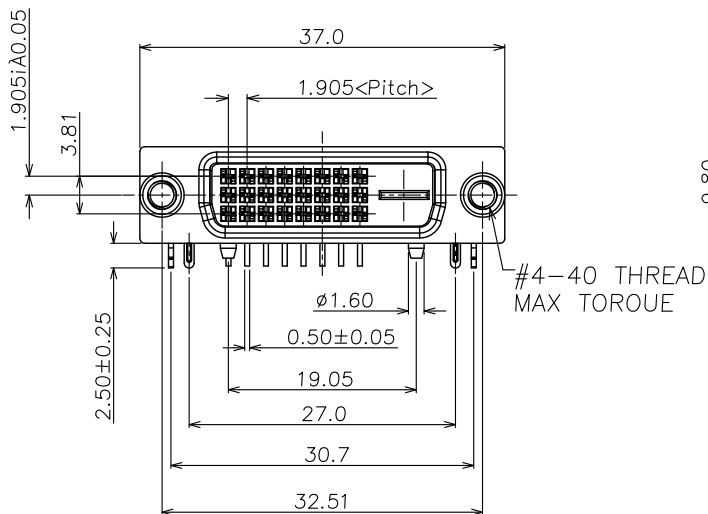


符合"DLK环境管理物质技术标准"

工程变更通知单 ECN(DCN) NO.	版本 REV	日期 DATE	说明 DESCRIPTION	改变 CHANGE	承认 APPRO.
KSECN15006	A	20150309	NEW RELEASE	—	—



DVI2D D-24 W M1 Y N4 A
① ② ③ ④ ⑤ ⑥ ⑦ ⑧

- ① PRODUCTION CODE (产品编码):
DVI2D: DVI SERIES
- ② CHARACTER (特征):
D: DIP TYPE
- ③ POSITION (位数):
24: 24PIN
- ④ COLOR OF HOUSING(本体颜色):
W: WHITE
- ⑤ PLATING OF CONTACT(端子电镀):
M1 :Au AND MATE TIN PLATD
- ⑥ PACKAGE(包装):
Y :TRAY PACKAGE
- ⑦ PLATING OF SHELL(铁壳电镀):
N4:NI PLATD
- ⑧ TYPE(规格):
A: 带屏蔽无螺丝

7	SHIELDING CASE	1	SPCC	Ni PLATED
6	NUT	2	C3602	Ni PLATED
5	BOARD LUCK	2	C2680(H65)	Tin PLATED
4	COVER	1	PA66	UL94V-0 Black
3	CONTACT	24	C2680(H65)	Au PLATED
2	SHELL	1	SPCC	Ni PLATED
1	HOUSING	1	PBT	UL94V-0
NO.	ITEM	QTY	DESCRIPTION	FINISH

GENERAL TOLERANCE UNLESS OTHERWISE NOTED	
Angle	±5°
X.	±0.50
.X	±0.35
.XX	±0.25
.XXX	±0.15

DLK 德力康电子科技有限公司
DELIKANG ELECTRONICS TECHNOLOGY CO.,LTD

C 名称 TITLE:	DVI-D R/A CONN	料号 PART NO.:	DVI2DD-24WM1YN4A
档案名称 FILE NAME:	C-DVI2D-00-0A	PART NO. (OLD)	—
DRAWING	王永辉	CHECKED	—
UNIT:	mm	SCALE	1:1
		SHEET:	1 of 1

APPROVED 严成旺