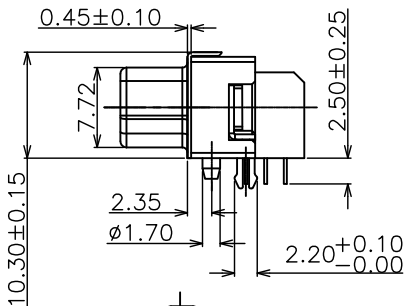
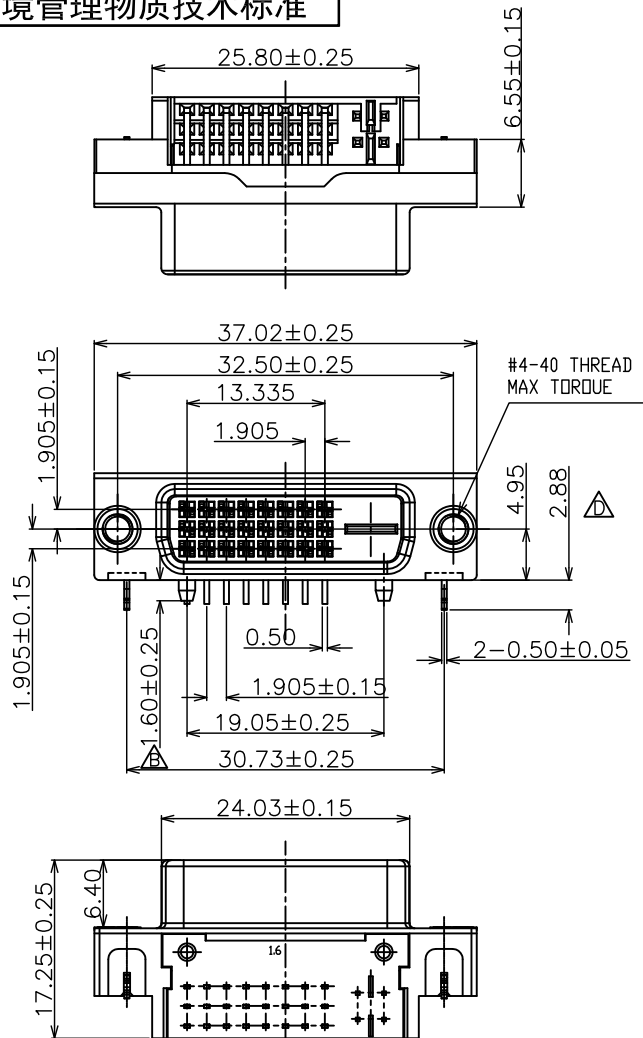


符合"DLK环境管理物质技术标准"



螺丝规格
螺扭力为: 6.0±1.0KGF

工程变更通知单 ECN(DCN) NO.	版本 REV	日期 DATE	说明 DESCRIPTION	改变 CHANGE	承认 APPRO.
—	A	11/09/08'	NEW RELEASE	—	—
ECN09129	B	01/04/10'	1 去除外壳两个方孔 2 盖子上柱子由原2.0缩短至1.60	△ x 2	曾小春 严成旺
ECN11087	C	05/27/11'	修正图框		戴建平 严成旺
ECN11132	D	09/29/11'	修改公差 △ x 1		王永辉 严利

DVI28 D-24 H S1 Y N4 *

① ② ③ ④ ⑤ ⑥ ⑦ ⑧

① PRODUCTION CODE (产品编码):

DVI28: DVI SERIES

② CHARACTER (特征):

D:DIP TYPE

③ POSITION (位数):

24:24PIN

④ COLOR OF HOUSING(本体颜色):

H:GRAY

⑤ PLATING OF CONTACT(端子电镀):

S1 :Au AND TIN PLATD

⑥ PACKAGE (包装):

Y :TRAY PACKAGE

⑦ PLATING OF SHELL (铁壳电镀):

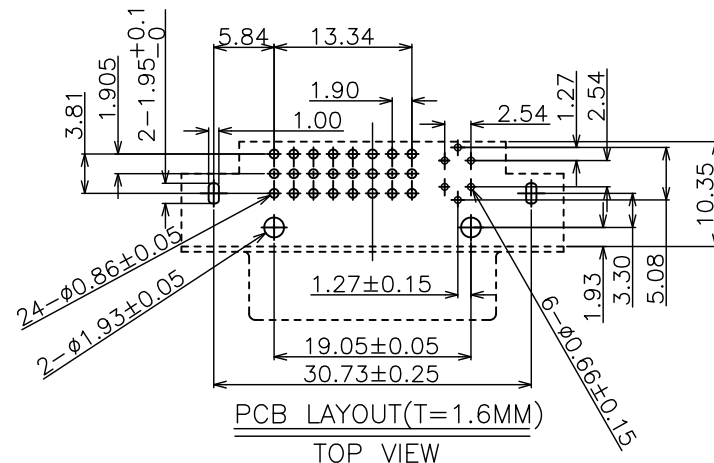
N4:NI PLATD

⑧ TYPE:

0:无螺丝

2:铁螺丝

3:附螺丝



PCB LAYOUT(T=1.6MM)

TOP VIEW

H	9	SCREW	2	STEEL	Ni PLATED
	8	NUT	2	BRASS	Ni PLATED
	7	BOARD LUCK	2	BRASS	Tin PLATED
	6	COVER	1	PA66	UL94V-0,WHITE
I	5	SHORT CONTACT	8	PHOSPHOR BRONZE/BRASS	Au PLATED
	4	MIDDLE CONTACT	8	PHOSPHOR BRONZE/BRASS	Au PLATED
	3	LONG CONTACT	8	PHOSPHOR BRONZE/BRASS	Au PLATED
	2	SHELL	1	SPCC	Ni PLATED
J	1	HOUSING	1	PA66	UL94V-0,GRAY
	NO.	ITEM	Q'TY	DESCRIPTION	FINISH

GENERAL TOLERANCE
UNLESS OTHERWISE NOTED

Angle	±5°
X.	±0.30
.X	±0.25
.XX	±0.15
.XXX	±0.10



德力康电子科技有限公司

DLK

DELIKANG ELECTRONICS TECHNOLOGY CO.,LTD

C	名称 TITLE:	DVI RECEPTACLE CONN.	料号 PART NO.:	DVI28D-24HS1YN40
	档案名称 FILE NAME.	C-DVI28-00-00	PART NO. (OLD)	
DRAWING	曾小春	CHECKED	APPROVED	严成旺
UNIT:	mm	SCALE	1:1	SHEET: 1 of 1