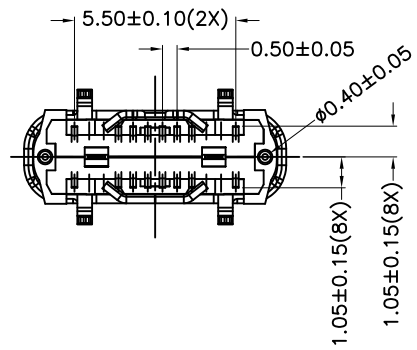
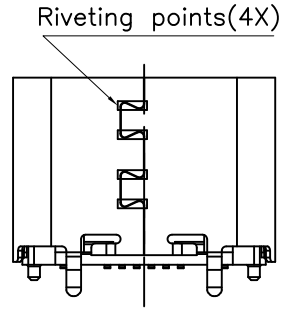
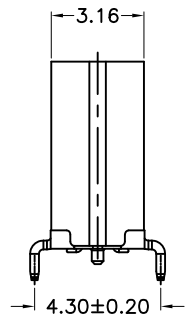
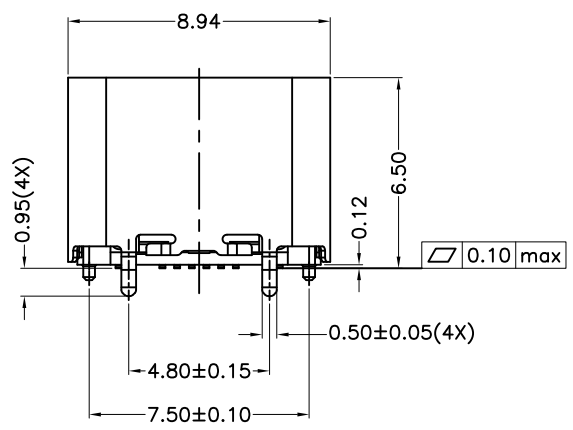


- NOTE:
- MATERIAL SPECIFICATION:
 - 1-1.HOUSING:HIGH TEMPERATURE RESISTANT PLASTIC(LCP), UL94 V-0. COLOR:BLACK.
 - 1-2.CONTACTS:COPPER ALLOY(C18150)T=0.12mm
 - 1-3.MID PLATE: STAINLESS STEEL(SUS301)T=0.15mm
 - 1-4.SHELL: STAINLESS STEEL(SUS304)T=0.30mm
 - PLATING SPECIFICATION:
 - 2-1.CONTACTS:
 - Ni 50u" MIN. UNDER PLATED OVER ALL.
 - Au PLATED ON THE MATING AREA OF CONTACT.
 - (GOLD PLATING THICKNESS FOLLOW THE P/N)
 - 2-2.SHELL:
 - Ni 30u" MIN. UNDER PLATED OVER ALL.
 - 2-3.MID PLATE:
 - CLEAR ONLY
 - MECHANICAL PERFORMANCE,
 - 3-1.INSERTION FORCE: 0.5~2.0kgf.
 - 3-2.EXTRACTION FORCE: 0.8kgf~2.0kgf. 0.6kgf~2.0kgf. AFTER DURABILITY TEST.
 - 3-3.DURABILITY: 10000 CYCLES.
 - ELECTRICAL PERFORMANCE,
 - 4-1. CURRENT RATING:5.0A VOLTAGE RATING:5.0V
 - 4-2. LLCR:
 - VBUS & GND PINS AND OTHER PINS: 40mΩ/PIN MAX.
 - SHIELD: 50mΩ/MAX.
 - LLCR MAX. CHANGE OF ALL PINS: 10mΩ.
 - 4-3.INSULATION RESISTANCE: 100MΩ MIN
 - 4-4.DIELECTRIC WITHSTAND VOLTAGE,AC 100V FOR 1 MINUTE.
 - ENVIRONMENTAL PERFORMANCE:
 - OPERATING TEMPERATURE: -25°C~+85°C.
 - IR REFLOW:
 - THE PEAK TEMPERATURE ON THE BOARD SHALL BE MAINTAINED FOR 10 SECONDS AT 260°C.
 - ROHS and HF COMPLIANT.

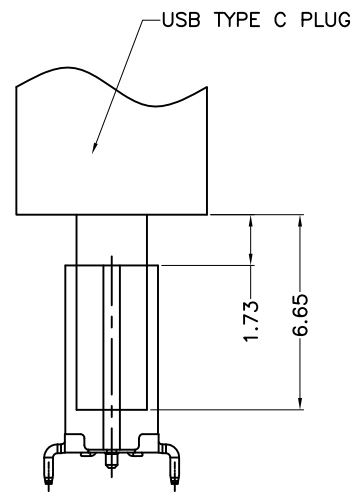


- A4Q1605-A-XX-R
- Mating Area plating
 - 01: Au 1u"Min.
 - 03: Au 3u"Min.
 - 05: Au 5u"Min.
 - 10: Au 10u"Min.
 - 15: Au 15u"Min.
 - 30: Au 30u"Min.

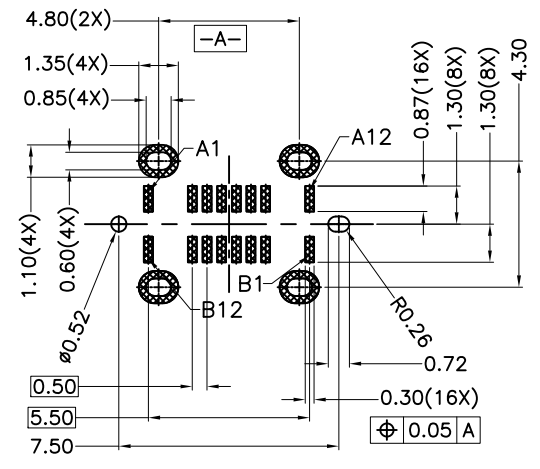
Item	Title	Material	Dispose	Remark
1	Shell	Stainless Steel	Ni:30u" Min.	—
2	Mid Plate	Stainless Steel	Clear Only	—
3	Top Contact	Copper Alloy	Mating Area: See P/N	—
4	Bottom Contact	Copper Alloy	Solder Tails: GF	△
5	Insulator	High Temperature Plastic	UL 94V-0	Black

X3	TE2020-XXXX	Change from C1814 to 18150	Mike	2020/03/05
X2	TE2020-XXXX	Change from Matt Tin to GF	Mike	2020/02/25
X1	TE2019-XXXX	New Drawing	Mike	2019/11/27
REV	ECN NO	DESCRIPTION	DESIGN	DATE

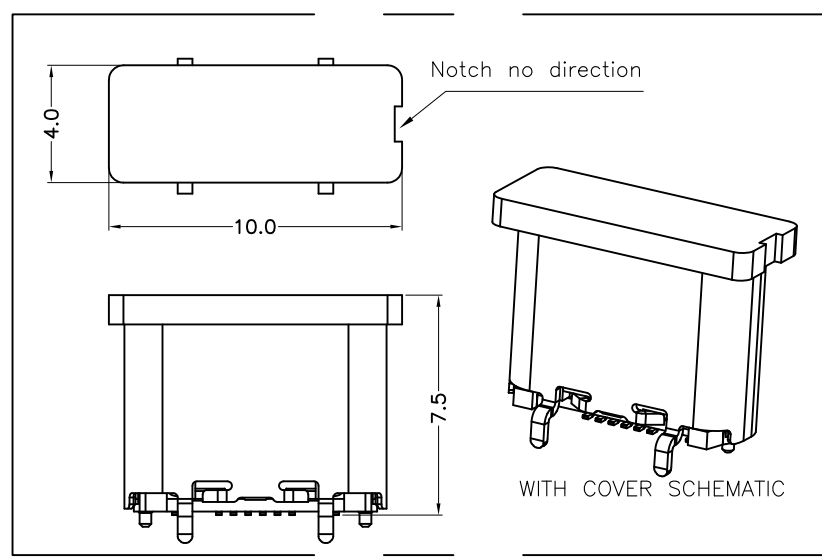
X. ± 0.35	APPD: Lebon Lee	TITLE: USB C F 16PIN VERTICAL W/O EMI SPRING,H6.5	
.X ± 0.25	CHKD: —		
.XX ± 0.15	DR: Mike	PART NO: A4Q1605-A-XX-R	SHEET: 1 OF 2 REV: X3
.XXX±	UNITS: mm	DWG NO: C-A4Q1605-A-XX-R	
X* ± 2°	SCALE: 4:1	CUSTOMER DRAWING	
.X* ± 1.5°			



FEMALE AND MALE MATCHING DRAWING



RECOMMENDED PCB LAYOUT(TOP VIEW)
THICKNESS 0.8±0.10MM;DEFAULT TOLERANCE:±0.05



USB TYPE-C PIN ASSIGNMENTS

PIN NUMBER	SIGNAL NAME	PIN NUMBER	SIGNAL NAME
A1	GND	B12	GND
A4	V _{bus}	B9	V _{bus}
A5	CC1	B8	SBU2
A6	Dp1	B7	Dn2
A7	Dn1	B6	Dp2
A8	SBU1	B5	CC2
A9	V _{bus}	B4	V _{bus}
A12	GND	B1	GND

X3	TE2020-XXXX	Change from C1814 to 18150	Mike	2020/03/05
X2	TE2020-XXXX	Change from Matt Tin to GF	Mike	2020/02/25
X1	TE2019-XXXX	New Drawing	Mike	2019/11/27
REV	ECN NO	DESCRIPTION	DESIGN	DATE

X. ± 0.35	APPD: Lebon Lee	TITLE: USB C F 16PIN VERTICAL W/O EMI SPRING,H6.5	
.X ± 0.25	CHKD: /		
.XX ± 0.15	DR: Mike	PART NO: A4Q1605-A-XX-R	DWG NO: CUSTOMER DRAWING C-A4Q1605-A-XX-R
.XXX±			
X* ± 2°		UNITS: mm	SCALE: 4:1
.X* ± 1.5°			
			SHEET: 20F2 REV: X3