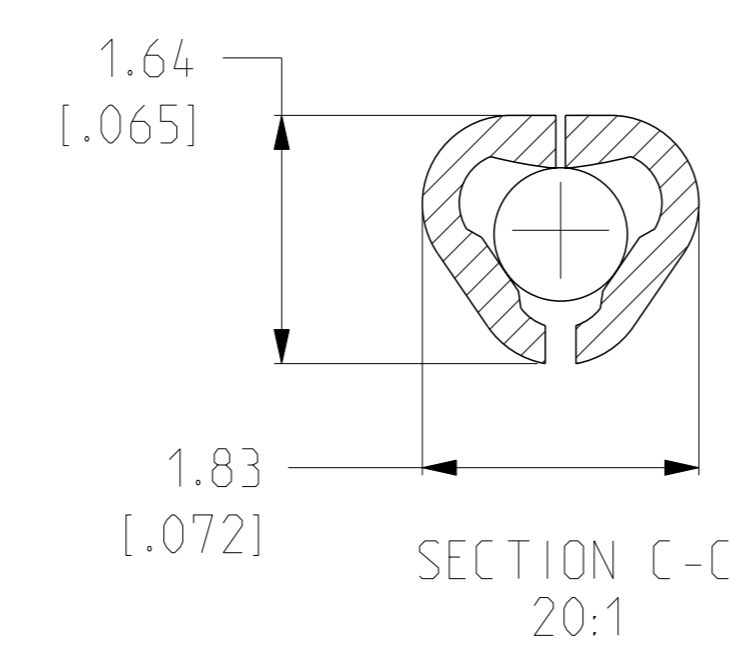
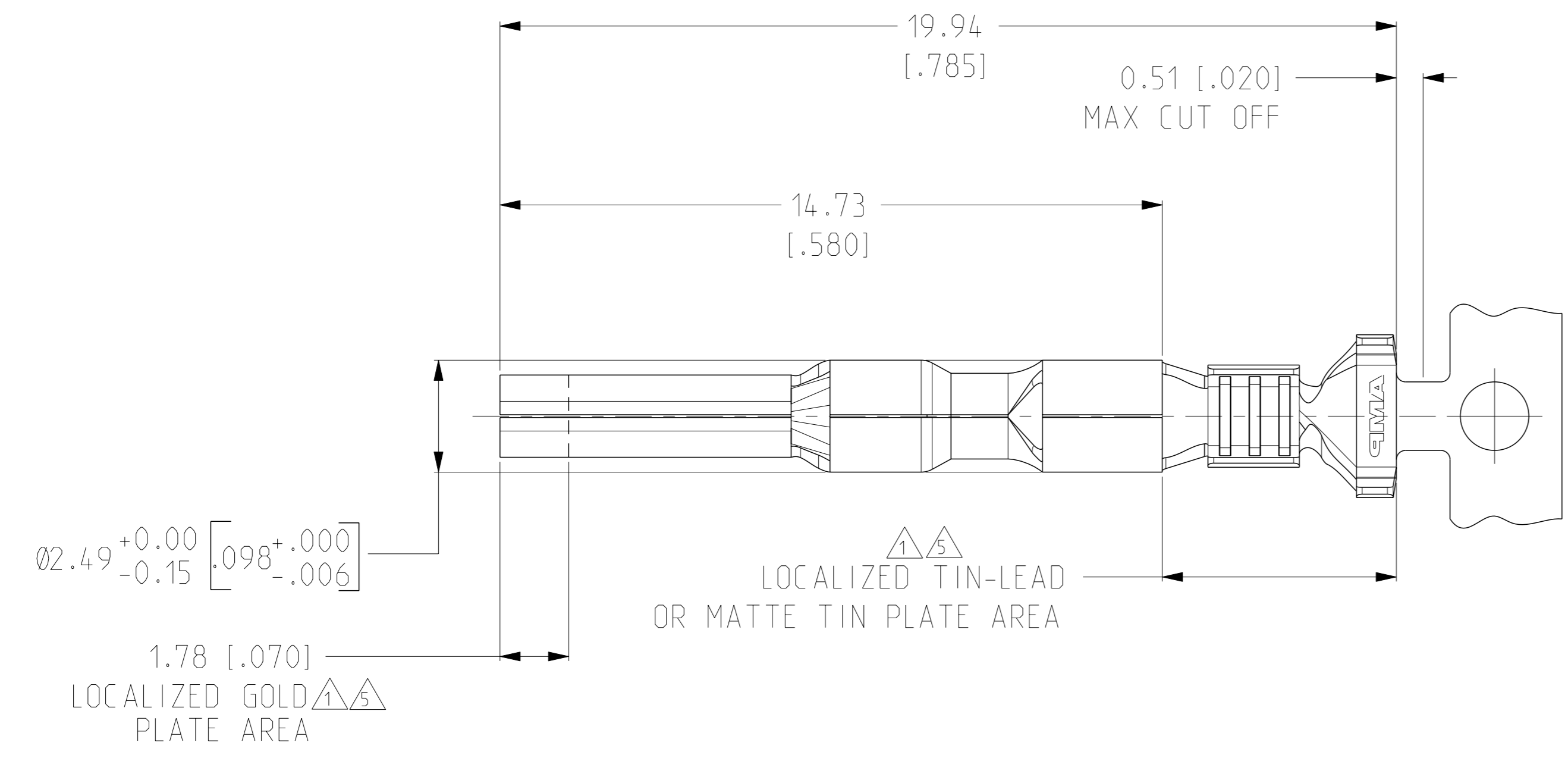
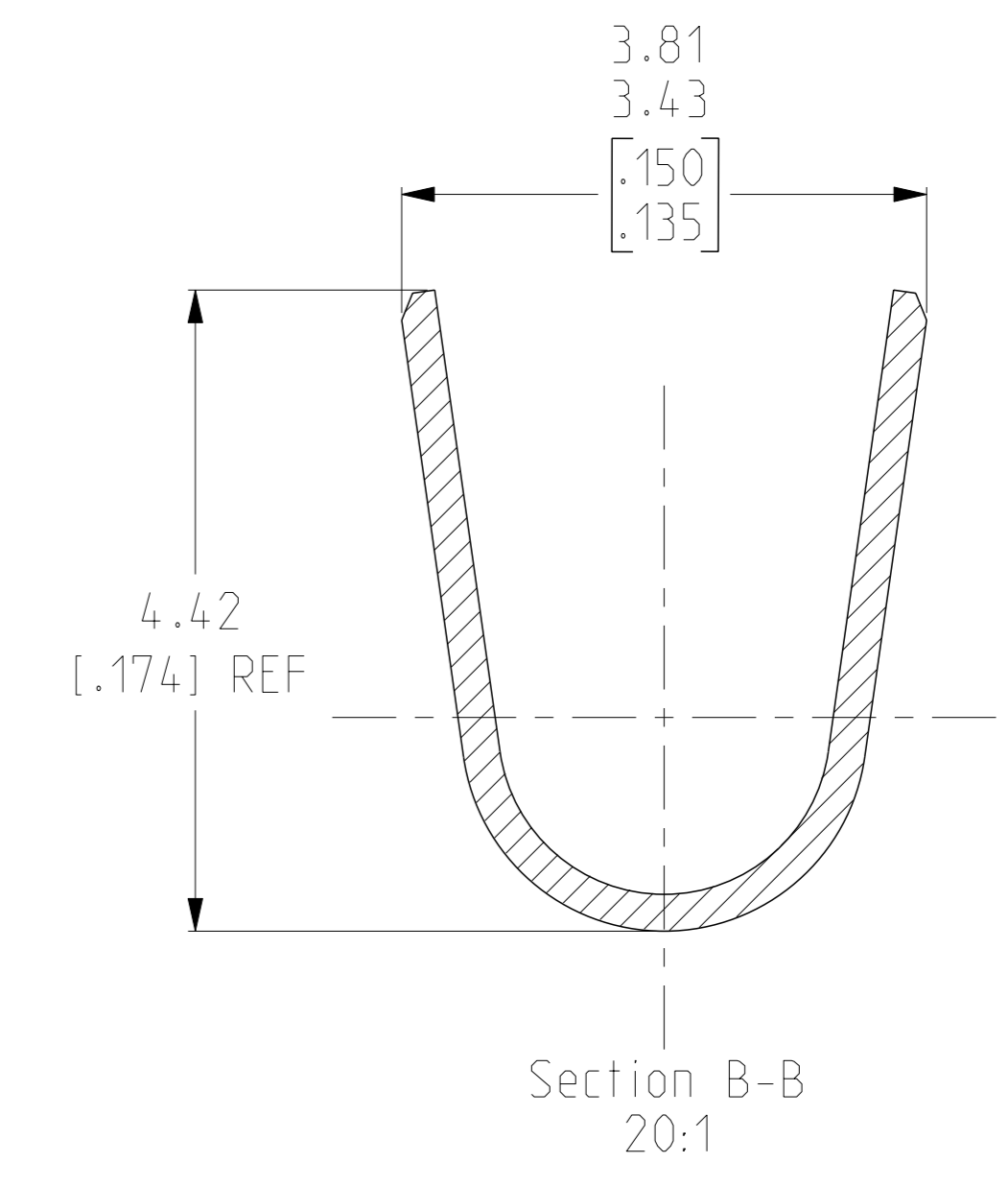
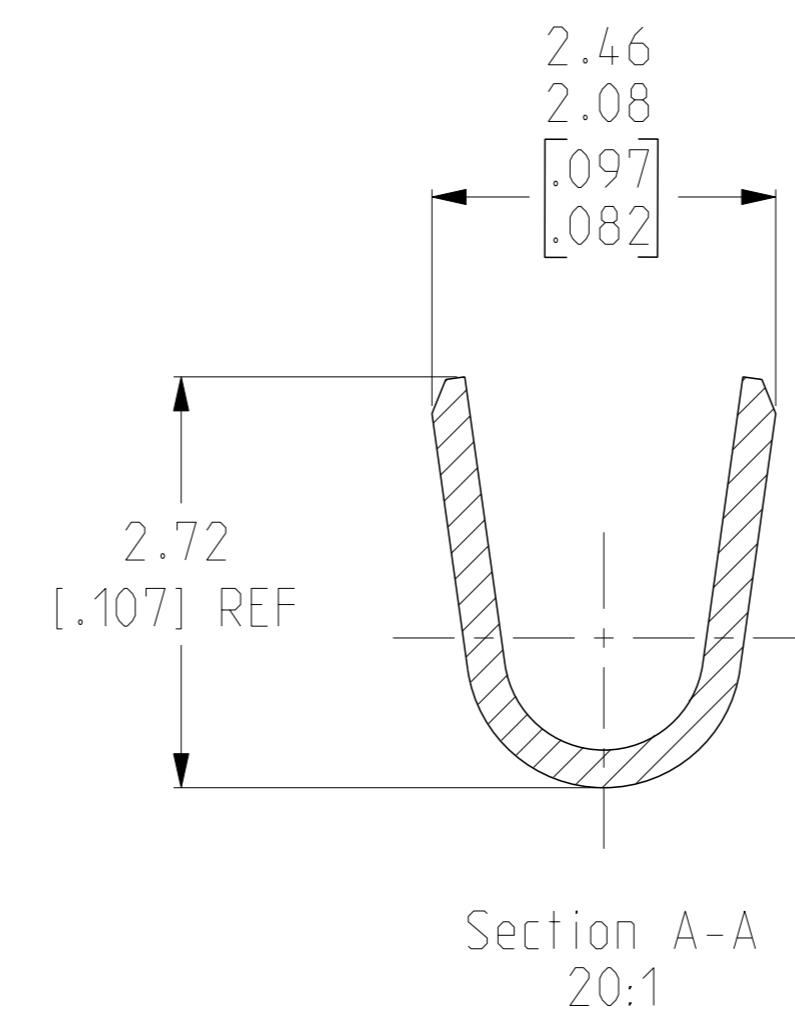
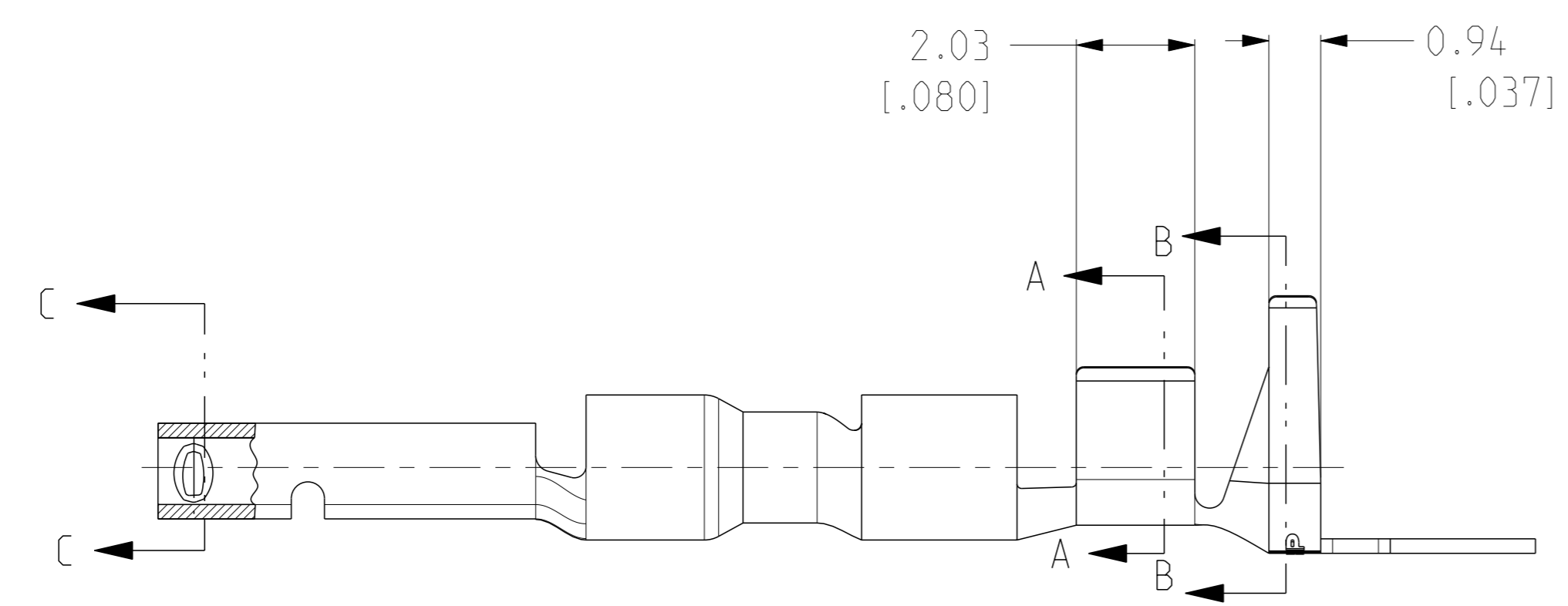


REVISIONS					
#	LY#	DESCRIPTION	DATE	OWN	APVD
	K	REDRAWN PER ECR-17-012487	19NOV2018	BDA	SG

- 1 0.00076 [.000030] MIN GOLD IN LOCALIZED GOLD PLATE AREA AND 0.00254 [.000100] MIN BRIGHT TIN-LEAD IN LOCALIZED TIN-LEAD PLATE AREA OVER 0.0013 [.000050] MIN NICKEL.
- 2 WIRE RANGE: 0.3-0.9MM² (22-18 AWG).
- 3 INSULATION RANGE: 1.50-2.39 [.059-.094] DIA.
- 4 DIMENSIONS IN BRACKETS ARE IN INCHES.
- 5 0.00076 [.000030] MIN GOLD IN LOCALIZED GOLD PLATE AREA AND 0.00254 [.000100] MIN MATTE TIN IN LOCALIZED TIN PLATE AREA OVER 0.0013 [.000050] MIN NICKEL.



1	0.25 [.010] BRASS	1-794221-0
2	0.25 [.010] BRASS	794221-3
PRE TIN	0.25 [.010] BRASS	794221-1
FINISH	MATERIAL	PART NUMBER

THIS DRAWING IS A CONTROLLED DOCUMENT.

DIMENSIONS: mm [INCHES]	TOLERANCES UNLESS OTHERWISE SPECIFIED:	OWN: R. VESTAL 1-15-97	CHK: R. SWING 1-15-97	APVD: D. SWING 1-15-97	NAME: SOCKET, MINI UNIVERSAL MATE-N-LOK 2		
0 PLC ±	1 PLC ±	TE Connectivity			SIZE: -		
2 PLC ±	3 PLC ±				CAGE CODE: -	DRAWING NO: -	RESTRICTED TO: -
4 PLC ±	ANGLES: *				APPLY TO: -	PRODUCT SPEC: -	SCALE: 5:1
MATERIAL: SEE TABLE	FINISH: SEE TABLE				WEIGHT: -	APPLICATION SPEC: -	SHEET 1 OF 1
CUSTOMER DRAWING		A1 00779 ©=794221		REV: K			