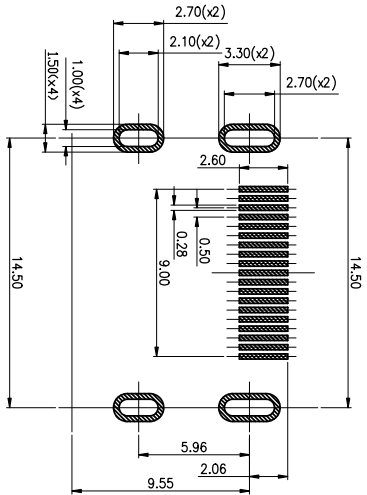
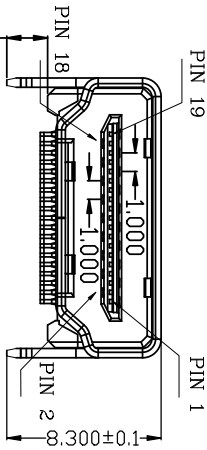
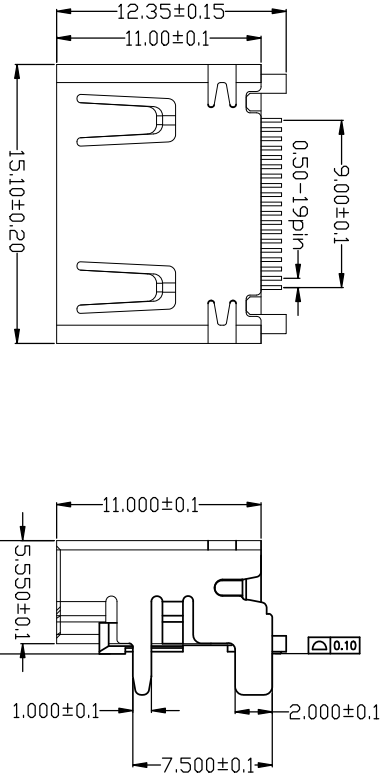


ROHS



| | | | |
|------|--------------|-----|------|
| MAPX | MODIFICATION | DRW | DATE |
| | | | |

SPECIFICATION

1. Electrical characteristics
 Contact Current Rating: 0.5 A
 Dielectric Withstanding Voltage: 300V AC
 Insulation Resistance: a. Mate 100MΩ MIN at 500V/DC
 b. Unmate 10MΩ MIN at 150V/DC
 Contact Resistance: 30mΩ MAX
 Temperature Range: -20° C to +85° C

2. Mechanical
 Mating Face: 44. 1N MAX
 Unmating Face: 9. 8N MIN, 39. 2N MAX
 Durability: 5000 Cycles

3. material:
 HOUSING: THERMOPLASTICS HIGH TEMP LCP+GLASS
 FIBER BLACK COLOR, UL94V-0
 CONTACT: Copper Alloy, T=0, 20MM
 SHEL: C26890, T=0, 50MM

4. PLATING:
 CONTACT: 1~30μ" GOLD/TIN PLATING ON CONTACT AREA
 100μ" MIN, TIN PLATING ON SOLDERPAILS
 50μ" MIN, NICKEL UNDERPLATING OVER ALL
 SHEL: 80μ", NICKEL UNDERPLATING OVER ALL

| 产品说明 | | 性能与说明 | |
|------|------|--|--|
| 序号 | 部件名称 | | |
| 1 | 底座 | 材质: UL94V-0高温; 颜色: BLACK | |
| 2 | 端子 | 材质: C2680-H T=0, 2mm, 电镀: 镀金50μ", 接触地方镀金10μ", 其余部分镀镍100μ"至150μ"; | |
| 3 | 铁壳 | 材质: SPCC T=0, 5mm, 电镀: 表面镀镍80μ"至100μ" | |
| 4 | 产品性能 | a. 耐电压: 500V AC1*1分钟; b. 接触电阻: 10mΩ MAX; c. 绝缘电阻: 100MΩ; d. 插入力: 41. 0N max, 拔出力: 9. 5N- 38. 4N; e. 寿命测试: 10000cycles Min; | |
| 5 | ROHS | 所用物料符合ROHS要求; | |

| PIN | Signal Assignment |
|-----|-------------------|
| 1 | Hot Plug Detect |
| 2 | Utility |
| 3 | TMDS Data2+ |
| 4 | TMDS Data2 Shield |
| 5 | TMDS Data2- |
| 6 | TMDS Data1+ |
| 7 | TMDS Data1 Shield |
| 8 | TMDS Data1- |
| 9 | TMDS Data0+ |
| 10 | TMDS Data0 Shield |
| 11 | TMDS Data0- |
| 12 | TMDS Clock+ |
| 13 | TMDS Clock Shield |
| 14 | TMDS Clock- |
| 15 | CEC |
| 16 | DDC/CEC Ground |
| 17 | SC |
| 18 | SDA |
| 19 | +5V Power |

产品图
 PRODUCT CHART DWG

| | |
|-------|----------------------------|
| 公差一览表 | TOLERANCE UNLESS OTHERWISE |
| X | ±0.25 X. |
| X | ±0.15 X. |
| XX | ±0.10 .XX |
| .XXX | ±0.05 .XXX |

深圳市精拓金电子有限公司
 Shenzhen Jing Tuo Jin Electronics Co., Ltd.

| | | | | | |
|------|------------|-----|-----|------|----------------------------|
| 单位 | MM | 制图 | 林属升 | 制料号 | 920-76292021010100 |
| 比例 | 1:1 | 审核 | 郭治富 | 产品名称 | DMI 19P母板加插板II.1.6*15.0*高壳 |
| 日期 | 2020-05-22 | 核准 | 黄国荣 | 制料号 | LCP黑壳SMT/绿带 |
| DATE | | APD | | 角法 | VER |

PCB LAYOUT
 Tolerance ±0.05