

## 300mA, Low $I_Q$ , High PSRR LDO Regulators in SOT23

### FEATURES

- 2.5V to 5.5V Input Voltage Range
- 320mV @300mA Dropout Voltage
- Excellent Transient Response
- Stable with 1 $\mu$ F Ceramic Output Capacitor
- 70dB PSRR at 1kHz
- Low 37 $\mu$ A Quiescent Current
- Output Accuracy:  $\pm 2\%$
- Fixed Output Voltage: 1.2V~3.3V
- Current Limit Protection
- Thermal Shutdown
- RoHS Compliant and 100% Lead (Fb)-Free Halogen-Free

### APPLICATIONS

- Cellular Phones
- Bluetooth portable radios and Accessories
- Battery-Powered Equipment
- Laptop, Palmtops, Notebook Computer
- PDAs
- Digital still Camera and Video Recorders

### TYPICAL APPILCATION

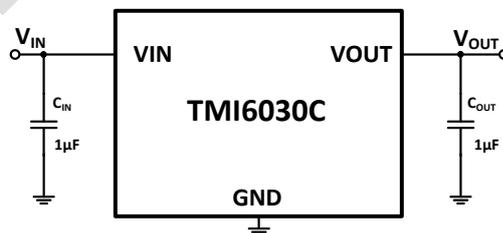


Figure 1. TMI6030C Application Circuits

### GENERAL DESCRIPTION

The TMI6030C is a 300mA, low-dropout (LDO) linear regulator with fast transient response and high PSRR. It offers high output accuracy, low dropout voltage and low quiescent current as well as fast start-up time. This regulator is based on a CMOS process.

The TMI6030C is designed to work with low-ESR ceramic capacitors, reducing the amount of the PCB area necessary for power applications. Only a 1 $\mu$ F ceramic output capacitor can make the device stable over the whole load range current (0mA to 300mA). Other key features include over-current protection and thermal shutdown. The TMI6030C is packaged in SOT23 packages.

## BLOCK DIAGRAM

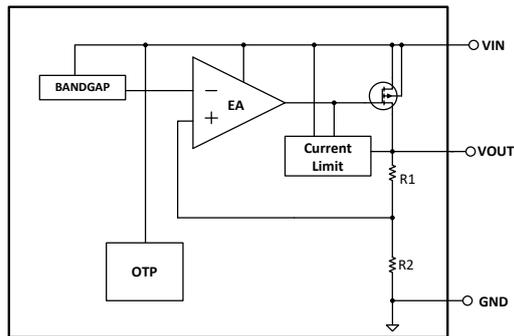


Figure 2. TMI6030C function block diagram

## ABSOLUTE MAXIMUM RATINGS

Description	Value	Unit
VIN Input Voltage Range	-0.3~6	V
VOUT Voltage Range	-0.3 to (VIN+0.3)	V
Junction Temperature	160	°C
Storage Temperature Range	-65~150	°C
Junction-to-ambient Thermal Resistance	260 (SOT23)	°C/W
Junction-to-case(top) Thermal Resistance	82	°C/W
Lead Temperature Soldering, 10Sec	260	°C

## ESD RATINGS

Items	Description	Value	Unit
V <sub>ESD_HBM</sub>	Human Body Model for all pins	±2000	V
V <sub>ESD_CDM</sub>	Charged Device Model for all pins	±2000	V

JEDEC specification JS-001

## RECOMMEND OPERATING CONDITIONS

Items	Description	Min	Max	Unit
Voltage Range	IN	2.5	5.5	V
T <sub>J</sub>	Operation Junction Temperature	-40	125	°C
T <sub>A</sub>	Operation Ambient Temperature	-40	85	°C

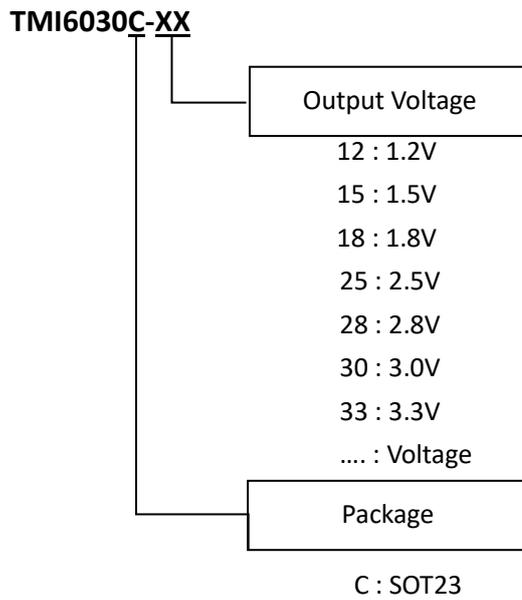
**PIN CONFIGURATION**

Package Type	Pin Configurations
TMI6030C / SOT23	

**PIN FUNCTIONS**

TMI6030C	Name	Function
1	GND	Signal Ground.
2	VOUT	Output of the LDO
3	VIN	Input Supply of the LDO.

## ORDER INFORMATION



Top Mark: TcXXXX (TcX: Device Code, XXX: Inside code)

Part Number	Package	Top Mark	Quantity/ Reel
TMI6030C-12	SOT23	TcBXXX	3000
TMI6030C-15	SOT23	TcHXXX	3000
TMI6030C-18	SOT23	TcCXXX	3000
TMI6030C-25	SOT23	TcDXXX	3000
TMI6030C-28	SOT23	TcEXXX	3000
TMI6030C-30	SOT23	TcFXXX	3000
TMI6030C-33	SOT23	TcGXXX	3000

TMI6030C devices are Pb-free and RoHS compliant.

**ELECTRICAL CHARACTERISTICS**
 **$T_A=25^{\circ}\text{C}$ ,  $V_{IN}=V_{OUT}+1\text{V}$ , or  $V_{IN}=2.5\text{V}$  for  $V_{OUT}<1.5\text{V}$  unless otherwise specified.**

Symbol	Parameter	conditions	Min	Typ	Max	Unit
<b>Input Voltage</b>						
$V_{IN}$	Input Voltage Range		2.5		5.5	V
$I_Q$	Quiescent Current	$I_{OUT}=0\text{mA}$	35		70	$\mu\text{A}$
PSRR	Power Supply Ripple Rejection	$V_{IN}=V_{nom}+1V_{P-P}$ , $f=1\text{kHz}$ , $I_{LOAD}=10\text{mA}$		70		dB
<b>Output Voltage</b>						
$V_{OUT}$	Output Voltage Accuracy	$V_{IN}=V_{OUT}+1\text{V}$ , $I_{OUT}=10\text{mA}$	-2		+2	%
		$V_{IN}=V_{OUT}+1\text{V}$ , $I_{OUT}=10\text{mA}$ , $T_A=-40^{\circ}\text{C}$ to $+85^{\circ}\text{C}$	-3		+3	%
$V_{LNR}$	Output Line Regulation	$V_{OUT}+0.5\text{V}<V_{IN}<5.5\text{V}$ , $I_{OUT}=10\text{mA}$		0.01	0.1	%/V
$V_{LDR}$	Output Load Regulation	$1\text{mA}<I_{OUT}<300\text{mA}$ , $V_{IN}=V_{NOM}+1.0\text{V}$		3	6	mV
$V_{DROP}$	Dropout Voltage (Note 1)	$I_{OUT}=300\text{mA}$ (Applied for $V_{OUT}\geq 2.3\text{V}$ )		320	350	mV
$I_{OUTMAX}$	Maximum Output Current		300			mA
<b>Protection</b>						
$I_{limit}$	Current Limit		650			mA
$I_{short}$	Output Short Current Limit	$V_{OUT}=0\text{V}$		100		mA
$T_{SD}$	Thermal Shutdown Temperature (Note 2)	No Load, $V_{IN}=5\text{V}$		160		$^{\circ}\text{C}$
$T_{SDHYS}$ (Note 2)	Thermal Shutdown Hysteresis	No Load, $V_{IN}=5\text{V}$		20		$^{\circ}\text{C}$

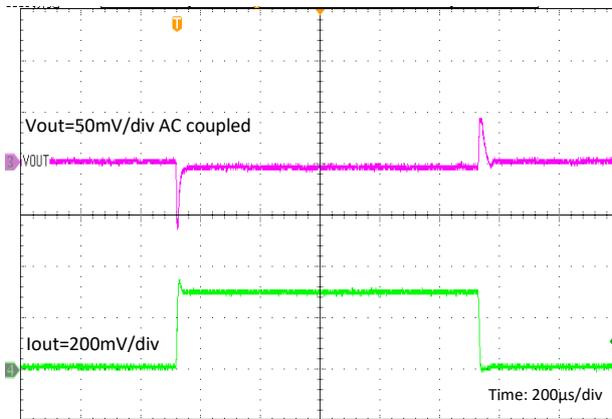
**Note 1:** Dropout is defined as  $V_{IN}-V_{OUT}$  when  $V_{OUT}$  is 2% below the value of  $V_{OUT}$  for  $V_{IN}=V_{OUT}+0.5\text{V}$ .

**Note 2:** Thermal shutdown threshold and hysteresis are guaranteed by design.

## TYPICAL PERFORMANCE CHARACTERISTICS

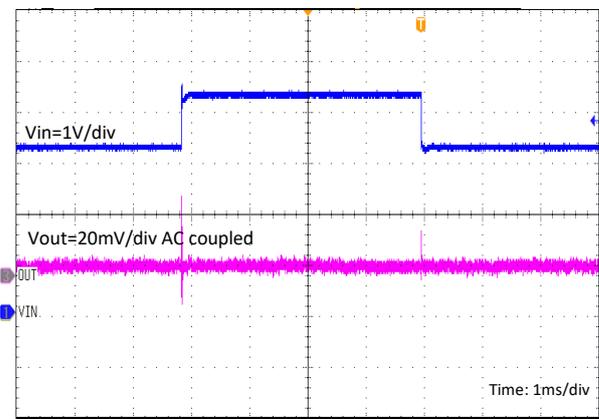
### Load Transient

Vin=3.8V, Vo=2.8V, Io=10mA to 300mA



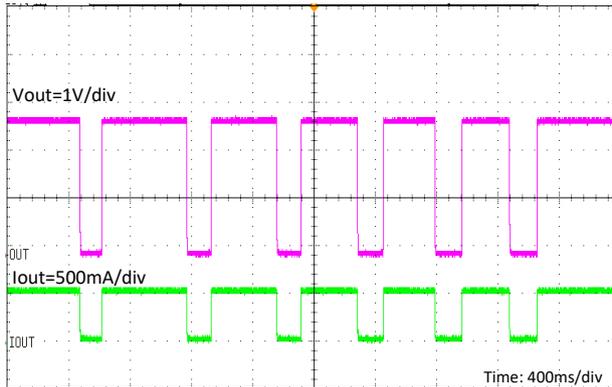
### Line Transient

Vo=2.8V, Io=10mA, Vin=3.3V to 4.3V



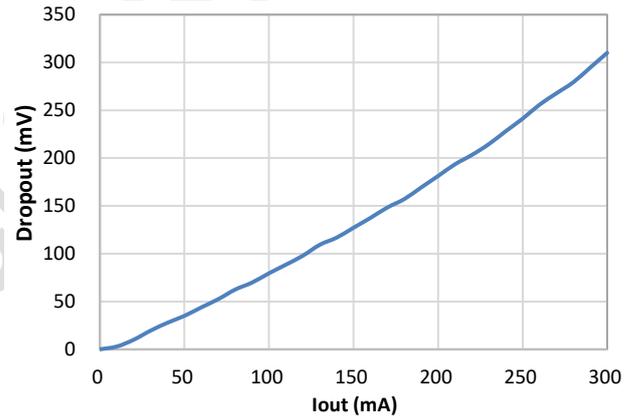
### Over Temperature Protection

Vin=3.8V, Vo=2.8V, Ro=5.1Ω



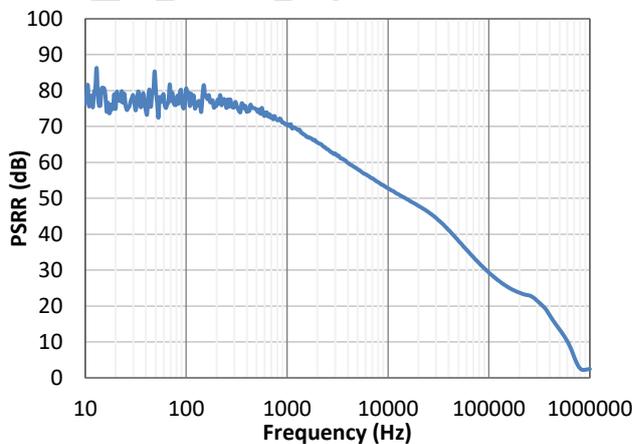
### Dropout vs. Iout

Vin=3.8V, Ta=25°C



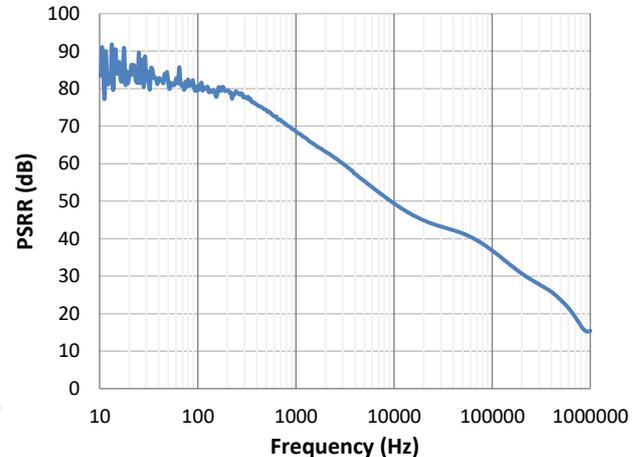
### PSRR vs Frequency

Vin=2.5V, Vo=1.5V, Io=10mA, Ta=25°C



### PSRR vs Frequency

Vin=3.8V, Vo=2.8V, Io=10mA, Ta=25°C



## Detailed Function Description

The TMI6030C is a high output current, low dropout linear regulator with fast transient response and high PSRR in SOT23 package. It offers high output accuracy, low quiescent current and fast start-up time. It is designed to work with low-ESR ceramic capacitor, reducing the amount of the PCB area. Only a 1 $\mu$ F ceramic output capacitor can make the device stable over the whole load range.

As shown in the function block diagram, the TMI6030C is composed of the bandgap reference voltage, the error amplifier, P-channel MOSFET pass transistor, internal resistor divider and some additional protection circuits. The reference voltage, connected to the cathode terminal of the error amplifier, compares with the feedback voltage to regulate the output voltage to make it constant over the whole load current range. If the feedback voltage is lower than the reference voltage, the pass transistor gate is pulled lower to increase its conductivity. This allows more current to flow to the output and increase the output voltage. If the feedback voltage is higher than the reference voltage, the pass transistor gate is pulled higher to decrease its conductivity. This allows less current to flow to the output and decrease the output voltage. The feedback point is the output of the inner resistor divider connected to the V<sub>OUT</sub> pin.

### Current Limit

The TMI6030C includes a current limit circuit to monitor the gate voltage of the pass transistor to limit the output current. When the output current is higher than the over-current limit, the circuit will clamp the gate voltage of the pass transistor to limit the output current.

### Short Circuit Protection

When V<sub>OUT</sub> pin is short-circuit to GND, short circuit protection will be triggered and clamp the output current to approximately 100mA. This feature protects the regulator from over current condition and damage due to overheating.

### Thermal Shutdown

The TMI6030C monitors internal temperature. When the junction temperature exceeds 160°C, the over temperature protection (OTP) circuit turn off the pass transistor until the device is cooled down by 20°C. Then the pass transistor resumes. For continue operation, do not exceed absolute maximum junction temperature.

## Application Information

### External capacitor

The TMI6030C requires external capacitor for stability. It is specifically designed to work with low-ESR capacitors requiring minimum PCB area. Place the external capacitors as close as possible to the device.

### Input capacitor

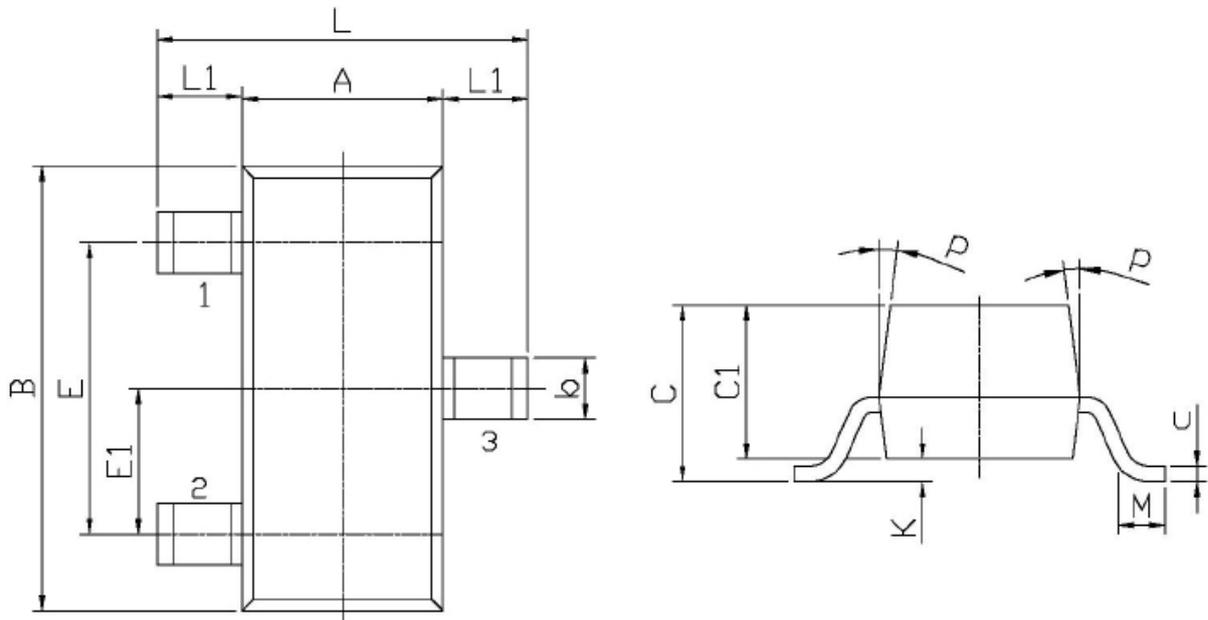
A 1 $\mu$ F or higher capacitance value ceramic capacitor is required between the VIN pin and the GND pin. Place it as close as possible to the device. There are no requirements for the ESR on the input capacitor, but the tolerance and temperature coefficient must be capacitance is 1 $\mu$ F over the whole operating temperature range.

### Output capacitor

An output capacitor ( $C_{OUT}$ ) is needed to improve transient response and maintain stability. The TMI6030C is stable with very small ceramic output capacitors. A 1 $\mu$ F to 10 $\mu$ F capacitor is suitable for the most TMI6030C applications.

**PACKAGE INFORMATION**

**SOT23**



Unit: mm

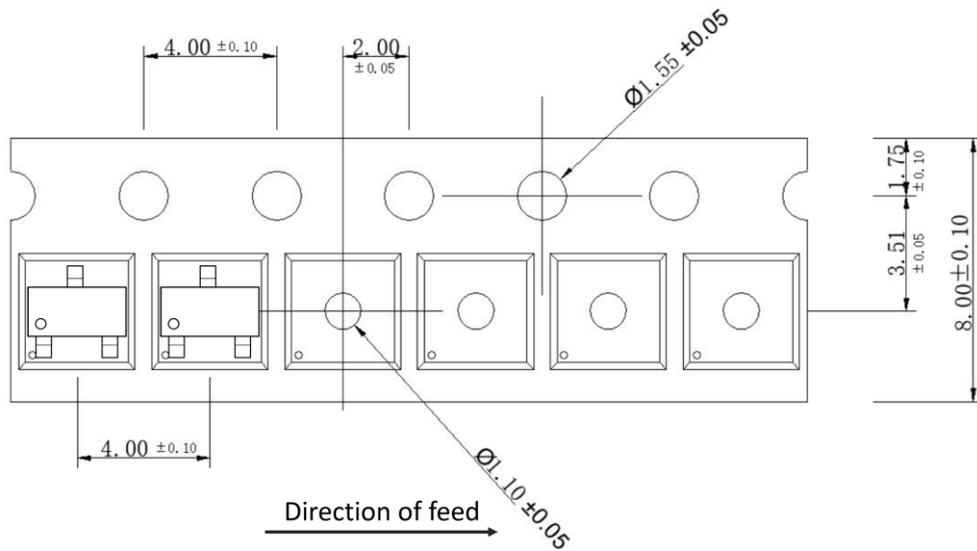
Symbol	Dimensions In Millimeters		Symbol	Dimensions In Millimeters	
	Min	Max		Min	Max
L	2.2	2.7	C	1.30 MAX	
L1	0.45	0.65	C1	0.90	1.20
A	1.15	1.50	c	0.05	0.20
B	2.70	3.10	K	0	0.10
E	1.70	2.10	M	0.20 MIN	
E1	0.85	1.05	P	7°	
b	0.35	0.55			

**Note:**

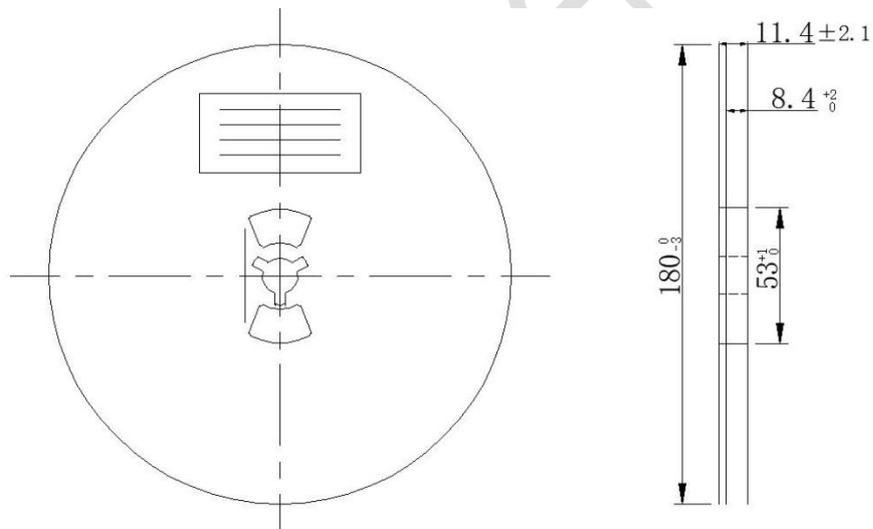
- 1) All dimensions are in millimeters.
- 2) Package length does not include mold flash, protrusion or gate burr.
- 3) Package width does not include inter lead flash or protrusion.
- 4) Lead popularity (bottom of leads after forming) shall be 0.10 millimeters max.

## TAPE AND REEL INFORMATION

### TAPE DIMENSIONS:



### REEL DIMENSIONS:



#### Note:

- 1) All Dimensions are in Millimeter
- 2) Quantity of Units per Reel is 3000
- 3) MSL level is level 3.