

TAI-SAW TECHNOLOGY CO., LTD.

No. 3, Industrial 2nd Rd., Ping-Chen Industrial District,
Taoyuan, 324, Taiwan, R.O.C.

TEL: 886-3-4690038 FAX: 886-3-4697532

E-mail: tstsales@mail.taisaw.com Web: www.taisaw.com

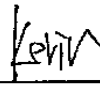
Product Specifications Approval Sheet

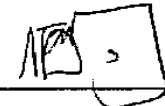
Product Description: SAW Filter 1330 MHz SMD 3.0X3.0 mm (BW=80MHz)

TST Part No.: TA1387A

Customer Part No.: _____

Customer signature required
Company: _____
Division: _____
Approved by : _____
Date: _____

Checked by: _____ Kevin Hsu 

Approved by: _____ Francis Chen 

Date: _____ 10/05/2011

1. Customer signed back is required before TST can proceed with sample build and receive orders.
2. Orders received without customer signed back will be regarded as agreement on the specifications.
3. Any specifications changes must be approved upon by both parties and a new revision of specifications shall be released to reflect the changes.



TAI-SAW TECHNOLOGY CO., LTD.

No. 3, Industrial 2nd Rd., Ping-Chen Industrial District,
Taoyuan, 324, Taiwan, R.O.C.

TEL: 886-3-4690038 FAX: 886-3-4697532

E-mail: tstsales@mail.taisaw.com Web: www.taisaw.com

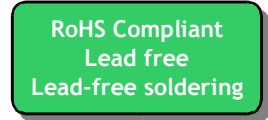
SAW Filter 1330MHz

MODEL NO.:TA1387A

REV. NO.:1

A. MAXIMUM RATING:

1. Input Power Level: 10 dBm
2. DC Voltage : 3V
3. Operating Temperature: -50°C to +85°C
4. Storage Temperature: -50°C to +85°C



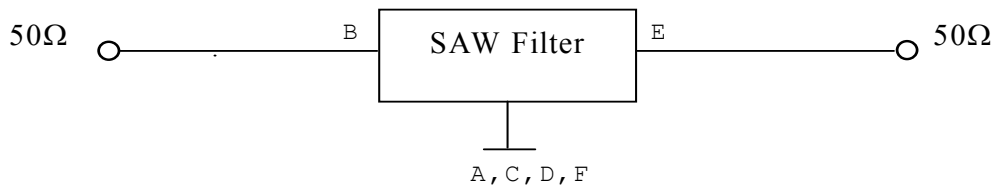
Electrostatic Sensitive Device (ESD)

B. ELECTRICAL CHARACTERISTICS:

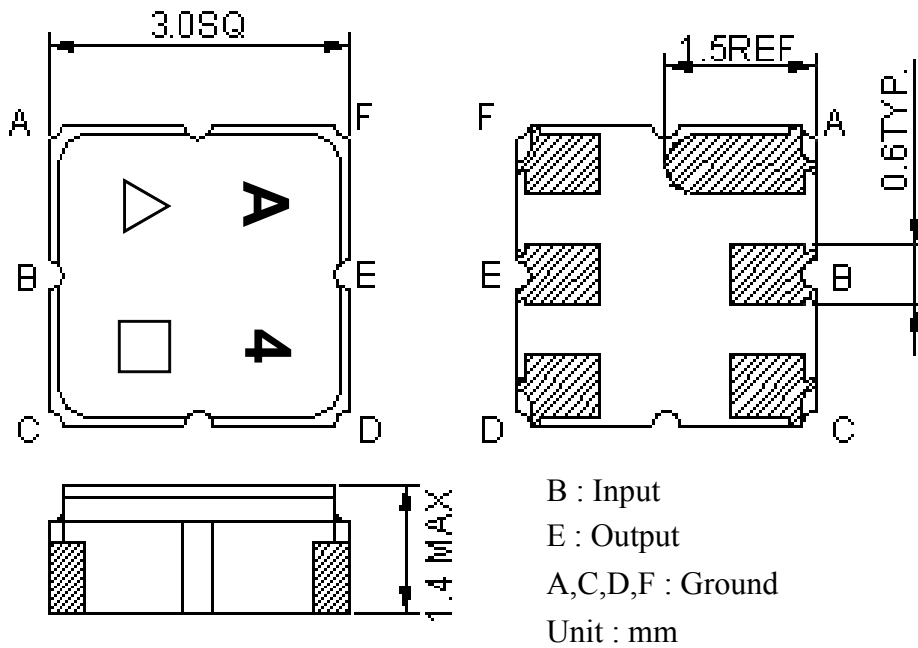
Item	Unit	Min.	Typ.	Max.
Center frequency, Fc	MHz	-	1330	-
Insertion loss, IL (1290~1370 MHz)	dB	-	5.4	7
Amplitude ripple (1290~1370 MHz)	dB	-	1	2.3
VSWR (1290~1370 MHz)		-	1.7	2.5
Attenuation (reference from 0dB)				
10 ~ 1200 MHz	dB	40	44	-
1450 ~ 3000 MHz	dB	33	37	-
3000 ~ 4000 MHz	dB	22	26	-
4000 ~ 5000 MHz	dB	12	10	-
5000 ~ 6000 MHz	dB	6	5	-
Source impedance Z_s	Ω	-	50	-
Load impedance Z_L	Ω	-	50	-

C. MEASUREMENT CIRCUIT:

HP Network analyzer

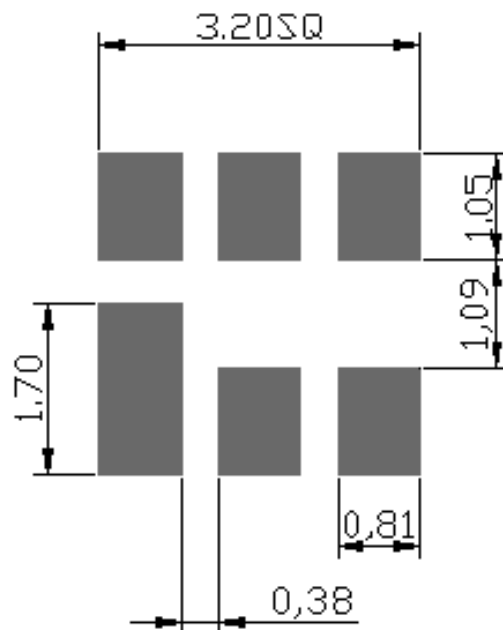


D.OUTLINE DRAWING:



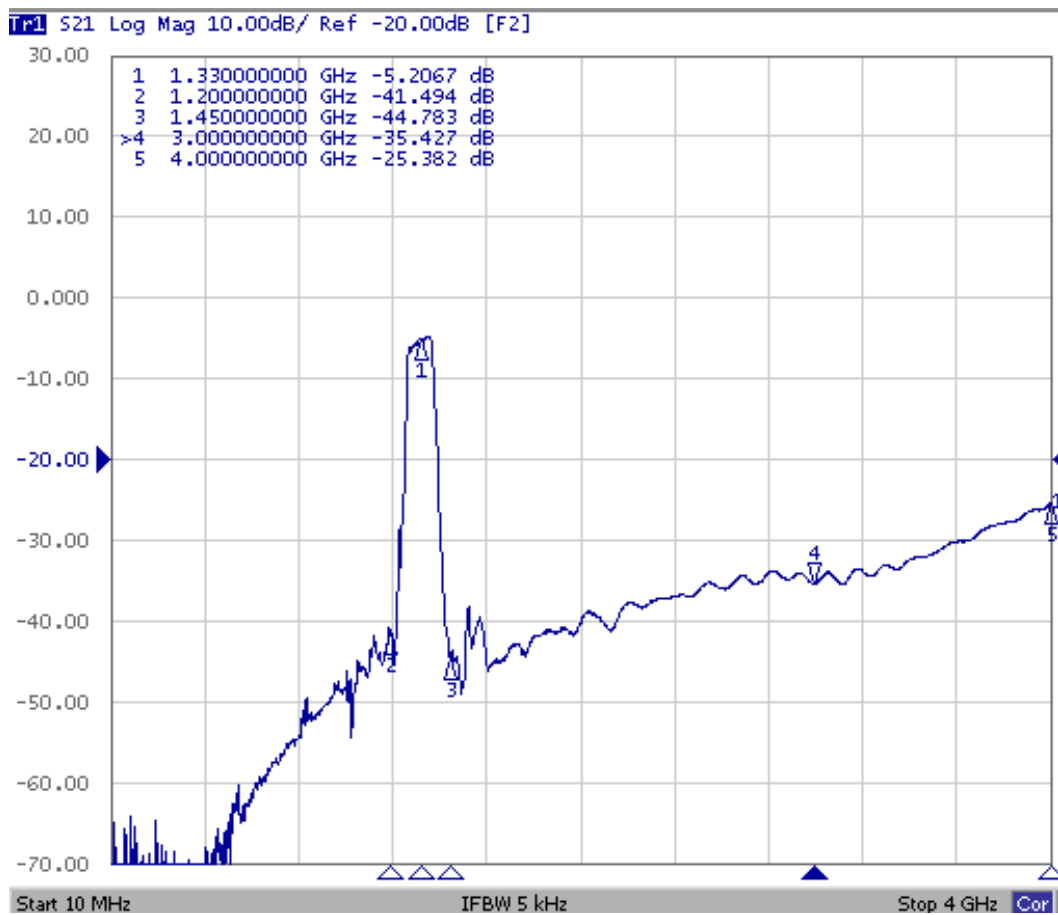
- △ : Year Code (2011->1, 2012->2 ..., 2019->9)
- : Date Code (W01->A,W02->B,...W27->a,...,W52->z)

E. PCB Footprint:

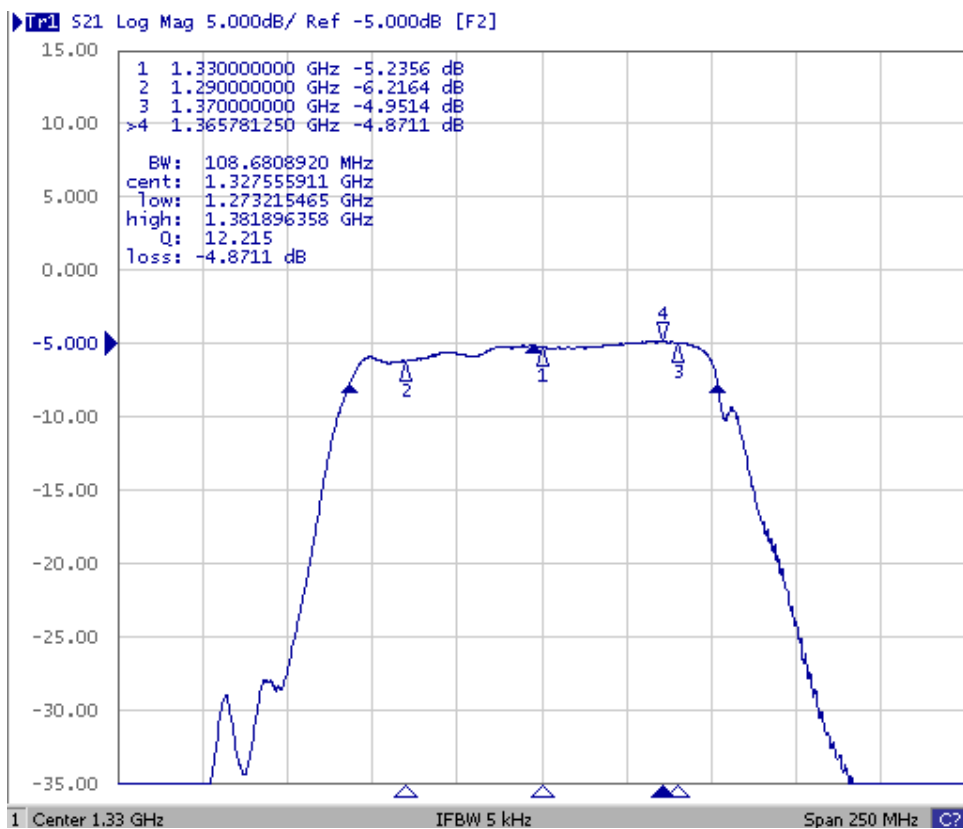


F. Frequency Characteristics :

(1) Wideband response: (10~4000MHz)

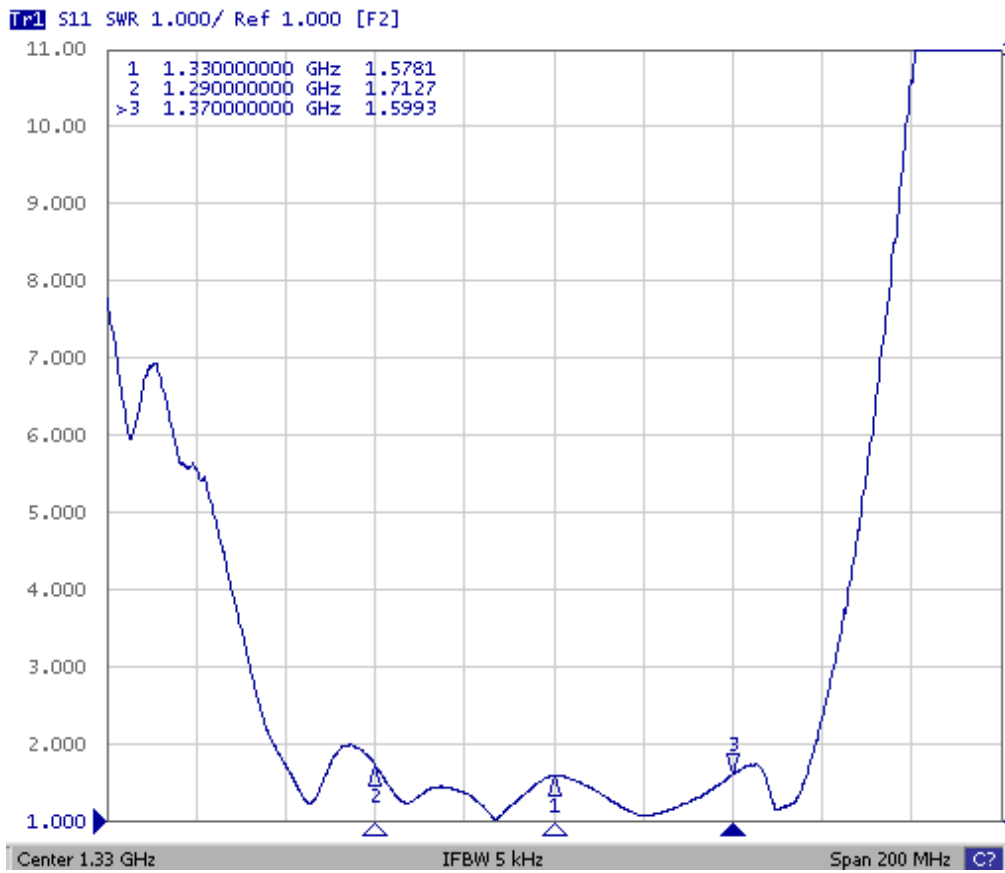


(2) Narrowband response:(span250MHz)

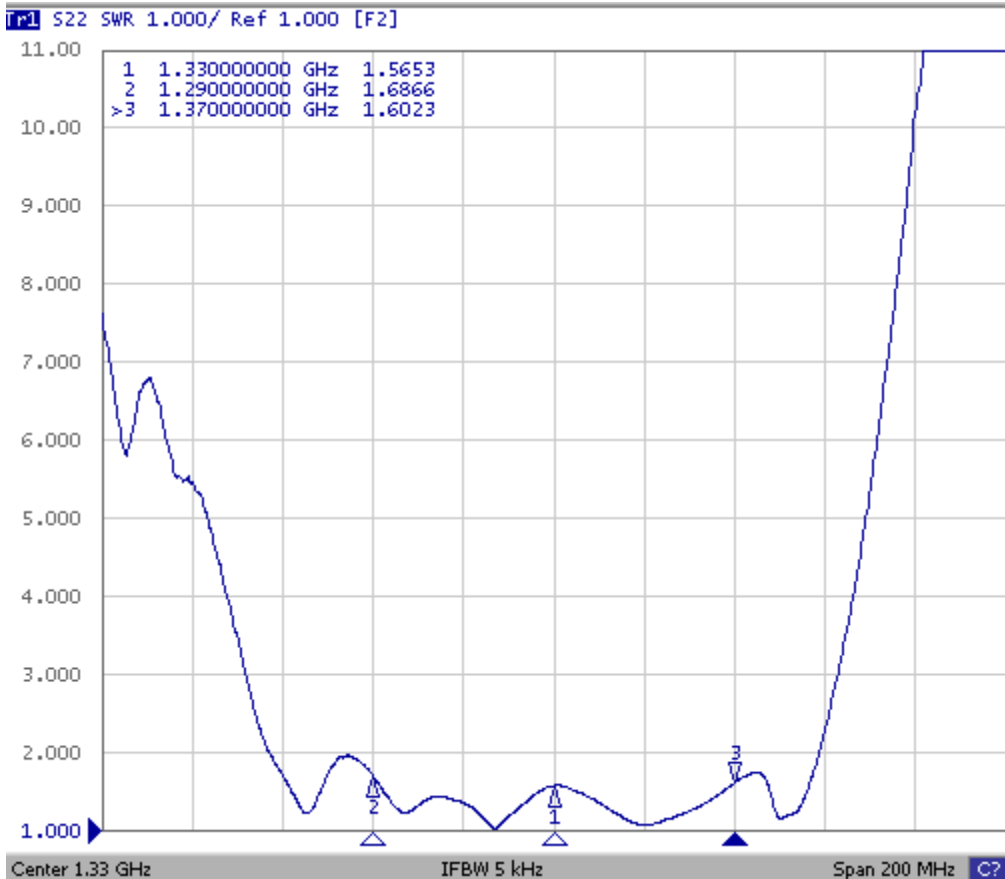


(3) VSWR(span200MHz)

|S11|



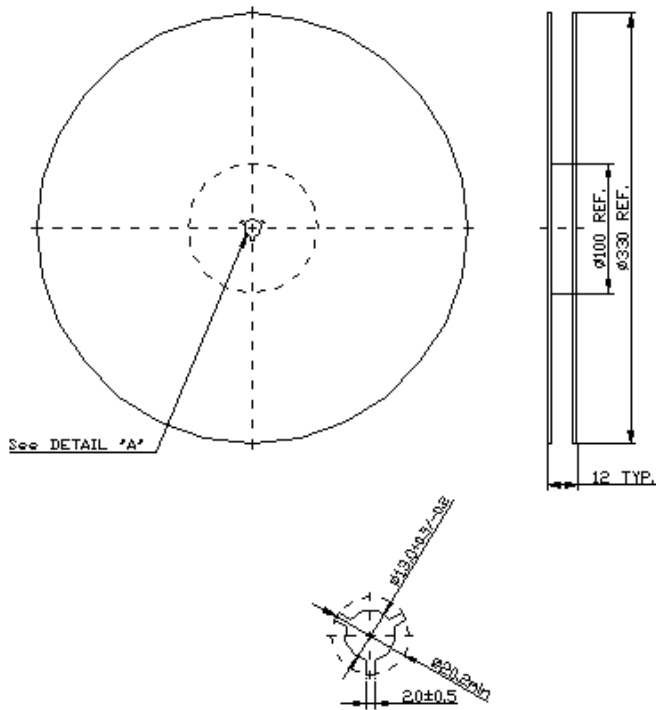
|S22|



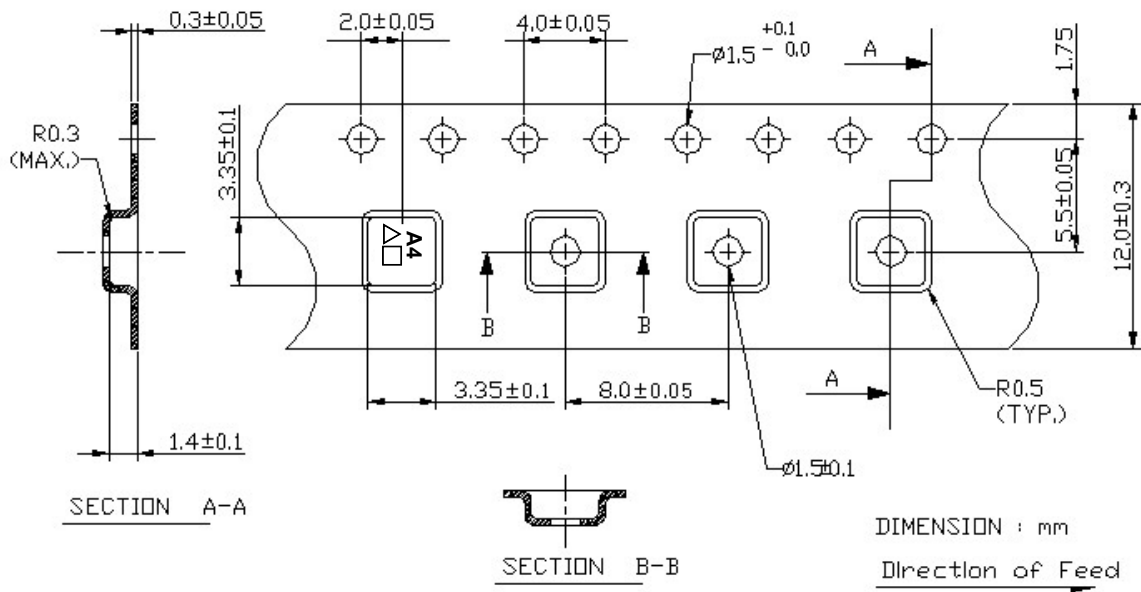
G. PACKING:

1. REEL DIMENSION

(Reel Count : 7"=1000 ; 13"=3000)



2. TAPE DIMENSION



H. RECOMMENDED REFLOW PROFILE :

