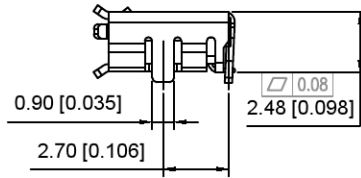
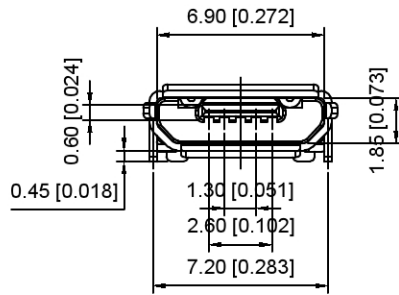
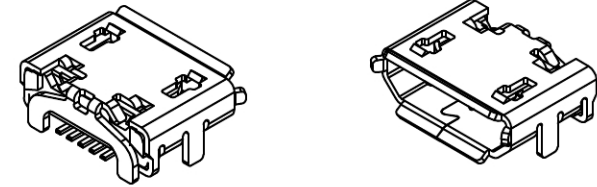
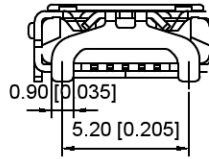
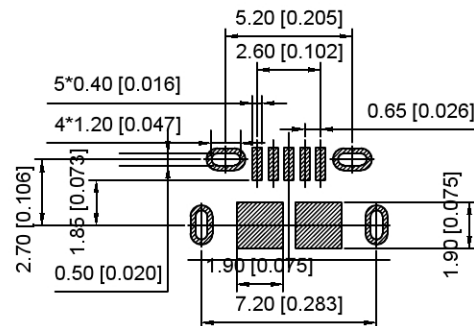
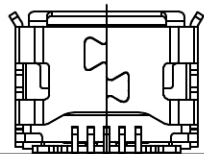


Scrolls (S)



NOTES:

1. MATERIAL&FINISH:SEE TABLE A;
2. SPECIALITY:
  - 2.1 RATED CURRENT:1.8A For Pin1.5  
0.5A For Pin 2.3.4
  - 2.2 RATED VOLTAGE:30V
  - 2.3 CONTACT RESISTANCE:30mΩ Max
  - 2.4 INSULATION RESISTANCE:1000M Ω Min 500V DC
  - 2.5 DIELECTRIC WITHSTANDING VOLTAGE:100V AC 1Min.
  - 2.6 SOLDER ABILITY:255±5℃ ,5±0.5S.
  - 2.7 DURABILITY:5000 CYCLES Min.
  - 2.8 OPERATING CONDITION:TEMPERATURE -40℃~+85℃  
HUMIDITY 80% R.H Max
3. MECHANICAL:
  - 3.1 INSERTION FORCE:35N Max
  - 3.2 EXTRACTION FORCE:8N Min
4. PLEASE CONTACT JITS SALES REPRESENTATIVE TO VERIFY PRODUCT DETAILS & AVAILABILITY



RECOMMENDED PCB LAYOUT(TOP VIEW)  
GENERAL TOLERANCES:±0.05

U254-05XN-4BH24-X2S

- 1:AU 1U"
- 5:AU 15U"
- 6:AU 30U"
- T:TIN
- N:NICKEL
- S:Sus
- 2:WITHOUT
- S:Scrolls F:Flat
- B:BLACK W:WHITE
- 1:PBT
- 2:PA6T
- 3:PA9T
- 4:LCP

广东星坤科技股份有限公司

生	日期
发	日期
ΔX	日期
MARK	日期
文件工程章	

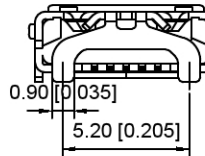
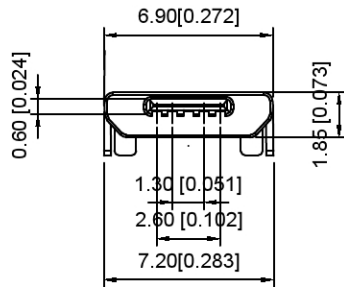
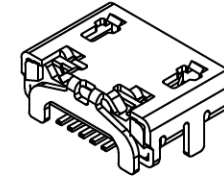
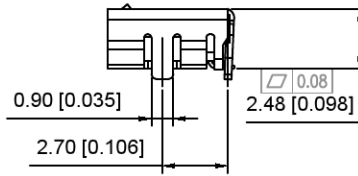
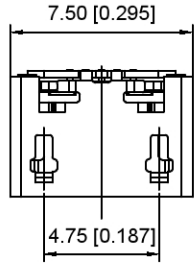
REVISIONS

www.xkcg.cn www.helloxkb.com www.helloxkb.cn

ANGULAR	±5°
L ≤ 4	±0.2
4 < L ≤ 16	±0.3
16 < L ≤ 63	±0.4
L > 63	±0.5

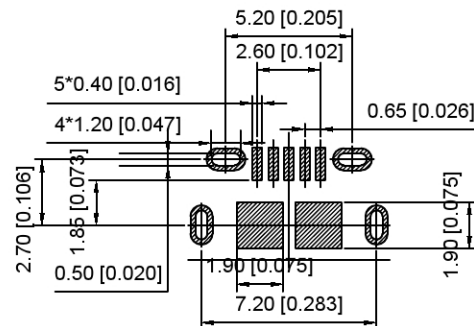
UNSPECIFIED TOLERANCES

DSND	DATE	SCALE: N/A	MODEL TYPE:		
DWN	DATE	VIEW:	MICRO USB		
CHKD	DATE	UNIT: mm/in	PART NO.:		
APPD	DATE	SIZE: A4	DWG NO.:		
KXB INDUSTRIAL PRECISION CO., LIMITED			U254-05XN-4BH24-S2S		
			WEIGHT	SHEET	REVISION
			1.0g	1/1	A0

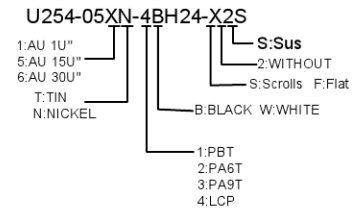


NOTES:

1. MATERIAL&FINISH:SEE TABLE A;
2. SPECIALITY:
  - 2.1 RATED CURRENT:1.8A For Pin1.5  
0.5A For Pin 2.3.4
  - 2.2 RATED VOLTAGE:30V
  - 2.3 CONTACT RESISTANCE:30mΩ Max
  - 2.4 INSULATION RESISTANCE:1000M Ω Min 500V DC
  - 2.5 DIELECTRIC WITHSTANDING VOLTAGE:100V AC 1Min.
  - 2.6 SOLDER ABILITY:255±5℃ ,5±0.5S.
  - 2.7 DURABILITY:5000 CYCLES Min.
  - 2.8 OPERATING CONDITION:TEMPERATURE -40℃~+85℃  
HUMIDITY 80% R.H Max
3. MECHANICAL:
  - 3.1 INSERTION FORCE:35N Max
  - 3.2 EXTRACTION FORCE:8N Min
4. PLEASE CONTACT JITS SALES REPRESENTATIVE TO VERIFY PRODUCT DETAILS & AVAILABILITY



RECOMMENDED PCB LAYOUT(TOP VIEW)  
GENERAL TOLERANCES:±0.05



广东星坤科技股份有限公司

生	日期
發	日期
ΔX	日期
MARK	日期
文件	工程
章	章

REVISIONS	DATE	REVISED	APPROVED	UNSPECIFIED TOLERANCES
ANGULAR				±5°
L ≤ 4				±0.2
4 < L ≤ 16				±0.3
16 < L ≤ 63				±0.4
L > 63				±0.5

DSND	DATE	SCALE: N/A	MODEL TYPE:
DWN	DATE	VIEW:	MICRO USB
CHKD	DATE	UNIT: mm/in	PART NO.:
APPD	DATE	SIZE: A4	DWG NO.:
KXB INDUSTRIAL PRECISION CO., LIMITED			U254-05XN-4BH24-F2S
WEIGHT	SHEET	REVISION	
1.0g	1/1	A0	