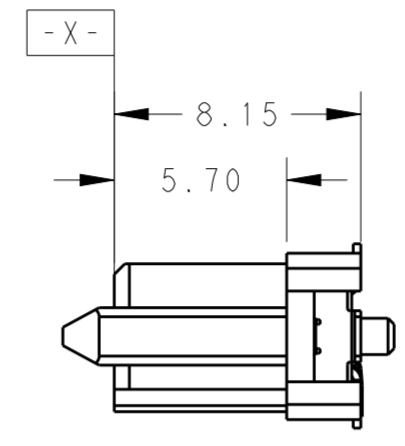
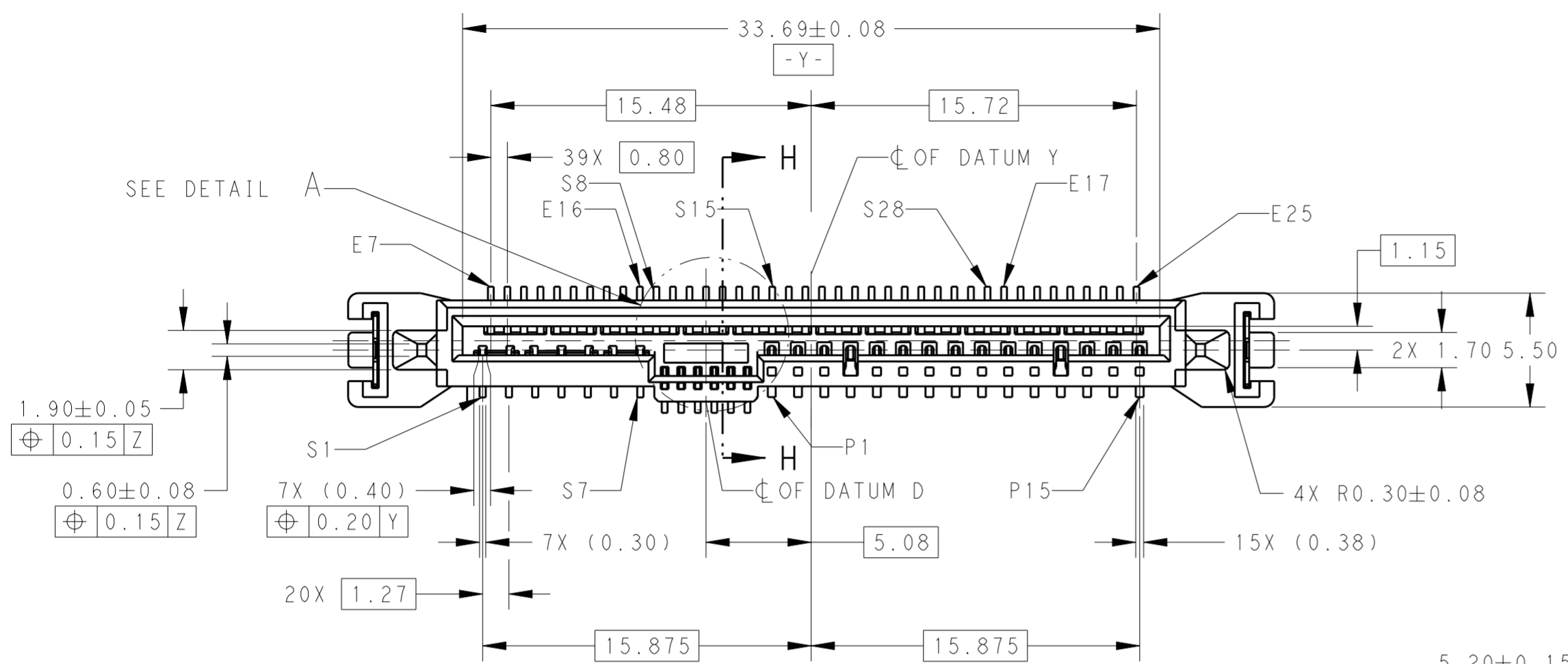
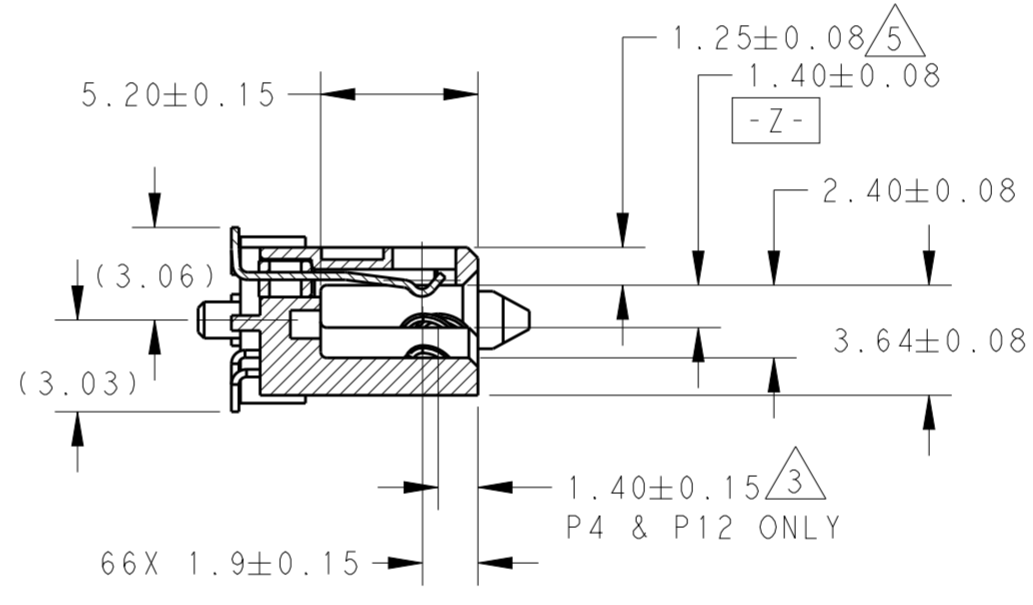


THIS DRAWING IS UNPUBLISHED. RELEASED FOR PUBLICATION 20
 © COPYRIGHT 20 BY - ALL RIGHTS RESERVED.

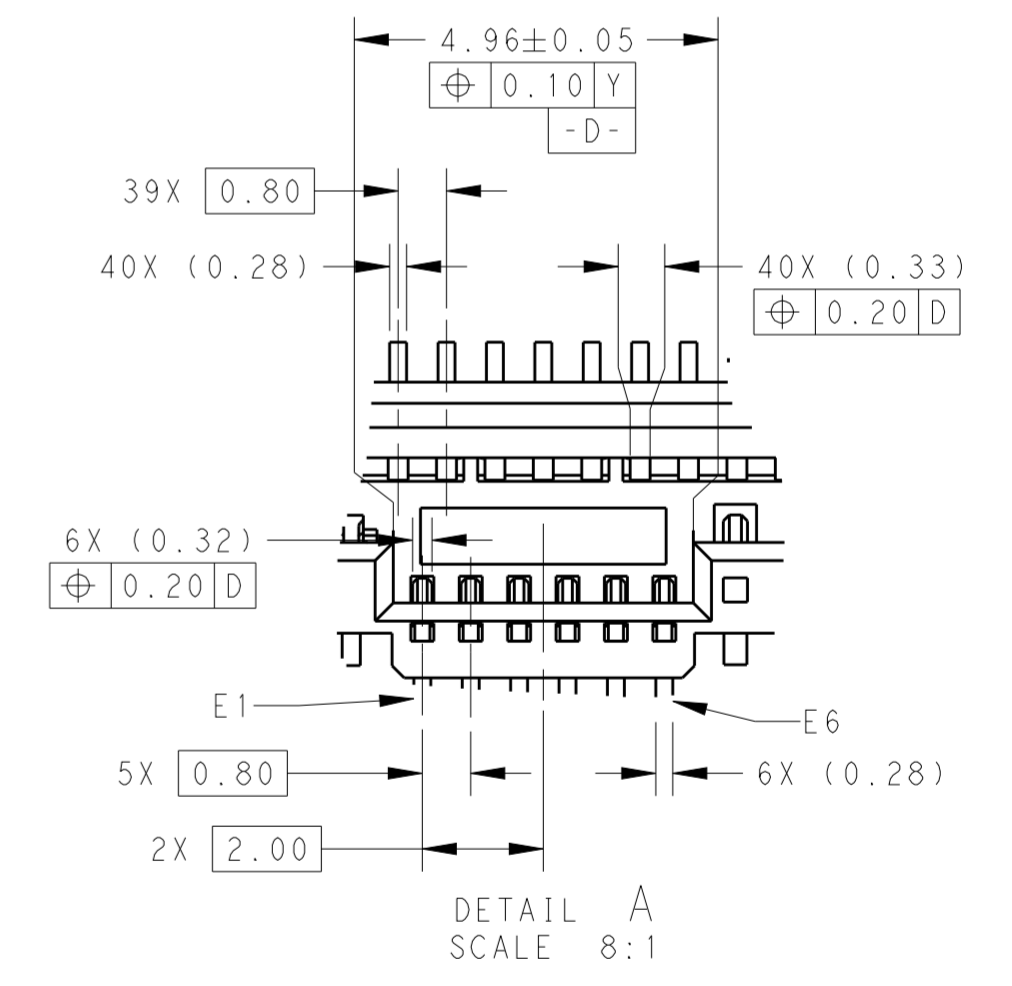
| LOC | | DIST | | REVISIONS | | | |
|-----|-----|-----------------------------|-----------|-----------|------|--|--|
| P | LTR | DESCRIPTION | DATE | DWN | APVD | | |
| 1 | | INITIAL RELEASE | 13JUN2019 | TX | DZ | | |
| 2 | | UPDATE THE VIEW | 20AUG2019 | TX | DZ | | |
| 3 | | CHANGE THE NAME PER REQUEST | 15MAY2019 | TX | DZ | | |
| 4 | | REVISED THE CAP SHAPE | 20SEP2019 | TX | DZ | | |



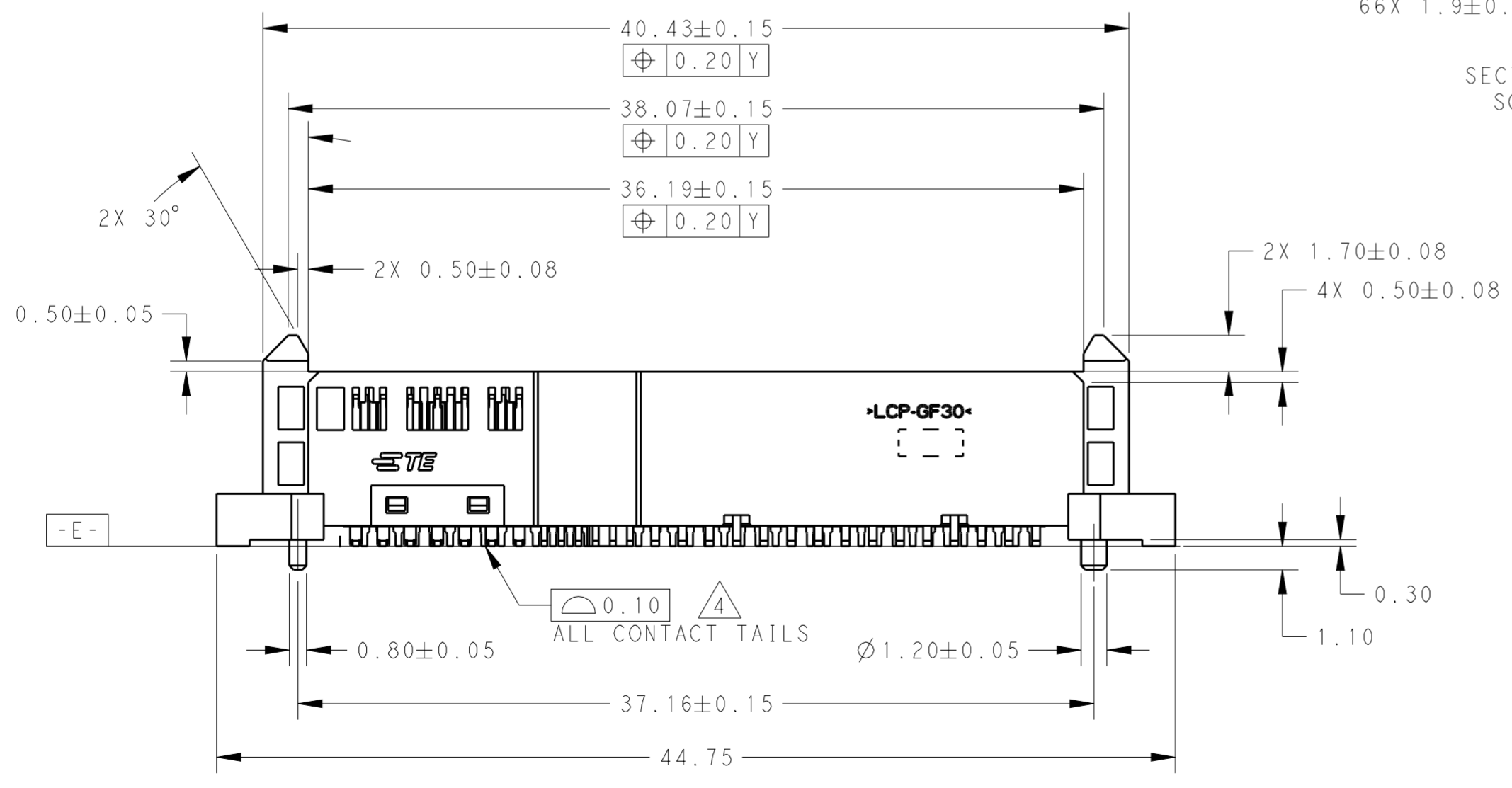
- NOTES:
- 1 MATERIAL:
HOUSING: HIGH TEMP THERMOPLASTIC, UL94V-0,
COLOR:BLACK
CONTACT: COPPER ALLOY
BOARDLOCK: COPPER ALLOY
 - 2 FINISH:
CONTACT AREA:
MIN 0.76µm GOLD PLATING
SOLDERTAIL: MIN 2.54µm MATTE TIN PLATING
UNDERPLATE: MIN 1.27µm NICKEL PLATING
 - 3 PIN #P4 AND #P12 ONLY
 - 4 SOLDERTAIL TO BE 0.05 MAX ABOVE AND 0.10 MAX BELOW DATUM E



SECTION H-H
SCALE 4:1



DETAIL A
SCALE 8:1

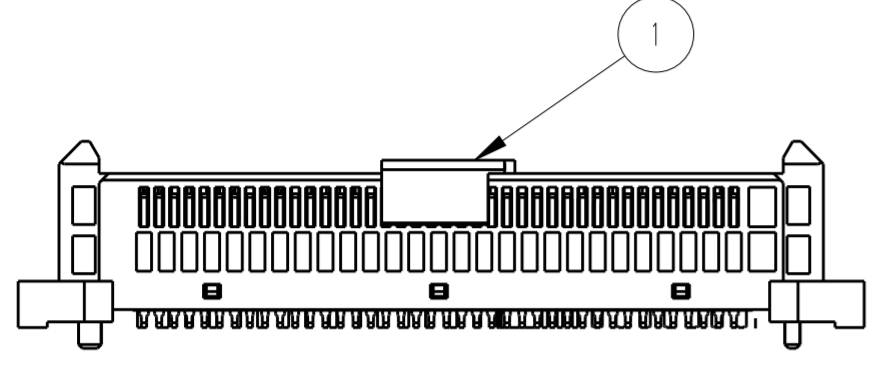
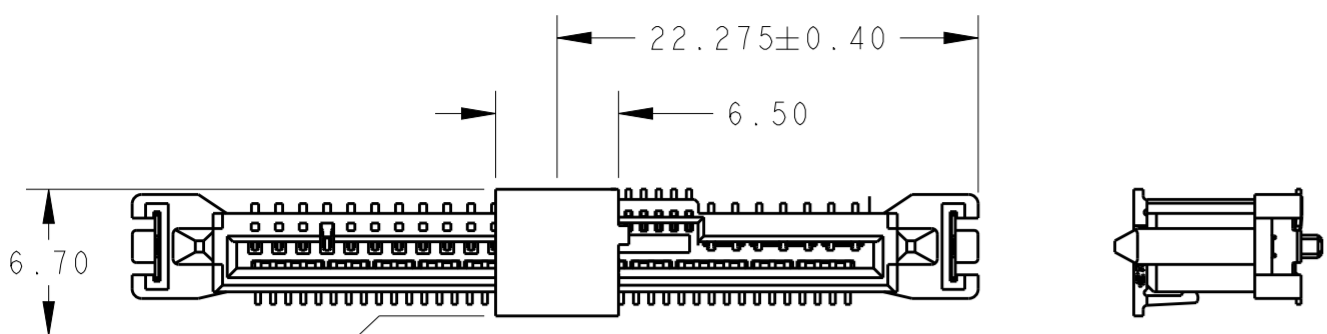


| | | |
|-------------|-----------------|-------------|
| TRAY | YES | 2354166-3 |
| TAPE & REEL | YES | 2354166-2 |
| TRAY | NO | 2354166-1 |
| PACKAGING | PICK-UP CAP (1) | PART NUMBER |

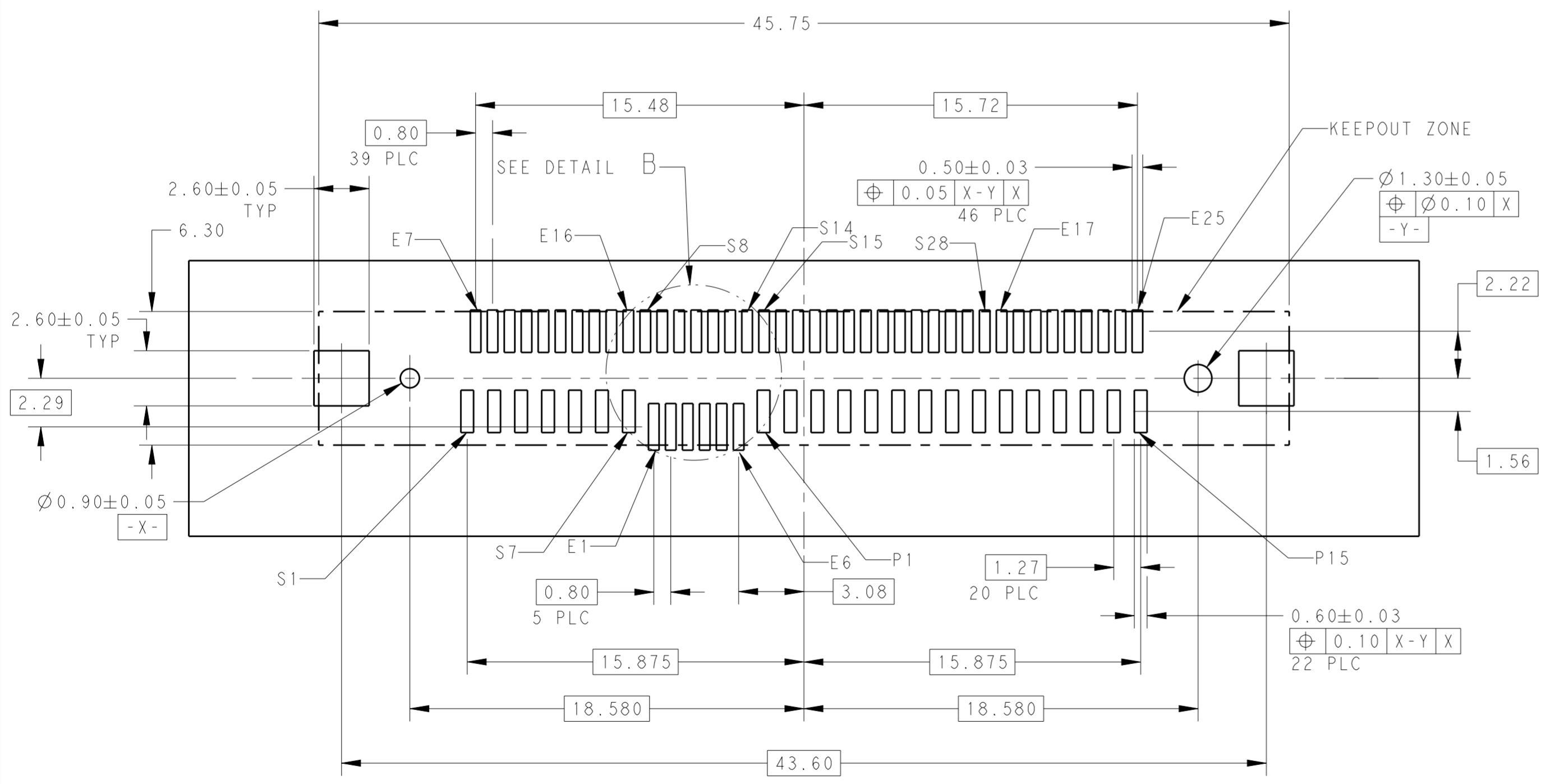
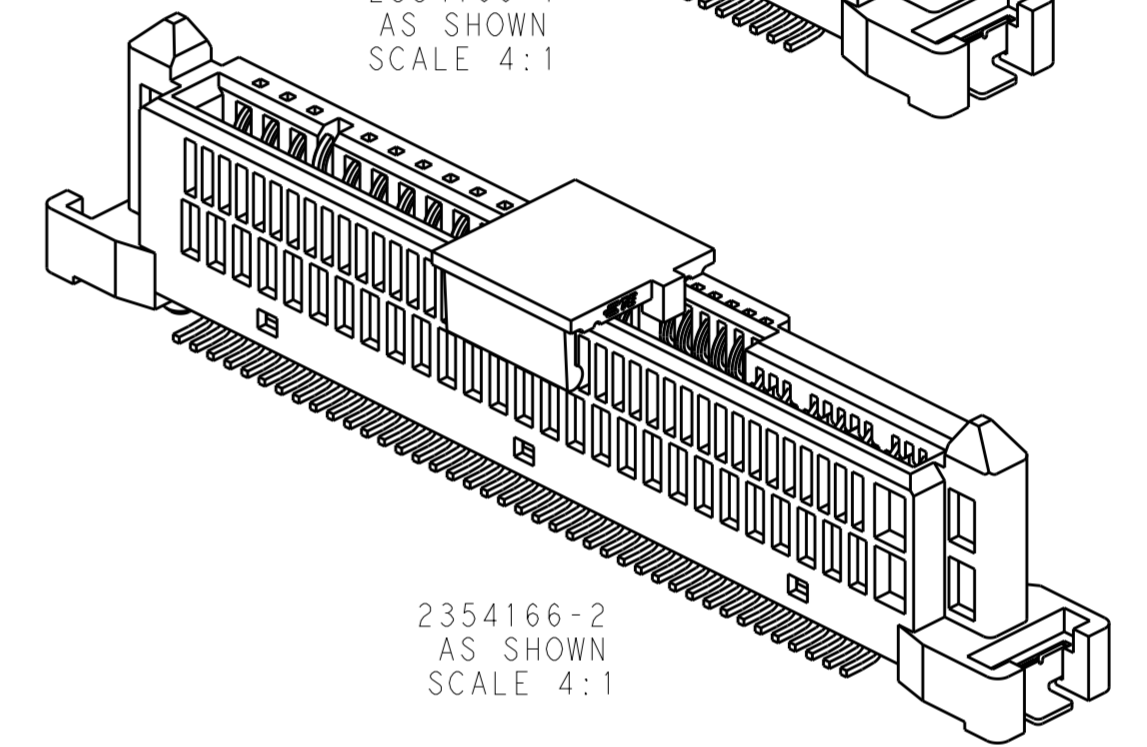
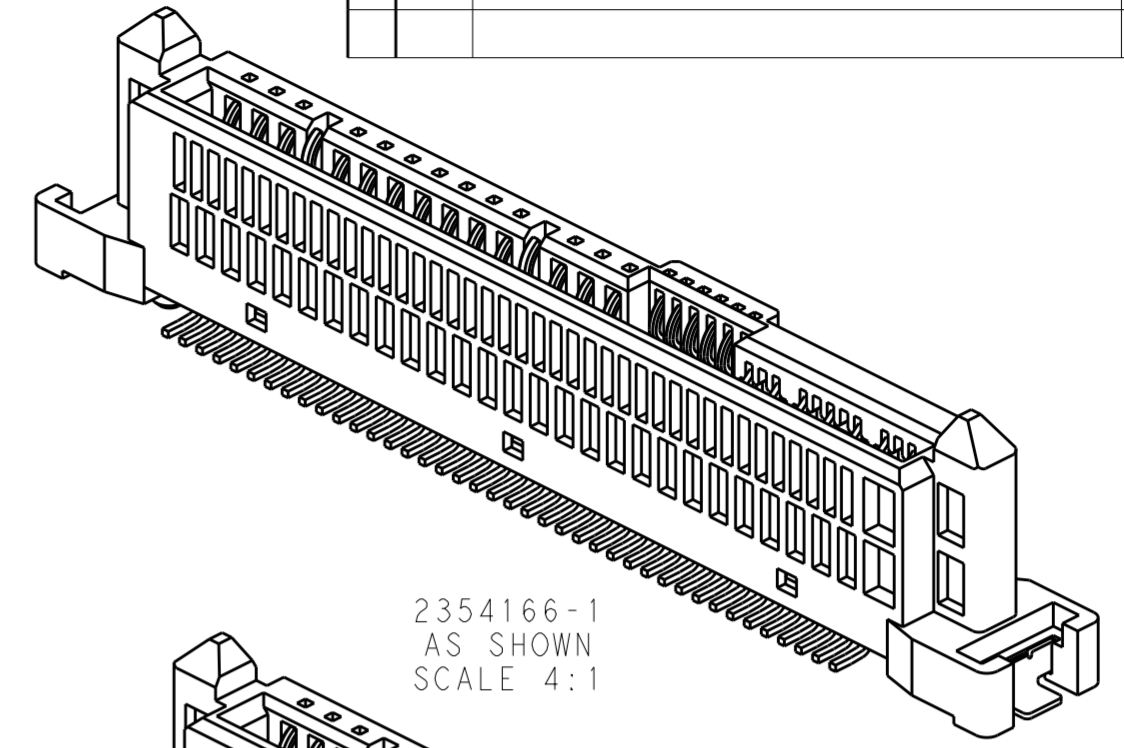
| | | | | | | | | | |
|---|--|------------------|--------------------------|-----------|---------------------|-----------|------------|---------------|-------|
| THIS DRAWING IS A CONTROLLED DOCUMENT. | | DWN | TIM XUE | 13JUN2019 | TE Connectivity | | | | |
| DIMENSIONS: mm | | CHK | DAVID ZHANG | 13JUN2019 | | | | | |
| TOLERANCES UNLESS OTHERWISE SPECIFIED: | | APVD | DAVID ZHANG | 13JUN2019 | | | | | |
| 0 PLC ± 1 PLC ±0.20 2 PLC ±0.20 3 PLC ±0.20 4 PLC ± ANGLES ±3° FINISH | | NAME | DAVID ZHANG | | | | | | |
| MATERIAL | | PRODUCT SPEC | SFF-8639 GEN4 RECEPTACLE | | | | | | |
| | | APPLICATION SPEC | SIZE | A200779 | CAGE CODE | C-2354166 | DRAWING NO | RESTRICTED TO | |
| | | WEIGHT | CUSTOMER DRAWING | | | SCALE | 2:1 | SHEET 1 OF 2 | REV 4 |

THIS DRAWING IS UNPUBLISHED. RELEASED FOR PUBLICATION 20
 © COPYRIGHT 20 BY - ALL RIGHTS RESERVED.

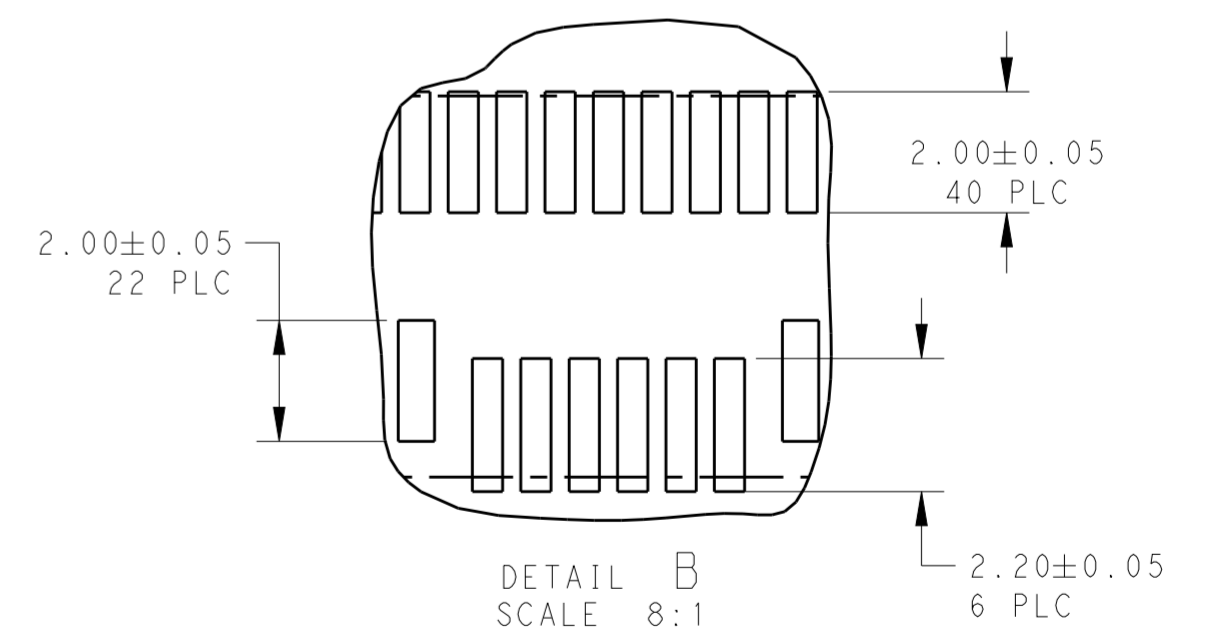
| LOC | DIST | REVISIONS | | | | |
|-----|------|-------------|------|-----|------|--|
| P | LTR | DESCRIPTION | DATE | DWN | APVD | |
| DY | - | SEE SHEET 1 | - | - | - | |



P/N: 2354166-2 AS SHOWN
 RECEPTACLE WITH PICK-UP CAP



RECOMMENDED RECEPTACLE BOARD LAYOUT
 SCALE 5:1



DETAIL B
 SCALE 8:1

| | | | | |
|--|--|------------------------------------|----------------------------------|-------------------------|
| THIS DRAWING IS A CONTROLLED DOCUMENT. | | DWN TIM XUE 13 JUN 2019 | TE Connectivity | |
| DIMENSIONS: mm | | CHK DAVID ZHANG 13 JUN 2019 | | |
| TOLERANCES UNLESS OTHERWISE SPECIFIED: | | APVD DAVID ZHANG 13 JUN 2019 | NAME SFF-8639 GEN4 RECEPTACLE | |
| 0 PLC ±- 1 PLC ±0.20 2 PLC ±0.20 3 PLC ±0.20 4 PLC ± ANGLES ±3° FINISH | | PRODUCT SPEC | SIZE A200779 | DRAWING NO C-2354166 |
| MATERIAL | | APPLICATION SPEC | RESTRICTED TO | |
| | | WEIGHT | SCALE 2:1 | SHEET 2 OF 2 |
| | | CUSTOMER DRAWING | REV 4 | |