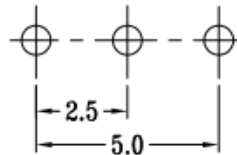
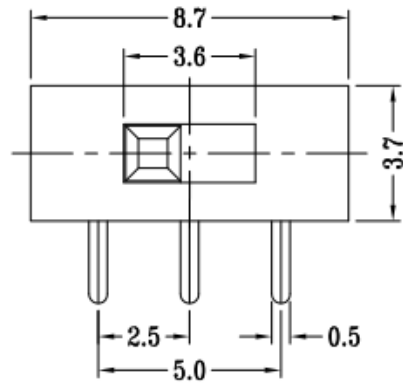


G=2~9MM



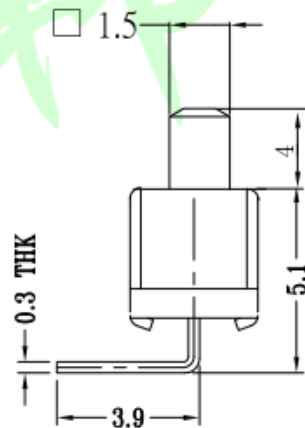
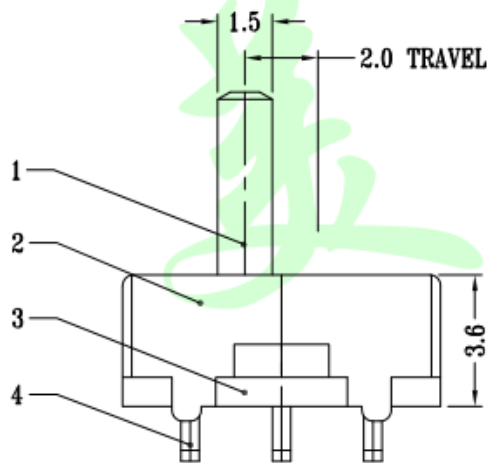
P.C.B LAYOUT
BOTTOM VIEW

SPECIFICATIONS

Rating	0.3A 50V DC
FUNCTION	1P2T
Contact Resistance	200mΩ Max.
Insulation Resistance	100MΩ Min.
Operating Force	200gf ± 80gf
Operating Life	10,000 cycle



SCHEMATIC



NO.	PARTS	MATERIALS	QTY	FINISH
5	CONTACT CLIP	PBS STRIP	1	Ag PLATED
4	TERMINAL	BRASS	3	Ag PLATED
3	BASE	PHENOLIC RESIN	1	NATURAL
2	FRAME	STEEL STRIP	1	Ni PLATED
1	KNOB	POM	1	BLACK

>0.5~2	± 0.05	± 0.10	± 0.15
>2~5	± 0.15	± 0.20	± 0.25
>5~10	± 0.25	± 0.28	± 0.30
角度 ANGLE	± 0.5°		
未注尺寸公差 (mm)			

第一视角



设计 Jack Jin	图面 单位 MM	A4
审核 Jacky Zhong	比例 重量	
批准 Tony Meng	页码 版次	1/1 A/O

东莞市美韩电子科技有限公司 Dongguan Usakro Electronic Technology Co., Ltd.			
1 : 1	DWG NO.	型号: SS-12D03-G4	SIZE A4
1 of 1	PART NO.	规格: 8.7*3.7*3.6 1P2T	VER R