

IP179N/H Integrated 9 PHYceivers Ethernet Switch (Advanced Switching Engine, LBAS® and 3.3/2.5/1.8V RGMII)

Features

- Family (Part Numbers)
 - IP179N (88Pins MQFN)
 - 9 FE ports
 - 8 FE ports + 1 MAC w/ 1RMII
 - IP179H (128Pins LQFP)
 - 8 FE ports + 1 Giga MAC + 1 FE PHYceiver w/ 1RMII
- Advanced Ethernet Switching Engine support
 - 2 operation modes
 - Normal Mode (Default)
 - IPC Mode
- MAC address up to 2K
- Built in 9 port PHYceivers
- Each port can be configured to be 10Based-T, 100Base-TX
- Support IEEE802.3az at 100M Full Duplex
- Support Auto MDI-MDIX
- Support up to 3 optional Fiber ports
- IEEE802.1Q VLAN
 - Support 16 VLAN groups
 - Support Port-based/tagged-based VLAN
 - Support SVL/IVL
 - Support Insert and Remove Tag
- Class of Service
 - Port based, VLAN priority, IPv4 ToS, IPv6 DSCP
- QoS
 - Support 2-level priority queues per port WRR/SP
- Support Hardware IGMP v1/v2/v3 snooping
- Support STP, RSTP and MSTP
- Support Loop Detection
- Support LBAS® (Length/Link Based Auto Switch)
- Broadcast Storm Protection
- Support Special Tag and QinQ header
- Support Port Trunking (Link Aggregation)
- Support Port Mirror
- Power Management
 - Support APS (Auto Power Saving Mode) while Link-off
 - Support IEEE802.3az protocol based power saving
- RGMII supports down to 1.8V
- Support Statistics Counters
- Support Interrupt Pin
- 85nm Process

General Description

The IP179N/H is a professional high-end SoC targeted for the Ethernet switch (w/ or w/o POE chips) or NVR application. This SoC is built in with an advanced switch engine, aiming to provide high-quality imagery output. Other built-in IPs, included a low power 9-port fast Ethernet transceivers, SSRAM, regulator, ESD protection and etc.

The built-in transceivers, all complies with the IEEE802.3, IEEE802.3u, and IEEE802.3x specifications. These transceivers were designed under DSP approach and produced with 85nm technology, hence the high noise immunity and robust performance.

The switch controller of IP179N/H is designed to operate under store and forward mode.

It supports up to 2K MAC addresses. These tables are accessible through MII register. The address table can configure either “2K unicast addresses” or “1K unicast addresses and 1K multicast addresses”. Rich control and management features supported, included Loop Detection, IEEE 802.1Q, IGMP Snooping, QoS and etc.

As an advanced Ethernet Switch controller, IP179N/H supports 2 operation modes to serve different application requirements precisely, Normal mode (Best quality for the down/up-load stream both) and IPC mode (Best efforts for the upload stream data).

Beside this, considering the distance problem that could be generated while installing a far away (> 100meters) IP CAM to link with the Switch device. IP179N/H supports the LBAS function to handle/fix this situation.

All of the functions that described above, an external MAC/CPU can monitor or configure them by accessing MII registers through MDC/MDIO that IP179N/H supported.

Table of Contents

Features.....	1
General Description.....	1
Table of Contents.....	2
Revision History.....	5
Disclaimer.....	5
1 Pin Diagram.....	6
1.1 IP179N Pin Diagram (MQFN88).....	6
1.2 IP179H Pin Diagram (LQFP128).....	7
2 Application Diagram.....	8
3 Pin Description.....	10
3.1 LDO Regulator.....	10
3.2 MDI (Media Dependent Interface).....	10
3.3 System Clock & Reset Pins.....	11
3.4 Test Mode.....	11
3.5 EEPROM Interface / Serial Management Interface (SMI).....	12
3.6 Function Pins.....	12
3.7 External MII0 Interface.....	13
3.8 External MII1 Interface (IP179H Only).....	14
3.9 LED.....	15
3.10 Miscellaneous.....	15
3.11 Power & Ground.....	15
4 Function Description.....	17
4.1 Switch Engine and Queue Management.....	17
4.1.1 Switch Engine.....	17
4.1.2 Packet Forwarding.....	17
4.1.3 Flow control.....	17
4.1.4 Backpressure.....	17
4.2 LBAS (Length/Link Based Auto Switch).....	17
4.3 External MII.....	19
4.3.1 The Application Circuit of RGMII.....	19
4.3.2 The Application Circuit of MII.....	20
4.3.3 The Application Circuit of RMII.....	21
4.4 Virtual LAN (VLAN).....	22
4.4.1 Port-based VLAN.....	22
4.4.2 Tag-based VLAN.....	22
4.4.3 VLAN Ingress Filtering.....	22
4.4.4 Shared and Independent VLAN Learning.....	22
4.4.5 The determination of the requirement to insert or remove tag.....	23
4.5 Quality of Service (QoS).....	24
4.6 IGMP Snooping.....	24
4.7 MAC Address Table.....	24
4.7.1 Entry Content.....	25
4.7.2 Accessing MAC Table.....	25
4.7.3 Address Aging.....	25
4.8 Link Aggregation.....	26
4.9 Loop detection.....	26
4.10 LED hardware loop detection indication.....	26
4.11 Port Mirror.....	27
4.12 Broadcast Storm Protection.....	27
4.13 Reserved MAC Address.....	27
4.14 Statistic Counters.....	27
4.15 Green Power.....	28

4.15.1	Auto Power Saving Mode.....	28
4.15.2	IEEE802.3az EEE (Energy Efficient Ethernet).....	28
4.16	Serial Management Interface.....	29
4.17	EEPROM Interface.....	30
4.18	LED display (normal operation).....	32
4.19	Serial LED Mode.....	32
4.19.1	Supports Link LED Only.....	32
4.19.2	Supports Link, Speed, and Duplex LED.....	33
4.20	LED Blink Timing.....	33
4.21	Fiber Port Configuration.....	34
5	PHY Register.....	35
5.1	PHY Register Map.....	35
5.2	MII Register.....	36
5.2.1	MII Register 0.....	36
5.2.2	MII Register 1.....	37
5.2.3	MII Register 2.....	39
5.2.4	MII Register 3.....	39
5.2.5	MII Register 4.....	40
5.2.6	MII Register 5.....	41
5.2.7	MII Register 6.....	42
5.2.8	MII Register 7.....	42
5.2.9	MII Register 8.....	43
5.2.10	MII Register 16.....	43
5.2.11	MII Register 18.....	43
5.3	MMD Control Register.....	44
5.4	MMD Data Register.....	45
5.5	LED Mode Control Register.....	48
5.6	WOL+ Control Register.....	49
5.7	Page Mode Control Register.....	50
6	Switch Register Descriptions.....	51
6.1	Switch Register Map.....	51
6.2	Switch Control Register.....	54
6.2.1	Software Reset.....	54
6.2.2	Switch Basic Registers 0.....	54
6.2.3	Switch Basic Registers 1.....	55
6.2.4	Switch Basic Registers 2.....	55
6.2.5	Learn & Forward Enable Register.....	56
6.3	QoS.....	57
6.4	Debug Register.....	57
6.4.1	Test Mode Register for Debug.....	57
6.4.2	MII Loopback for Debug.....	57
6.5	IGMP Control Registers.....	58
6.5.1	Base Control Registers.....	58
6.5.2	Router Port Timeout.....	59
6.5.3	Group Port Timeout.....	59
6.6	Aging Time Registers.....	60
6.7	Loop Detection Registers.....	61
6.8	Address Table Accessing Registers.....	62
6.8.1	Command Registers.....	62
6.8.2	Data Registers.....	62
6.8.3	IGMP Data Registers.....	63
6.9	Port Trunk Registers.....	63
6.9.1	Trunk Groups.....	63
6.9.2	Trunk Table.....	63

6.10	Port Mirror Registers	64
6.11	Reserved MAC Registers.....	64
6.12	Broadcast Storm Protection	66
6.13	Statistics Counters Registers	66
6.14	VLAN Registers.....	67
6.14.1	VLAN Classification.....	67
6.14.2	VLAN Ingress Rule.....	67
6.14.3	VLAN Egress Rule	67
6.14.4	Default VLAN Information	68
6.14.5	VLAN Entry.....	68
6.14.6	Port-Based VLAN – Forward Mask.....	69
6.14.7	Port-Based VLAN – Add Tag Mask	71
6.14.8	Port-Based VLAN – Remove Tag Mask.....	71
6.14.9	Tagged-Based VLAN – Identifier Register	72
6.14.10	Tagged-Based VLAN – Add Tag Control Register	73
6.14.11	Tagged-Based VLAN – Remove Tag Control Register	75
6.14.12	Tagged-Based VLAN – VLAN Member Register	77
6.15	EEE Registers.....	79
6.16	RGMII Driving Capability Registers.....	80
6.17	Miscellaneous.....	81
6.18	PHY Address	81
6.19	External PHY Register	82
6.19.1	External PHY Control Register 0.....	82
6.19.2	External PHY Control Register 1.....	83
6.20	EEPROM Segment	84
7	Crystal Specifications	85
8	Electrical Characteristics.....	86
8.1	Absolute Maximum Rating	86
8.2	DC Characteristic	86
8.3	AC Timing.....	88
8.3.1	Power On Sequence and Reset Timing.....	88
8.3.2	PHY Mode MII Timing	89
8.3.3	MAC Mode MII Timing.....	90
8.3.4	RMII Timing	91
8.3.5	Single PHY RMII Timing.....	92
8.3.6	RGMII Timing	93
8.3.7	SMI Timing	94
8.3.8	EEPROM Timing.....	98
8.4	Thermal Data.....	99
9	Order Information	99
10	Package Detail	100

Revision History

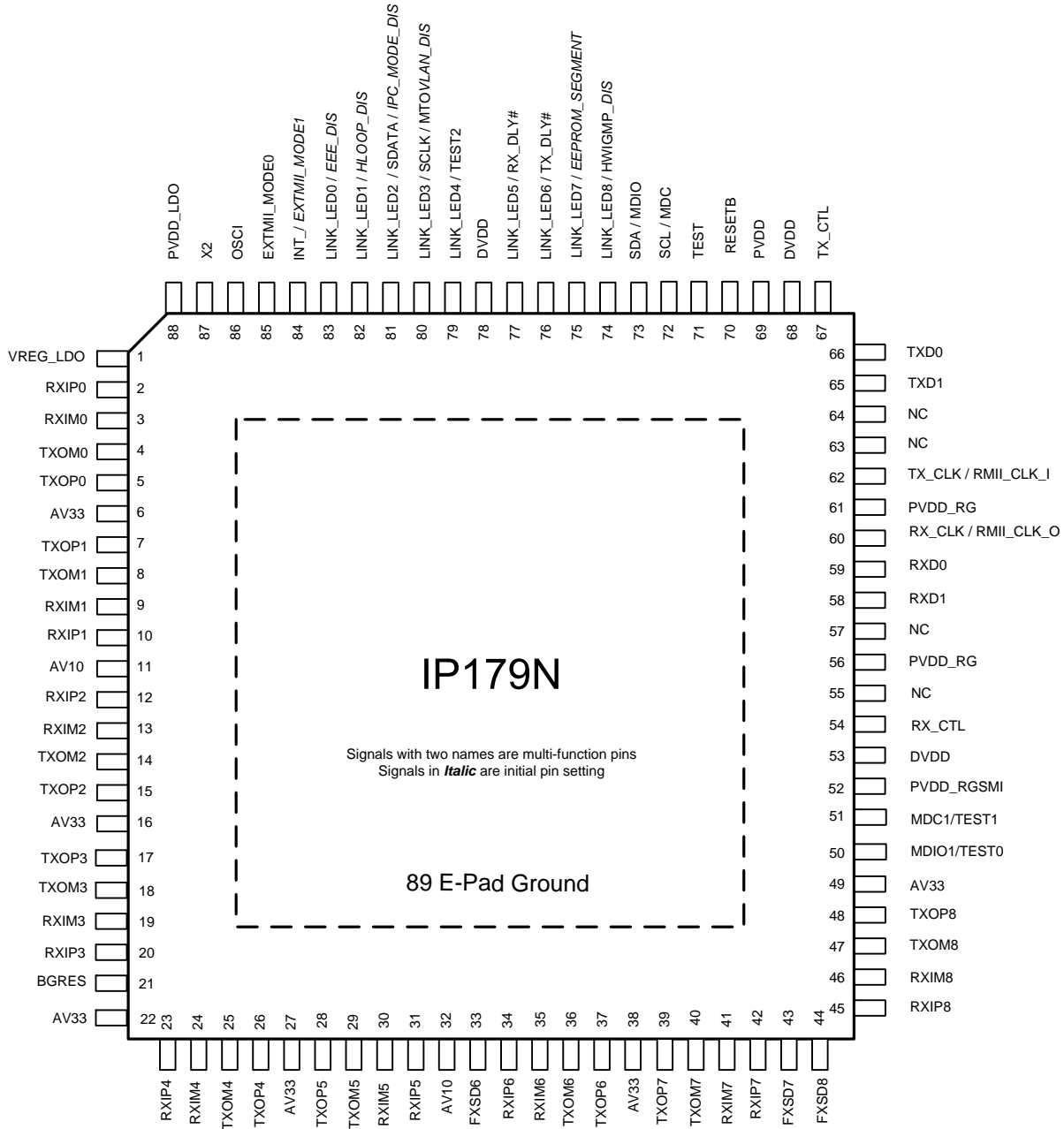
Revision #	Change Description
IP179M/N/H-DS-R01	Initial release
IP179M/N/H-DS-R02	1. Modify the default value of registers. 2. Modify the IP179N/H Pin diagrams.
IP179N/H-DS-R03	Remove IP179M model and related information.

Disclaimer

This document probably contains the inaccurate data or typographic error. In order to keep this document correct, IC Plus reserves the right to change or improve the content of this document.

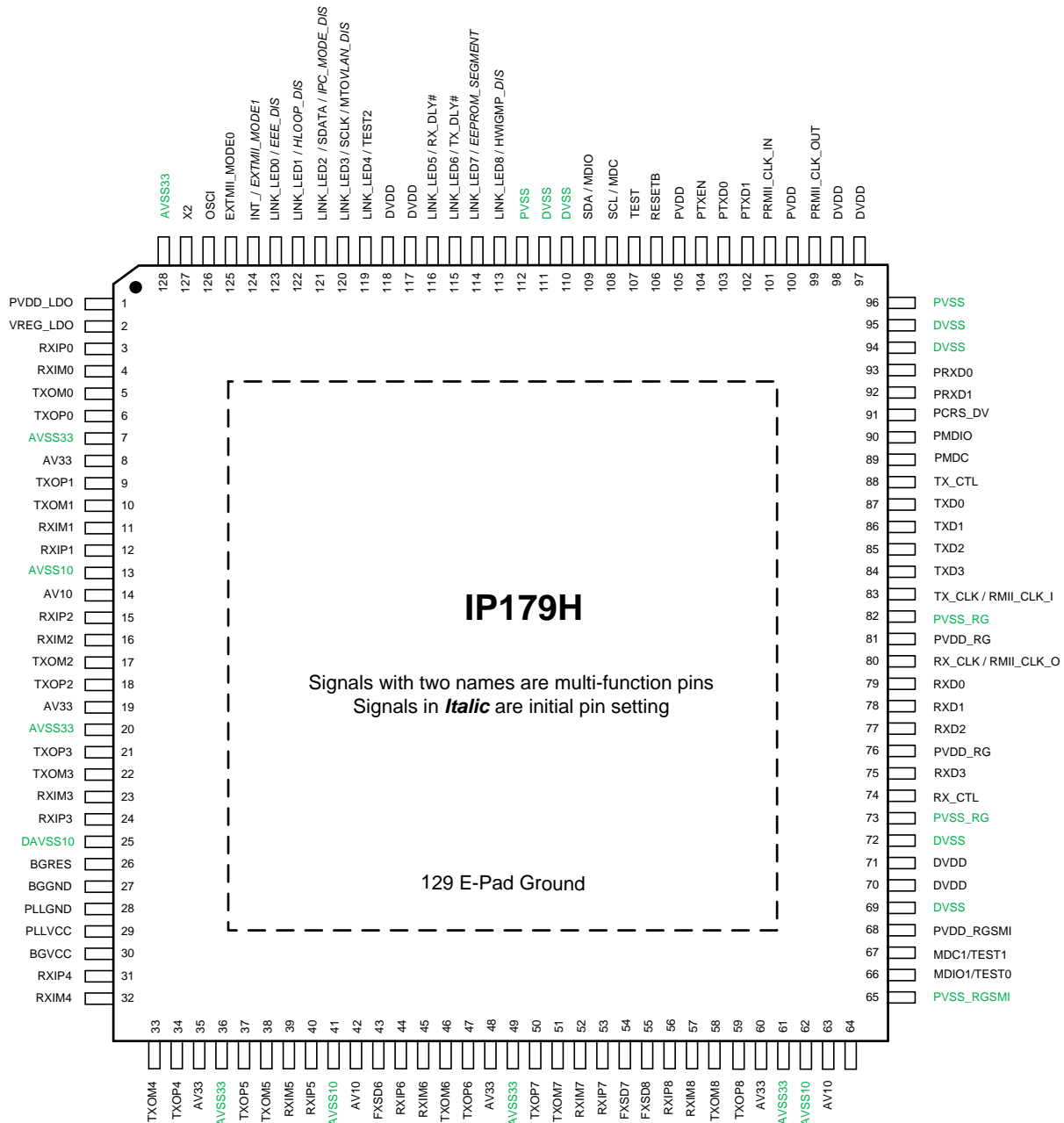
1 Pin Diagram

1.1 IP179N Pin Diagram (MQFN88)



Exposed pad (pad 89) is system GND, must be soldered to PCB ground plane
Figure 1. Pin Diagram (IP179N)

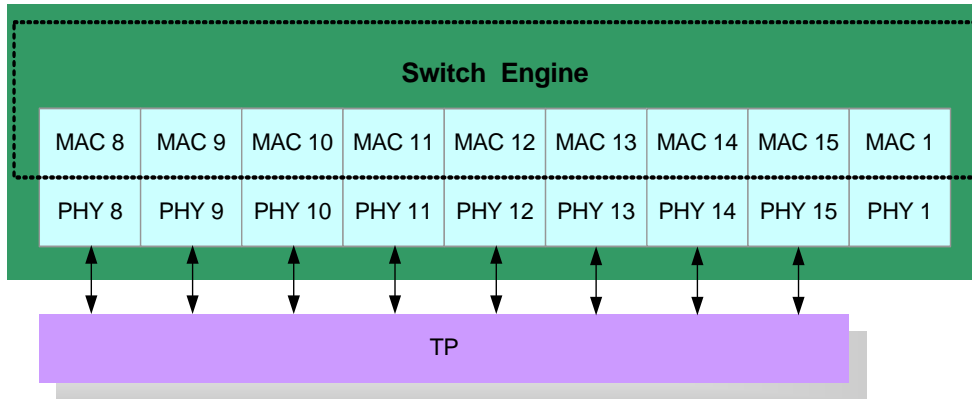
1.2 IP179H Pin Diagram (LQFP128)



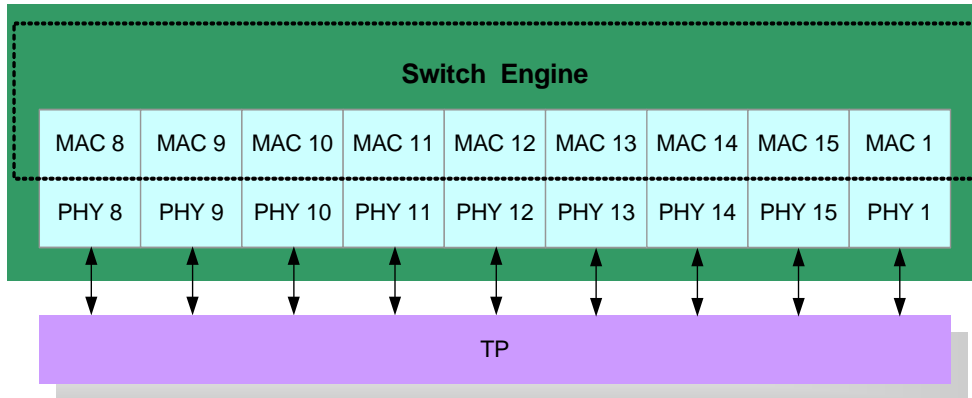
Exposed pad (pad 129) is system GND, must be soldered to PCB ground plane
Figure 2. Pin Diagram (IP179H)

2 Application Diagram

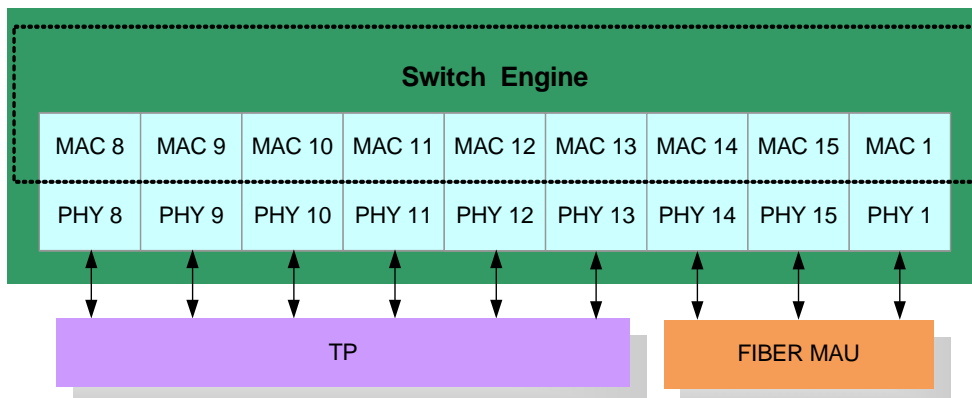
IP179N, 8 FE-TP Ports Switch



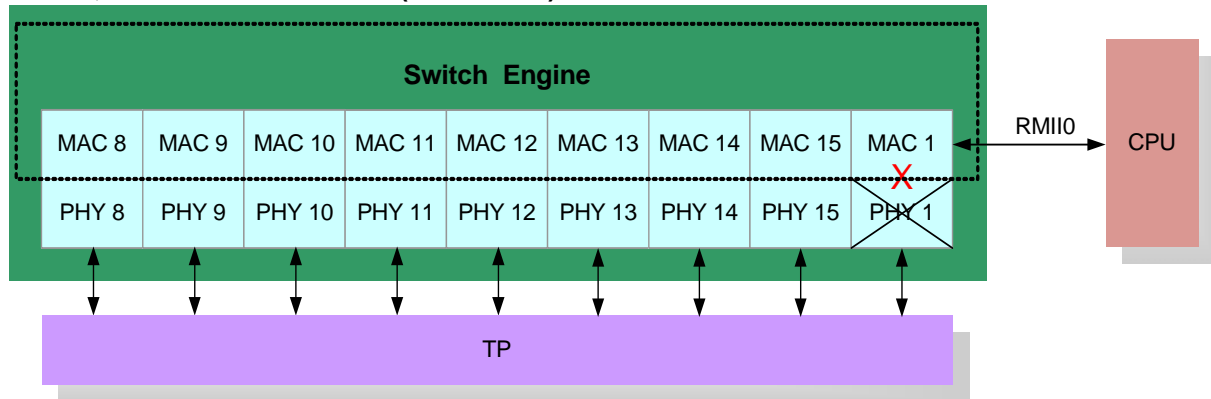
IP179N, 9 FE-TP Ports Switch



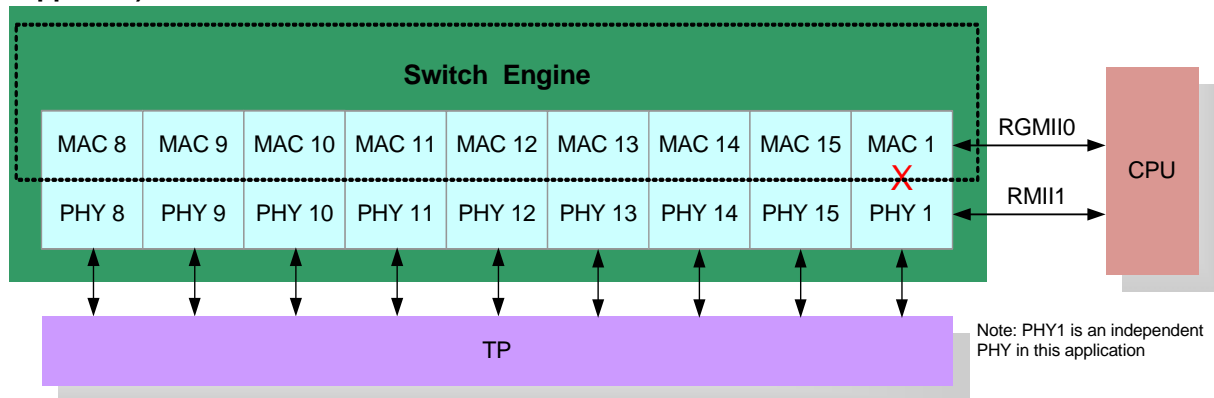
IP179N, 6 FE-TP Ports + 3 FE-Fiber Ports Switch



IP179N, 8 FE-TP Ports + 1 RMII (+MAC/CPU)



IP179H, 8 FE-TP Ports + 1 RGMII/MII/RMII (+MAC1/CPU) + 1 FE-PHY (+MAC2/CPU, If CPU supported)



Note: PHY1 is an independent PHY in this application

3 Pin Description

Type	Description	Type	Description
I	Input pin	IPL	Input pin with internal pull low 100K ohm
O	Output pin	IPH	Input pin with internal pull high 200K ohm
P	Power or Ground		

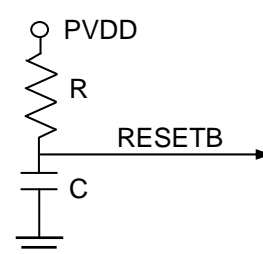
3.1 LDO Regulator

Pin No.		Label	Type	Description
IP179N	IP179H			
1	2	VREG_LDO	P	LDO regulator output It is an output power pin for 1.1V power source.
88	1	PVDD_LDO	P	LDO regulator input It is an input power pin for reference voltage.

3.2 MDI (Media Dependent Interface)

Pin No.		Label	Type	Description
IP179N	IP179H			
2, 3 10, 9 12, 13 20, 19 23, 24 31, 30 34, 35 42, 41 45, 46	3, 4 12, 11 15, 16 24, 23 31, 32 40, 39 44, 45 53, 52 56, 57	RXIP0, RXIM0 RXIP1, RXIM1 RXIP2, RXIM2 RXIP3, RXIM3 RXIP4, RXIM4 RXIP5, RXIM5 RXIP6, RXIM6 RXIP7, RXIM7 RXIP8, RXIM8	I/O	TP receive
5, 4 7, 8 15, 14 17, 18 26, 25 28, 29 37, 36 39, 40 48, 47	6, 5 9, 10 18, 17 21, 22 34, 33 37, 38 47, 46 50, 51 59, 58	TXOP0, TXOM0 TXOP1, TXOM1 TXOP2, TXOM2 TXOP3, TXOM3 TXOP4, TXOM4 TXOP5, TXOM5 TXOP6, TXOM6 TXOP7, TXOM7 TXOP8, TXOM8	I/O	TP transmit
33 43 44	43 54 55	FXSD6 FXSD7 FXSD8	I	Fiber signal detection of port 6,7,8 Port 6,7,8 can be configured to be either a TP port or a Fiber port with this pin. Connect this pin to GND for TP mode, and do not left this pin floating. Please refer to the paragraph "I/O Electrical Characteristics" for more detail information. In IP179N/H these pins should be connected to ground.
21	26	BGRES	O	Band gap resistor. It is connected GND through a precision resistor (R=6.19K, 1%) for band gap reference. Please refer to application circuit for more information.

3.3 System Clock & Reset Pins

Pin No.		Label	Type	Description
IP179N	IP179H			
86	126	OSCI	I	<p>25MHz system clock input</p> <p>It is recommended to connect OSCI and X2 to a 25MHz crystal.</p> <p>If the clock source is from another chip or oscillator, the clock should be active at least for 10ms before RESETB de-asserted.</p> <p>X2 should be left open in this application.</p>
87	127	X2	O	<p>Crystal pin</p> <p>A 25Mhz crystal can be connected to OSCI and X2.</p>
70	106	RESETB	IPH	<p>Reset</p> <p>It is a low active input pad with Schmitt trigger. The reset time must be hold for more than 10 ms. If an R/C reset circuit is used; the capacitor should be connected to GND as shown in the figure.</p> 

3.4 Test Mode

Pin No.		Label	Type	Description
IP179N	IP179H			
71	107	TEST	IPL	<p>Test mode enable</p> <p>It should be connected to GND for normal operation</p>
50	66	TEST0	IPH	<p>Test0</p> <p>Only for Test mode</p>
51	67	TEST1	IPL	<p>Test1</p> <p>Only for Test mode</p>
79	119	TEST2	IPH	<p>Test2</p> <p>Only for Test mode.</p>

3.5 EEPROM Interface / Serial Management Interface (SMI)

Pin No.		Label	Type	Description
IP179N	IP179H			
EEPROM (only 24C02~16 supported)				
72	108	SCL/MDC	IPL/I	After reset, it is used as clock pin SCL of EEPROM. Its period is longer than 10us. IP179N/H stops reading EEPROM if it finds there is no 0x55AA pattern in address 0. After reading EEPROM, this pin will switch to SMI mode MDC input.
73	109	SDA/MDIO	IPH, I/O	After reset, it is used as data pin SDA of EEPROM. A bi-directional multi-drop bus for accessing the internal registers. It's recommended to add a 4.7K pull up resistor connecting to PVDD and a 30pf capacitor connecting to ground. After reading EEPROM, this pin will switch to SMI mode MDIO for read/write internal register.
51	67	MDC1	IPL/O	Used for periodically polling the status of external PHY
50	66	MDIO1	IPH, I/O	Used for periodically polling the status of external PHY

3.6 Function Pins

Pin No.		Label	Type	Description
IP179N	IP179H			
85 84	125 124	EXTMII_MODE 0 EXTMII_MODE 1	IPH I/O	External MII mode select EXTMII_MODE[1:0] 0x0 : Disable (IP179N/H) 0x1 : RMII (IP179N/H) 0x2 : MII (IP179H) 0x3 : RGMII (IP179H)
83	123	EEE_DIS	IPH, I/O	Disable IEEE 802.3az Energy Efficient Ethernet feature
82	122	HLOOP_DIS	IPH, I/O	Disable Loop detection feature
81	121	IPC_MODE_D IS	IPH, I/O	Disable IPCAM mode feature
80	120	MTOVLAN_DIS	IPH, I/O	Disable many-to-one VLAN setting Port0 to Port7 are isolated from each other and only communicate with Port8.
77	116	RX_DLY#	IPH, I/O	RX_CLK delay 2ns
76	115	TX_DLY#	IPH, I/O	TX_CLK delay 2ns

Pin No.		Label	Type	Description
IP179N	IP179H			
75	114	EEPROM_SEGMENT	IPH, I/O	EEPROM segment
74	113	HWIGMP_DIS	IPH, I/O	Disable IGMP feature

3.7 External MII0 Interface

Pin No.		Label	Type	Description
IP179N	IP179H			
External MII0 Interface (RGMII/MII/RMII)				
62	83	TX_CLK/ RMII_CLK_I	I/O	<p>RGMII transmit clock / MII transmit clock / RMII reference clock input</p> <ol style="list-style-type: none"> RGMII mode (IP179H): clock input pin 1000Mbps : 125MHz 100Mbps : 25MHz 10Mbps : 2.5MHz RMII mode (IP179N/H): clock input pin Clock : 50MHz MII mode (IP179H, MAC mode) : clock input pin 100Mbps : 25MHz 10Mbps : 2.5MHz MII mode (IP179H, PHY mode): clock output pin 100Mbps : 25MHz 10Mbps : 2.5MHz
67	88	TX_CTL	I	<p>RGMII transmit control / MII transmit enable / RMII transmit enable</p> <p>RGMII: TX_CTL indicates a TX_EN at the rising edge of TX_CLK. TX_ER is derived from the logical operation of latched "TX_EN" and the value at the falling edge of TX_CLK.</p>
-	87 86 85 84	TXD0 TXD1 TXD2 TXD3	I	RGMII transmit data / MII transmit data / RMII transmit data
66 65	-	TXD0 TXD1	I	RMII transmit data

60	80	RX_CLK/ RMII_CLK_O	I/O	<p>RGMII receive clock / MII receive clock / RMII reference clock output</p> <p>1. RGMII mode (IP179H): clock output pin 1000Mbps : 125MHz 100Mbps : 25MHz 10Mbps : 2.5MHz</p> <p>2. RMII mode (IP179N/H): clock output pin Clock : 50MHz</p> <p>3. MII mode (IP179H, MAC mode): clock input pin 100Mbps : 25MHz 10Mbps : 2.5MHz</p> <p>4. MII mode (IP179H, PHY mode): clock output pin 100Mbps : 25MHz 10Mbps : 2.5MHz</p>
54	74	RX_CTL	O	<p>RGMII receive control / MII receive data valid / RMII receive data valid</p> <p>RGMII: RX_CTL indicates RX_DV at the rising edge of RX_CLK. RX_ER is derived from the logical operation of latched RX_DV and the value at the falling edge of RX_CLK.</p>
-	79 78 77 75	RXD0 RXD1 RXD2 RXD3	O	<p>RGMII receive data / MII receive data / RMII receive data</p> <p>RGMII: IP179N/H sends out RXD [3:0] and RX_CTL at both the rising edge and falling edge of RXCLK.</p>
59 58	-	RXD0 RXD1	O	RMII receive data

3.8 External MII1 Interface (IP179H Only)

Pin No.	Label	Type	Description
External MII1 Interface (RMII)			
101	PRMII_CLK_IN	I	50Mhz RMII reference clock input
99	PRMII_CLK_OUT	O	A 50Mhz reference clock output for other RMII devices
104	PTXEN	I	RMII transmit enable
103 102	PTXD0 PTXD1	I	RMII transmit data
91	PCRS_DV	O	RMII carrier sense/receive data valid
93 92	PRXD0 PRXD1	O	RMII receive data
89	PMDC	I	It provides for periodically polling the status of PHY1
90	PMDIO	I/O	It provides for periodically polling the status of PHY1

3.9 LED

Pin No.		Label	Type	Description
IP179N	IP179H			
LED				
83	123	LINK_LED0	IPH/O	LINK LED It should be connected to PVDD through a LED and resistor.
82	122	LINK_LED1		
81	121	LINK_LED2		
80	120	LINK_LED3		
79	119	LINK_LED4		
77	116	LINK_LED5		
76	115	LINK_LED6		
75	114	LINK_LED7		
74	113	LINK_LED8		
Serial LED				
81	121	SDATA	IPH/O	LED serial data
80	120	SCLK	PH/O	LED serial clock It is a 312.5KHz clock.

3.10 Miscellaneous

Pin No.		Label	Type	Description
IP179N	IP179H			
84	124	INT_	I	Interrupt pin MII Register 20.2[9:8] can select interrupt event

3.11 Power & Ground

Pin No.		Label	Type	Description
IP179N	IP179H			
-	30	BGVCC	P	3.3V Band gap power
-	27	BGGND	P	Band gap ground
-	29	PLLVCC	P	3.3V PLL power
-	28	PLLGND	P	PLL ground
11, 32	14, 42, 63	AV10	P	1V analog power These pins must be connect to VREG_LDO via a resister or bead, do not connect to external power supply.
-	13,41,62 25	AVSS10, DAVSS10	P	1V analog ground
6, 16 22, 27 38, 49	8, 19 35, 48 60	AV33	P	3.3V analog power
-	7, 20 36, 49 61,128	AVSS33	P	3.3V analog ground

Pin No.		Label	Type	Description
IP179N	IP179H			
53, 68 78	70, 71 97, 98 117, 118	DVDD	P	1V digital core power These pins must be connect to VREG_LDO via a resistor or bead, do not connect to external power supply.
-	69, 72 94, 95 110, 111	DVSS	P	1V digital ground
69	105, 100	PVDD	P	3.3V digital pad power
-	96, 112	PVSS	P	3.3V digital pad ground
56, 61	76, 81	PVDD_RG	P	3.3V MII0 power
-	73, 82	PVSS_RG	P	3.3V MII0 ground
52	68	PVDD_RGSMI	P	3.3V SMI1 power
-	65	PVSS_RGSMI	P	3.3V SMI1 ground
89	129	E-pad GND	P	Exposed pad for system ground, must be soldered to PCB ground plane

4 Function Description

4.1 Switch Engine and Queue Management

4.1.1 Switch Engine

IP179N/H integrates an 8+1G switch controller, SSRAM, and 9 10/100 Ethernet transceivers. Each of the transceivers complies with the IEEE 802.3, IEEE 802.3u, and IEEE 802.3x specifications. IP179N/H offers all the rich features of a high-speed broadband wire Internet services including non-blocking switch fabric. Except the normal operation mode, IP179N/H offers an IPC mode to serve the extreme heavy upload stream application (ex. Extreme high definition IP CAM). This function could be enabled by the strapped pin (IP179N Pin 81 or IP179H Pin121) with a pull low resistor via a Hardware-PW-ON procedure.

4.1.2 Packet Forwarding

IP179N/H utilizes the “store & forward” method to handle packet transfer. IP179N/H begins to forward a packet to a destination port after the entire packet is received. A received packet will be forwarded to the destination port only if it is error free; otherwise, it will be discarded.

4.1.3 Flow control

IP179N/H jams or pauses a port, which causes output queue over the threshold. Its link partner will defer transmission after detecting the jam or pause frame. A port of IP179N/H defers transmission when it receives a jam or a pause frame. The source address (SA) of pause control frame will be [IP179N/H OUI (0090C3), port number]. For example, the SA of port 1 pause control frame will be “00 90 C3 00 00 01”.

The flow control function can be enabled by programming registers 4[11:10]

4.1.4 Backpressure

In half duplex mode, the IP179N/H supports backpressure flow control. When set BK_EN of MII register 20.1[4] to “1”, the packets in buffer reach the threshold, IP179N/H generates a jam pattern to back off the link partner.

4.2 LBAS (Length/Link Based Auto Switch)

IP179N/H supports LBAS function, it can auto switch to 10BASE-T to establish link in extra-long cable. IP179N/H performs LBAS function through auto-negotiation process.

As the flow chart, when IP179N/H starts to link, it advertises 100BASE-TX/10BASE-T ability in default. Once auto-negotiation process is completed and 100BASE-TX is selected.

Then IP179N/H checks 100Mbps receiving quality (performance). If the receiving quality is good, the 100Mbps link will be established.

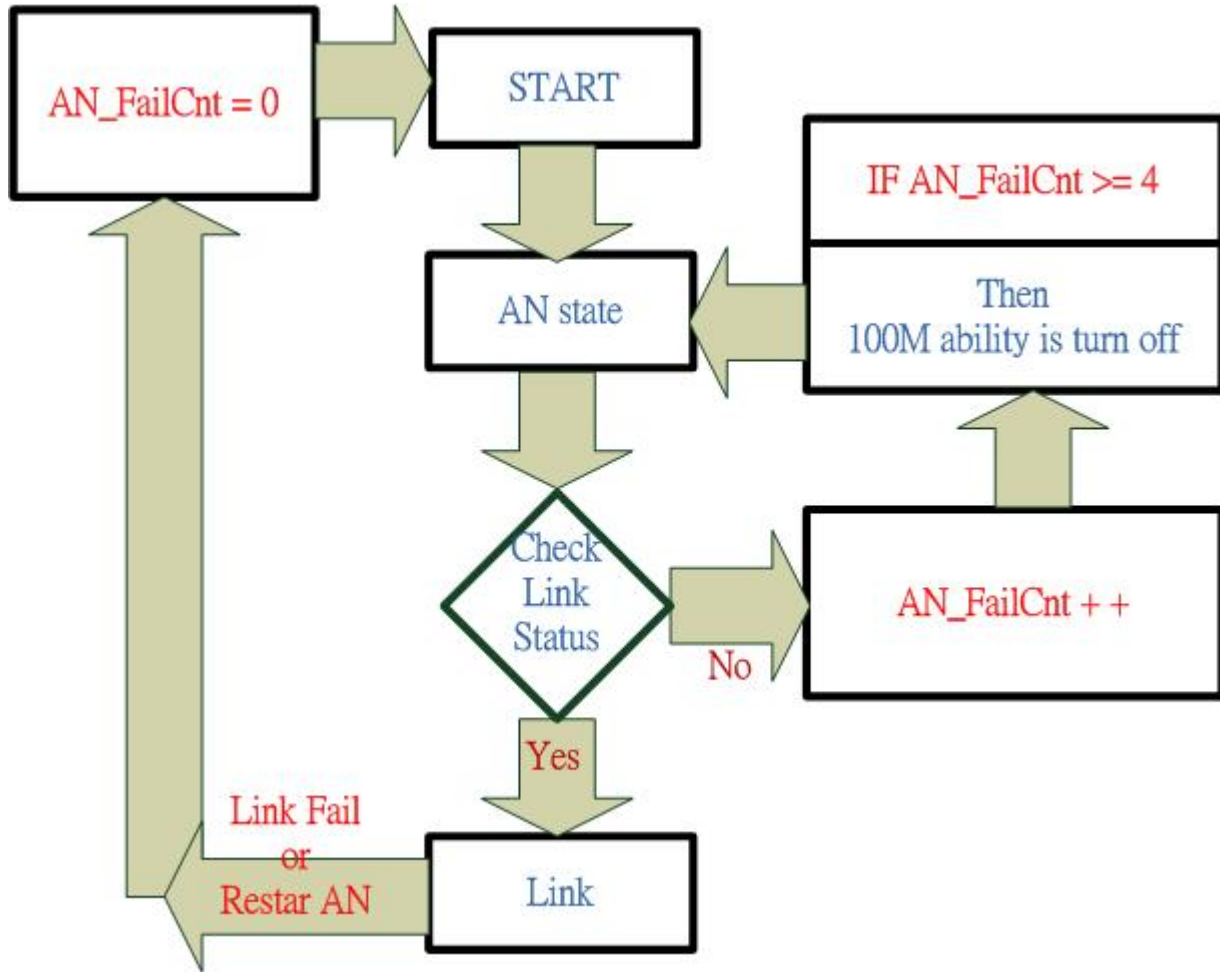
If not good IP179N/H will restart auto-negotiation to do another try and AN_fail_cnt count 1.

While AN_fail_cnt reaches the specified value, IP179N/H will restart auto-negotiation and advertises 10BASE-T ability only to establish 10Mbps link to link partner.

Also when break link, IP179N/H will keep mask 100BASE-TX ability for 5~10 seconds to speed up next LBAS link process.

It can shrink link time (down speed to 10M) from 8 second to 1 second.

Any restart-AN event will clear AN_fail_cnt then IP179N/H will stop mask 100BASE-TX ability in auto-negotiation process.



4.3 External MII

IP179N is designed for single RMI interface (MII0), while IP179H provides 2 MII interfaces (MII0/MII1). Both IP179N and IP179H are compatible with IEEE 802.3, and connection to either an external MAC or PHY.

IP179H MII0 provides a faster RGMII interface, and also allowing configuration into MII/RMII. On the other hand, IP179H MII1 is designed for RMII only. These interfaces provide flexible applications, such as 8 FE-TP Ports + 1 Giga Port Ethernet switch (w/ or w/o POE chips) and NVR application.

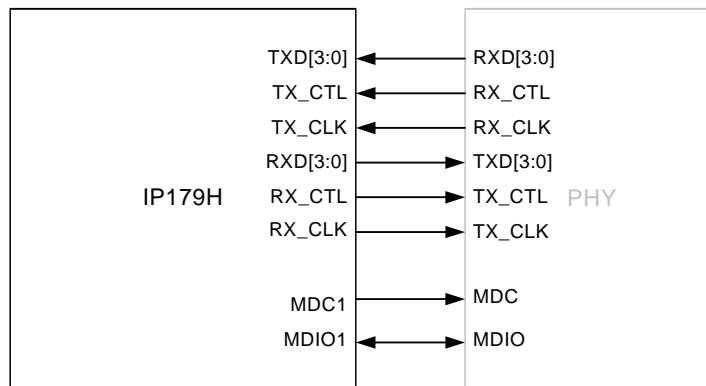
By adjusting PVDD_RG power supply, RGMII supports a wider range of voltage power (3.3/2.5/1.8V).

4.3.1 The Application Circuit of RGMII

(EXTMII_MODE1=1, EXTMII_MODE0=1)

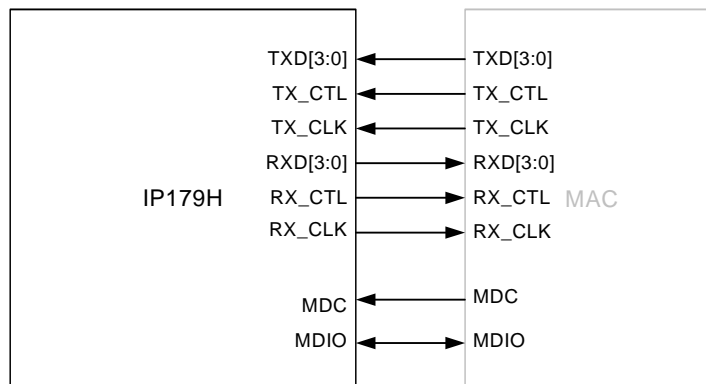
External PHY

The following circuit diagram is the RGMII circuit of IP179H MII0.



External MAC

The following circuit diagram is the RGMII circuit of IP179H MII0.

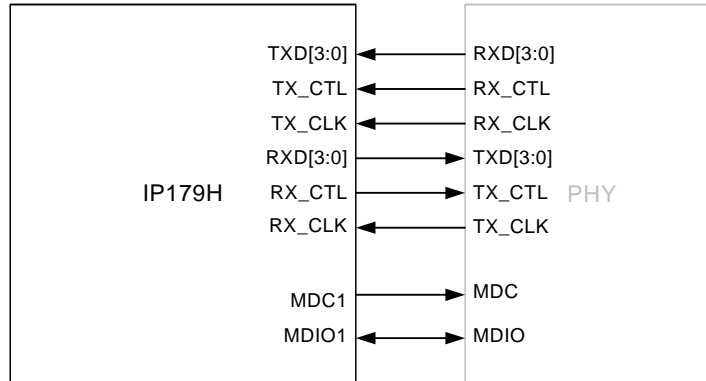


4.3.2 The Application Circuit of MII

(EXTMII_MODE1=1, EXTMII_MODE0=0)

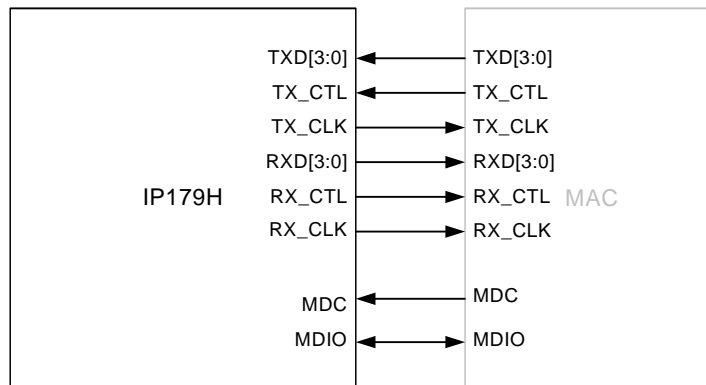
External PHY (MII0_MAC_MODE=1)

The following circuit diagram is the MII circuit of IP179H MII0 MAC mode.



External MAC (MII0_MAC_MODE=0)

The following circuit is the MII circuit of IP179H MII0 PHY mode.

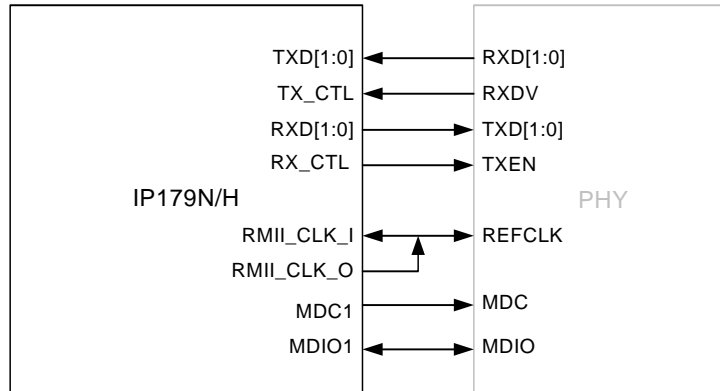


4.3.3 The Application Circuit of RMII

(EXTMII_MODE1=0, EXTMII_MODE0=1)

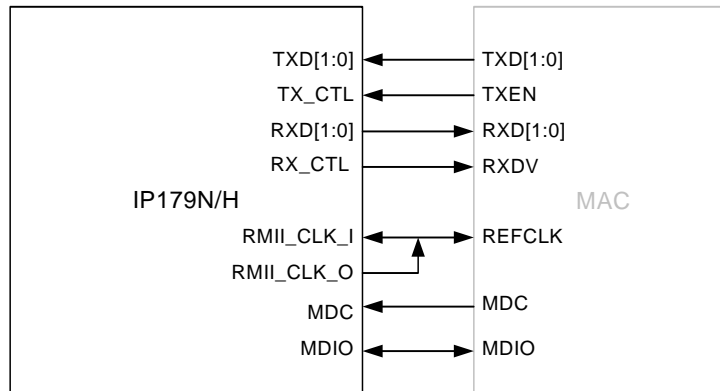
External PHY

The following circuit diagram is the RMII circuit of IP179N/H MII0.

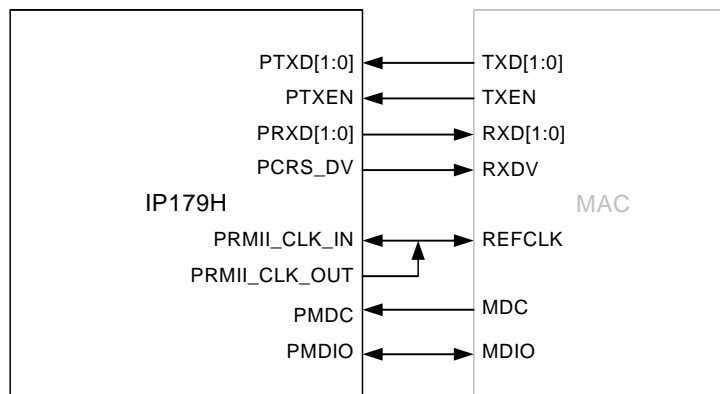


External MAC

The following circuit is the RMII circuit of IP179N/H MII0.



The following circuit is the RMII circuit of IP179H MII1.



4.4 Virtual LAN (VLAN)

IP179N/H is a VLAN aware-switch and support two classification rule: port-based VLAN and tag-based VLAN. Each port can configure its classification rule respectively. In tag-based VLAN the switch supports up to 16 VLAN groups. Two ingress VLAN rule and egress VLAN rule are provided. The ingress VLAN rule is used to discard packet that violate this rule. The egress rule checks VLAN member set and performs the determination of tagging or un-tagging. In learning process the switch supports shared and independent VLAN learning.

4.4.1 Port-based VLAN

Port based VLAN divides switching ports into different VLAN base on per port basis. IP179N/H provides 9 port-based VLAN configurations for each ingress port. The port-based VLAN feature filter out traffic that is not in VLAN domain port. The port-based VLAN domain selected for each ingress via REG22.16-24、23.0-8 and 23.16-24. Packet inserts or removes tag depending on the port defined as tagged or untagged port.

4.4.2 Tag-based VLAN

In tag-based VLAN classification two modes are provided for applying VLAN classification: using VID to classify VLAN and using PVID to classify VLAN. Using VID to classify VLAN, VID searching is performed according to frame's VID. If any packets carrier no VID information, the VID searching is performed using PVID. In using PVID to classify VLAN the PVID for a given port is used for VID searching, whether VLAN tagged or untagged frames are received on this port.

The VLAN table consists of 16 entries, with the contents described in the following table.

VLAN Entry Field	MII Register	Descriptions
Valid	22.15[15:0]	Entry is valid
VID and FID	24.0-15	VLAN identifier and Filtering Identifier
Add Tag	24.16-31	To add VLAN tag to frame
Remove Tag	25.0-15	To remove VLAN tag from frame
VLAN Member set	25.16-31	Membership for each VLAN

4.4.3 VLAN Ingress Filtering

IP179N/H specify a VLAN ingress rule in MII register 22.2. Any frames received on a port are discarded if it violates this rule.

4.4.4 Shared and Independent VLAN Learning

The learning process extracts SA+FID information encapsulated in reception of incoming packet and store to MAC table for future purpose of forwarding frames. An entry is created or updated in MAC table if all conditions are met:

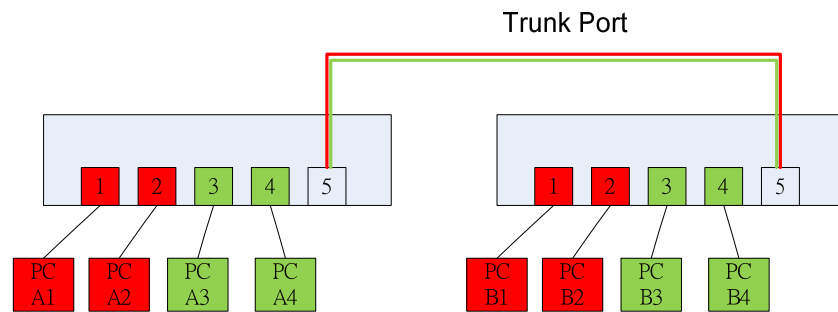
1. The port on which frame is received is on learning enable (REG20.5[8:0])
2. The SA of received frame is unicast address
3. The frame has been received without error
4. The Member set for the frame's VID includes at least one Port

The learning process supports shared and independent VLAN learning according to REG20.7[0] setting . In shared VLAN learning rule the learning information from a VLAN can make used by the others VLANs. In independent VLAN learning rule the learning information from a VLAN makes use only itself. This standard was specified in IEEE 802.1Q.

4.4.5 The determination of the requirement to insert or remove tag

IP179N/H supports the ability of insertion and removal tag header from a VLAN. Tagged means that the vlan information is added to the frame before it is sent to trunk port. Untagged means that the vlan information is removed from the frame before it is sent.

For example, a switch is divided into two logical switches (RAD VLAN and GREEN VLAN). A single switch port can be used as trunk port for connection between more than one Ethernet switch. Trunk links provide VLAN information for frames traveling between switches. If switch support tagged VLAN, you can extend VLANs across more the one switches.



4.5 Quality of Service (QoS)

IP179N/H provides two queues per-port to be assigned according to information in

1. Ingress Port
2. VLAN Priority
3. ToS/DSCP

The priority classification determines which one is assigned to queue-mapping for a given frame. Priority classification table summarizes how the registers (MII register 20.8-15) setting to affect the result of queue-mapping.

PORT_PRI_EN	COS_EN	TOS_OVER_VLAN	Queue mapping
1	Don't care	Don't care	Port based mapping
0	1	0	802.1p mapping for tagged frame; otherwise, DSCP mapping for IP frame; otherwise, port-based mapping
0	1	1	DSCP mapping for IP frame; otherwise, 802.1p mapping for tagged frame; otherwise, port-based mapping

Each output port has two queues and two queue scheduling are used : WRR (Weighed Round Robin) and SP (Strict Priority)

SP:

In strictly priority, the packets in a queue will go first till its queue is empty.

WRR:

User can control the number of packet transmission on an output queue by setting its weight.

4.6 IGMP Snooping

IGMP is used between hosts and neighboring multicast routers, IP179N/H listens the IGMP message communication between router and host to establish multicast group membership. Based on the group membership information, IP179N/H forwards IP multicast data to its membership which registered in group table. For hardware IGMP snooping timeout mechanism is provided by applying the hosts silently leave a specific multicast group. "Silently Leave" means that a host does not respond to query message when it want to leaves group.

4.7 MAC Address Table

IP179N/H support 2K MAC addresses. The address table can configure either 2K unicast address or 1K unicast address/1K multicast address. The multicast table occupies the MAC table from 0x400 to 0x7FF if the AT_STR bit (register 20.7.2) set to high. The MAC table is organized as hash table which consist of 512 buckets with four entries in each bucket. Each bucket is located through its respective hash key, calculated from MAC and FID by using XOR algorithm. It is possible that multiple MAC addresses index to the same bucket, term as collision. IP179N/H provides four entries within each buck for reducing collision rate. Finally, the 11-bit hash index mapping to MAC table consist of three parameters: multicast address bit, hash key and entry number. The MSB of hash index distinguishes multicast address from MAC addresses. The least two significant bit in hash index indicates entry number. The other bit is hash key which calculated from MAC and FID using XOR algorithm. In IP179N/H the formula of hash index is computed based on table structure. The user can set AT_STR bit to configure table structure. The 11-bit hash index is computed as following:

[AT_STR=0 \(2K unicast table\)](#)

Hash Index = { XOR({2'b00,FID,MAC[47:45]}, MAC[44:36], MAC[35:27], MAC[26:18], MAC[17:9], MAC[8:0]), Entry Number }

AT_STR=1 (1K unicast table and 1K multicast table)

Hash Index = {Multicast Address Bit, XOR({4'h0,FID}, MAC[47:40], MAC[39:32], MAC[31:24], MAC[23:16], MAC[15:8], MAC[7:0]), Entry Number }

4.7.1 Entry Content

Entry content in MAC table contains the forwarding information for a specific MAC address. This table content is automatically updated by learning process and can directly access from the CPU through Address Table Access register (see MII register 21.8-13).

4.7.2 Accessing MAC Table

The MAC table can be accessed by through MII register 21.8-13. IP179N/H provides two access commands: single read and single write. A single read or write transfer only executes a single I/O operation and user only can access a particular memory address. When a given MAC+FID read from (or write to) MAC table, the MAC+FID is used to compute hash index for mapping to MAC table.

Single Read

The single read process is described as following steps:

Step 1 – Set hash index in register 21.8[10:0]

Step 2 – Set single read command in register 21.8[14]

Step 3 – Set START bit in register 21.8[15] to initiate read command

Step 5 – read data from data buffer register (register 21.9-13). User must read data buffer register from register 21.9 to register 21.13 in regular order.

Single Write

The single write process is described as following steps:

Step 1 – Write desired data to data buffer register (register 21.9-13)

Step 2 – Set hash index in register 21.8[10:0]

Step 3 – Set single write command in register 21.8[14]

Step 4 – Set START bit in register 21.14[15] to initiate write command

4.7.3 Address Aging

The MAC address is removed from MAC table by aging process. The aging process periodically check aging time field of MAC table and the aging time is programmed in 21.4. The aging function can be enabled based on per port or a FID.

The aging function can quickly aged out MAC address from a unicast port and the enable bit is in register 20.7[3].

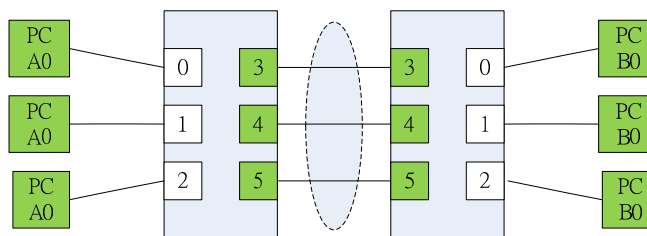
4.8 Link Aggregation

Link aggregation is a method of logically combining multiple ports together to increase a single high-throughput path and implement load balanced among the member ports of the group. If some of ports are in a trunk group, all ports in that trunk group shall be in the same VLAN group. It also provides failover capabilities to maintain networks connectivity if a port becomes unavailable.

The following example is shown how to configure three links between two switches.

1. Set AGGR_MODE (REG21.14[14:13]), four ways determine how to search aggregation table
 - i. 21.14[14:13]=0x0, using source port as index to select one of aggregation table
2. Set AGGR_GROUP_0(REG21.14[8:0]), to add ports into a aggregation group.
 - i. 21.14[8:0]=0x38, port3-4 are aggregated a group
3. Set aggregation table, it guarantee any frames only transmitted to one port within an aggregation group.

21.16[8:0]	9'b1_1100_1111	Port 0 select port 3 as destination port within group
21.17[8:0]	9'b1_1101_0111	Port 1 select port 4 as destination port within group
21.18[8:0]	9'b1_1110_0111	Port 2 select port 5 as destination port within group

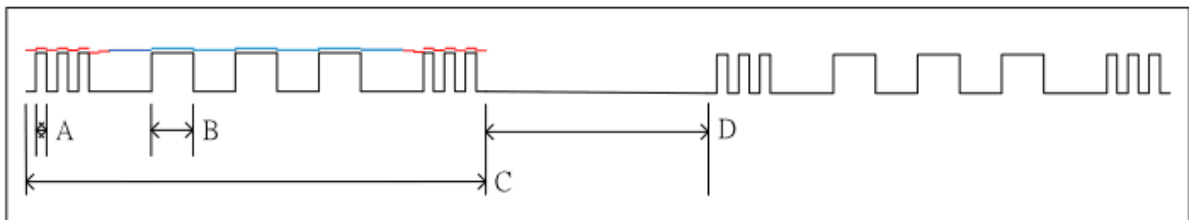


4.9 Loop detection

Network loops impact network normal traffic to become slow down. Loop detection feature can help you identify and remove loops on switch. If the LEDs for all linked devices are blinking or sound warning produced by an alarm, the loops are detected. An option setting (REG21.6[12]) can block the normal traffic on the loop ports to minimum impact the network.

4.10 LED hardware loop detection indication

When the network connects the loop topology, looped frames will cause the broadcast storm to drag the network traffic. For the IP179N/H, the loop detect will show S.O.S. pattern which S means short blink with 256ms period and O indicates long blink with 1024ms period. When the network loop is detected, the LED showing process enters into loop-detection setup.



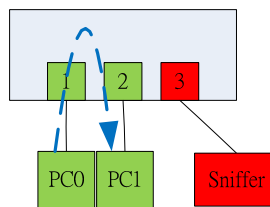
A period: 256ms
 B period: 1024ms
 C period: 10.7s
 D period: 3840ms

4.11 Port Mirror

Port mirror allows the ingress or/and egress packets to be captured to the port that connect to analyzer device. The feature can monitor the traffic activity on the given port and check intruders.

An example, traffic sent by pc0 to pc1 is copied to port 2 (sniffer).

21.24[15]	0x1	Port mirror is enabled
21.24[14]	0x1	Sniffer port receive only mirrored packets and discard others packets
21.24[13:12]	0x2	Traffic from ingress port to egress port is mirrored.
21.24[8:0]	0x4	Port 2 connect to sniffer
21.25[8:0]	0x1	To specified which ingress port to be mirrored.
21.26[8:0]	0x2	To specified which egress port to be mirrored.



4.12 Broadcast Storm Protection

Broadcast storm is the broadcast or multicast traffic flooding the network to degrade network performance by excessive packets. Broadcast storm protection filter that measure the broadcast traffic over threshold at predefine time interval. If the threshold is reached, further broadcast traffics are suppressed.

4.13 Reserved MAC Address

The action of multicast MAC addresses summarize in register 21.27. Packet with reserved multicast address are reserved for special function, switch can handle uniquely.

4.14 Statistic Counters

IP179N/H implement 3 counters on per-port and one global FCS error packet counter.

32-bit Counter	Description
FCS error packet counter	The number of packets received by a port that do not pass FCS check.
Received packet counter	Total good packets received on a port
Transmitted packet counter	Total packets transmitted on a port
Global FCS error packet counter	Total error packets received on all ports

4.15 Green Power

IP179N/H provides various power management modes to save the power consumption. In addition to the power down mode defined on IEEE802.3, two extra power saving modes are used to further reduce the system power consumption.

4.15.1 Auto Power Saving Mode

IP179N/H will automatically enter this mode if no cable link is established. After entering this mode, IP179N/H will shutdown unnecessary function and issue the link pulse at a rate lower than the regular rate specified on IEEE 802.3.

4.15.2 IEEE802.3az EEE (Energy Efficient Ethernet)

In order to enter this mode, the PHY part should declare the EEE capability during the auto-negotiation phase.

It's the higher layer's responsibility to memorize the link partner's wakeup time and wakeup the link partner before sending data. The higher layer means a mechanism that can evaluate the packet buffer utilization and wake the link partner before sending the data. In general speaking, this mechanism probably consists of at least one of the following items: the packet buffer manager, the application program and OS.

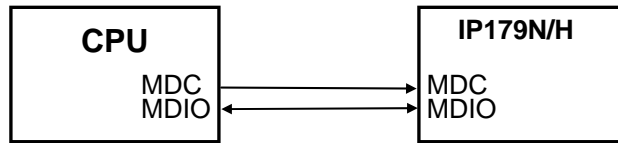
The EEE module works well at LPI (Low Power Idle) mode under the following conditions:

1. Link at full-duplex.
2. Auto-negotiation is enabled in both local and remote PHYs.
3. 100Mbps full duplex.
4. EEE ability is supported in both local & remote PHYs.
5. EEE_EN (Register 22.25[8:0]) is enabled for EEE function via default value.
6. SLEEP_TIME (Register 22.26[11:0]) is the default value for EEE sleep time.
7. WAKE_TIME (Register 22.27-31) is the default value for EEE wake time.

4.16 Serial Management Interface

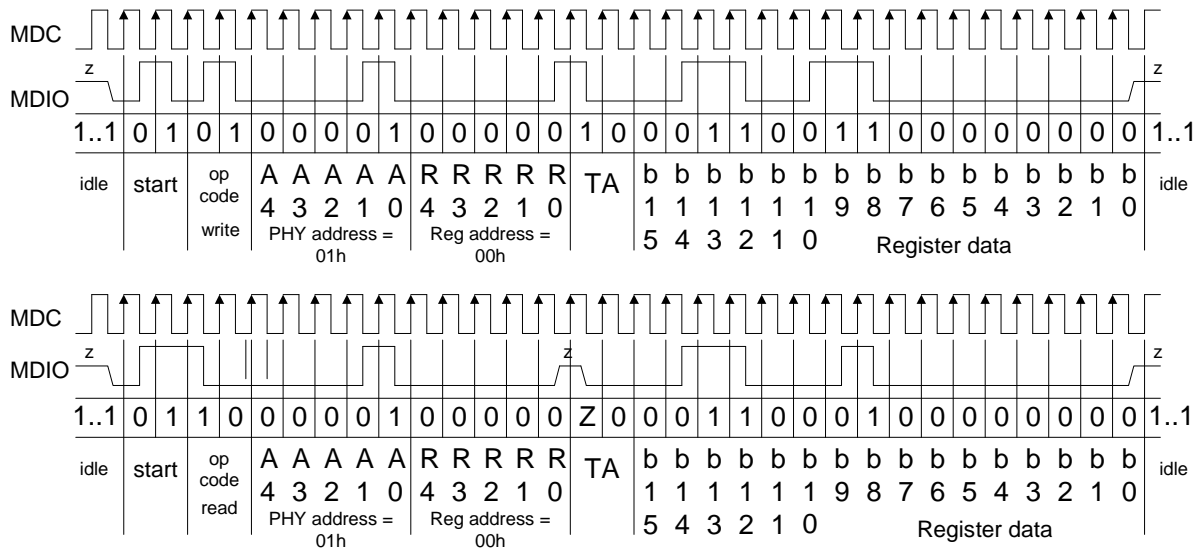
User can access IP179N/H's MII registers through serial management interface with pin MDC and MDIO. Its format is shown in the following table. To access MII register in IP179N/H, MDC should be at least one more cycle than MDIO. That is, a complete command consists of 32 bits MDIO data and at least 33 MDC clocks. When the SMI is idle, MDIO is in high impedance.

System diagram



Frame format	<Idle><start><op code><PHY address><Registers address><turnaround><data><idle>
Read Operation	<Idle><01><10><A ₄ A ₃ A ₂ A ₁ A ₀ ><R ₄ R ₃ R ₂ R ₁ R ₀ ><Z0> <b ₁₅ b ₁₄ b ₁₃ b ₁₂ b ₁₁ b ₁₀ b ₉ b ₈ b ₇ b ₆ b ₅ b ₄ b ₃ b ₂ b ₁ b ₀ ><Idle>
Write Operation	<Idle><01><01><A ₄ A ₃ A ₂ A ₁ A ₀ ><R ₄ R ₃ R ₂ R ₁ R ₀ ><10> <b ₁₅ b ₁₄ b ₁₃ b ₁₂ b ₁₁ b ₁₀ b ₉ b ₈ b ₇ b ₆ b ₅ b ₄ b ₃ b ₂ b ₁ b ₀ ><Idle>

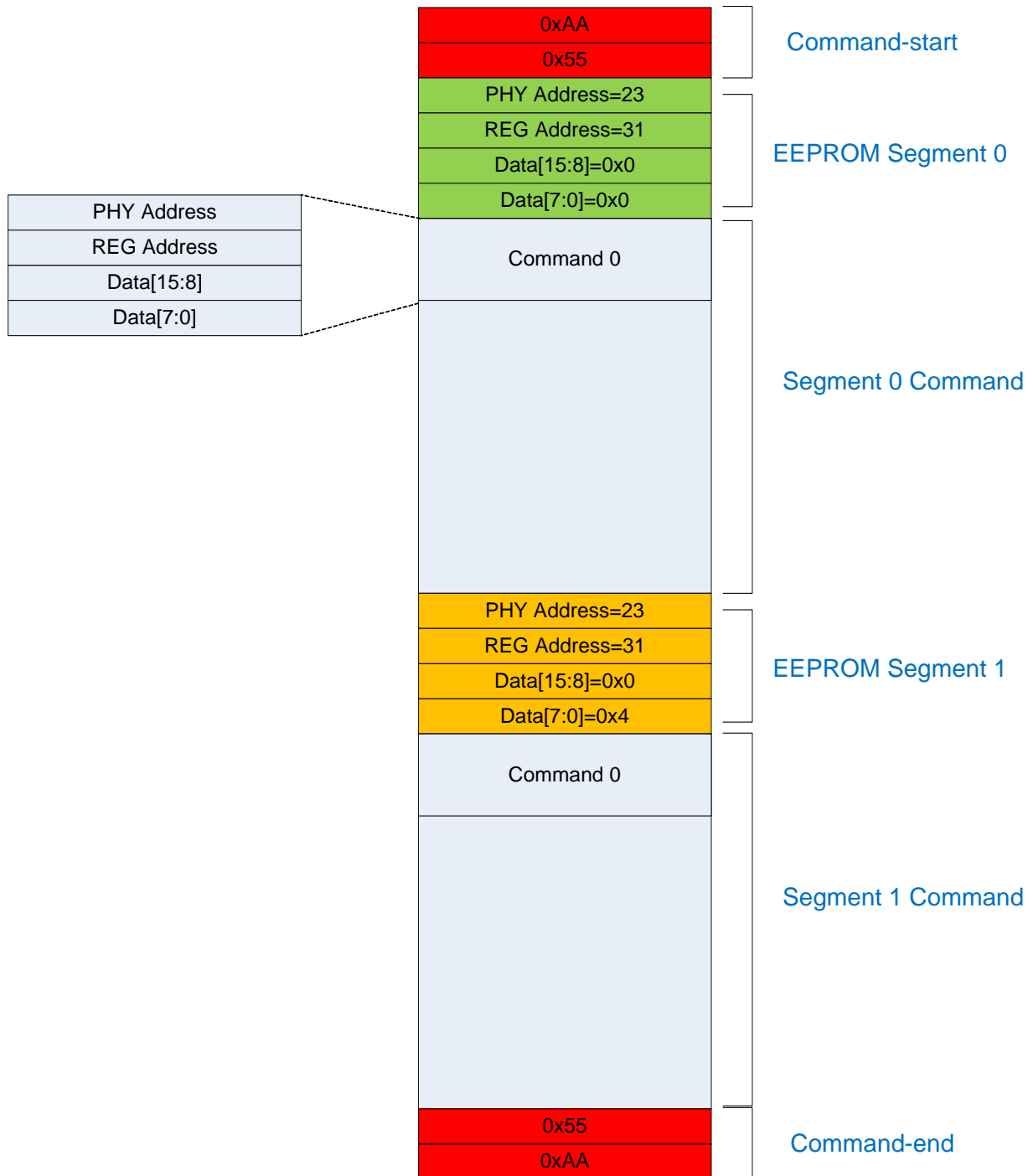
Figure 1 Serial management interface Read / Write Diagram



4.17 EEPROM Interface

IP179N/H supports EEPROM interface to program configuration registers during power-on reset. When power on and EEPROM is present, if the first 16-bit data match command-start (0x55AA) and then the data read from EEPROM until that command-end pattern (0xAA55) is read-in. In the case where the first data does not match 0x55AA, the load EEPROM process stops and IP179N/H treats it as no EEPROM exist.

The EEPROM can be partitioned into two segments and select which segment command you want to load the switch by setting EEPROM_SEGMENT pin and register 23.31[2]. The register 23.31[2] read-in and it matches EEPROM_SEGMENT pin, then the future command fetch into switch registers. If it does not match EEPROM_SEGMENT pin, the fetch command process ignore command fetch into switch registers until a match is found.



4.18 LED display (normal operation)

LED_SEL[1:0]	LED mode 0	LED mode 1	LED mode 2	LED mode 3
LED_SEL[1:0]	00	01	10	11
LED_LINK[8:0]	100M Link + Activity (1: 100M Link fail, 0: 100M Link ok and no activity, flash: 100M Link ok and TX/RX activity) Loop mode: S.O.S.	Link (1: link fail, 0: link ok) Loop mode: S.O.S.	100M Link + Activity (same as mode 0) Loop mode: S.O.S.	Link + Activity (1: link fail, 0: link ok, flash: Link ok and TX/ RX activity) Loop mode: S.O.S.
LED_SPEED[8:0]	flash: Link ok and TX/ RX activity	flash: Link ok and TX/ RX activity	Full/half (1: half, 0: full, flash: collision)	Speed (1: speed=10M, 0: speed=100M)
LED_FULL[8:0]	0: 10M Link ok 1: 100M Link ok	Full/half (same as mode 3)	10M Link + Activity (1: 10M Link fail, 0: 10M Link ok and no activity, flash: 10M Link ok and TX/RX activity)	Full/half (1: half, 0: full, flash: collision)

4.19 Serial LED Mode

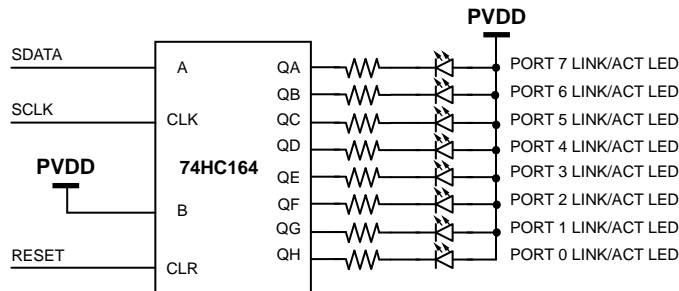
IP179N/H supports serial LED mode and can be setting MII register SERIAL_LED_EN to 1 by MII page3 register 16[12].

There are no enough pins for LED and IP179N/H sends out LED information through SCLK (IP179N pin 80 or IP179H pin 120) and SDATA (IP179N pin 81 or IP179H pin 121). It is necessary to use TTL chip to decode and drive LED. The application circuit is shown below.

IP179N/H supports two types of serial LED mode and can be setting by MII page3 register 16[11]. The default value is 0 (SERIAL_LED_MODE = 0) and can be setting to 1 by MII page3 register 16[11].

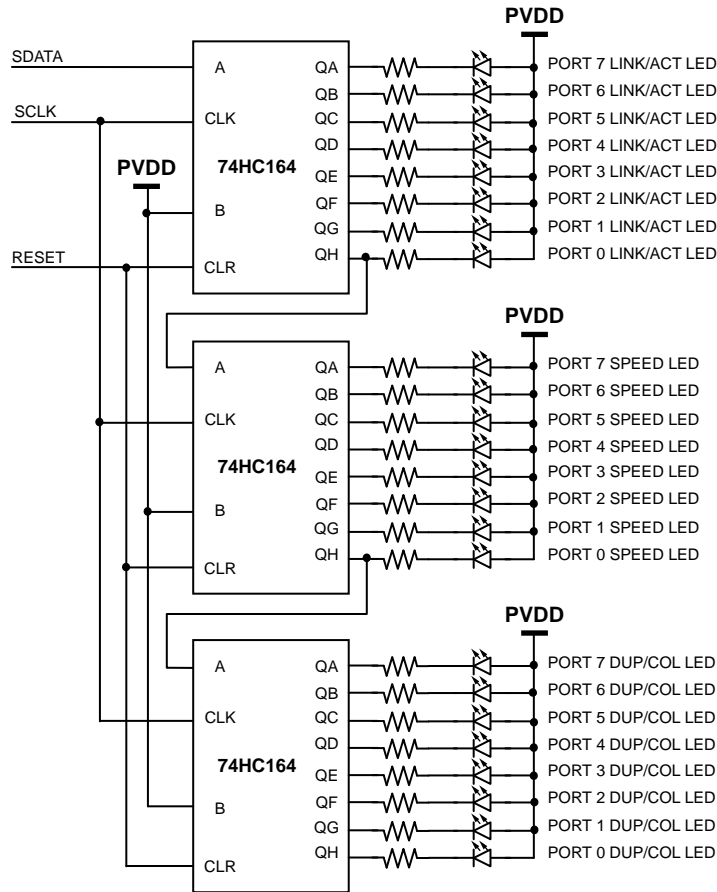
4.19.1 Supports Link LED Only

IP179N/H supports link LED only when setting SERIAL_LED_MODE to 1 and SERIAL_LED_EN to 1.



4.19.2 Supports Link, Speed, and Duplex LED

IP179N/H supports link, speed, and duplex LED when setting SERIAL_LED_MODE to 0 and SERIAL_LED_EN to 1.



4.20 LED Blink Timing

Table 1 LED Blink Timing

LED mode	Blinking speed
Serial mode update period	10ms
Active LED blink	Off 105ms → On 105ms → Off 105ms → ...
Collision LED blink	Off 105ms → On 105ms → Off 105ms → ...

Although the blinking period is the same for all ports, the LED of different port may blink in different phase.

4.21 Fiber Port Configuration

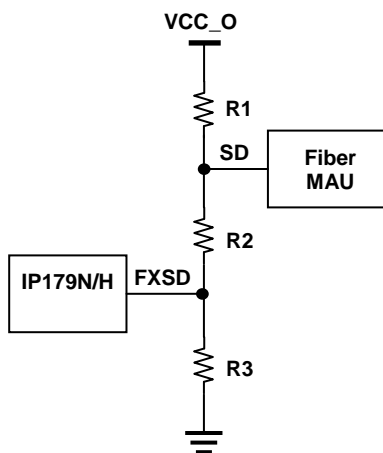
Port 6 ~ Port 8 of IP179N/H can be configured to be a fiber port or a TP port individually. A port becomes a fiber port if its FXSDx is connected to a fiber MAU or pulled to high. A port becomes a TP port if it's FXSDx is pulled low.

Table 2 Fiber port parameter

Parameter	Symbol	MIN.	Type	MAX.	Unit
Fiber Rx common mode Voltage	V_{FRC}	-	$0.6 \cdot AV33$	-	V
Fiber Rx differential mode Voltage	V_{FRD}	0.4	-	-	V

PVDD = 3.3V

Voltage on FXSDx	TP port	Fiber port	Fiber signal detect	Condition
< 0.4 V	Yes	--	--	
> 1.2 V < 1.7 V	--	Yes	Off	Fiber unplugged
> 1.95 V < 3.3 V	--	Yes	On	Fiber plugged



	3V	5V
R1	1K	470
R2	100	300
R3	910	330

5 PHY Register

5.1 PHY Register Map

Page	Register	Description	Default	Note
0	0	Control Register		PHY 8~15, 1
0	1	Status Register		PHY 8~15, 1
0	2	PHY Identifier 1 Register		PHY 8~15, 1
0	3	PHY Identifier 2 Register		PHY 8~15, 1
0	4	Auto-Negotiation Advertisement Register		PHY 8~15, 1
0	5	Auto-Negotiation Link Partner Ability Register		PHY 8~15, 1
0	6	Auto-Negotiation Expansion Register		PHY 8~15, 1
0	7	Auto-Negotiation Next Page Transmit Register		PHY 8~15, 1
0	8	Auto-Negotiation Link Partner Next Page Register		PHY 8~15, 1
0	13	MMD Access Control Register		PHY 8~15, 1
0	14	MMD Access Address Data Register		PHY 8~15, 1
0	3.0	PCS control 1 register		PHY 8~15, 1
0	3.1	PCS status 1 register		PHY 8~15, 1
0	3.20	EEE capability		PHY 8~15, 1
0	3.22	EEE wake error count		PHY 8~15, 1
0	7.60	EEE advertisement register		PHY 8~15, 1
0	7.61	EEE link partner ability		PHY 8~15, 1
0	16	Special Control Register (APS)		SHARE
0	18	Special Status Register		PHY 8~15, 1
X	20	Page Control Register		SHARE
3	16	LED Control Register		SHARE
4	16	WOL+ Control Register		SHARE

Share: 9 PHYs share the register

R/W = Read/Write, SC = Self-Clearing, RO = Read Only, LL = Latching Low, LH = Latching High.

5.2 MII Register

5.2.1 MII Register 0

(Each PHY has its own MII register 0 with different PHY address)

PHY	MI	R/W	Description	Default
Control Register				
8~15 1	0.15	RW/ SC	Reset The PHY is reset if user writes "1" to this bit. The reset period is around 2ms. User has to wait for at least 2ms to access IP179N/H. (according design should delete)	0
8~15 1	0.14	R/W	Loop back 1 = Loop back mode 0 = normal operation When this bit set, IP179N/H will be isolated from the network media, that is, the assertion of TXEN at the MII will not transmit data on the network. All MII transmission data will be returned to MII receive data path in response to the assertion of TXEN. Bit 0.12 is cleared automatically, if this bit is set. User has to program bit 0.12 again after loop back test. (according design should delete)	0
8~15 1	0.13	RW	Speed Selection 1 = 100Mbps 0 = 10Mbps It is valid only if bit 0.12 is set to be 0.	1
8~15 1	0.12	RW	Auto-Negotiation(AN) Enable 1 = Auto-Negotiation Enable 0 = Auto-Negotiation Disable	1
8~15 1	0.11	R/W	Power Down 1: power down mode 0: normal operation	0
8~15 1	0.10		Isolate IP179N/H doesn't support this function.	0
8~15 1	0.9	RW SC	Restart Auto-Negotiation 1 = re-starting Auto-Negotiation 0: normal operation	0
8~15 1	0.8	R/W	Duplex mode 1 = full duplex 0 = half duplex It is valid only if bit 0.12 is set to be 0.	1
8~15 1	0.7	R/W	Collision test	0
8~15 1	0[6:0]	RO	Reserved	0

5.2.2 MII Register 1

(Each PHY has its own MII register 1 with different PHY address)

PHY	MI1	R/W	Description	Default
Status Register				
8~15 1	1.15	RO	100Base-T4 capable 1 = 100Base-T4 capable 0 = not 100Base-T4 capable IP179N/H does not support 100Base-T4. This bit is fixed to be 0.	0
8~15 1	1.14	RO	100Base-X full duplex Capable 1 = 100Base-X full duplex capable 0 = not 100Base-X full duplex capable	1
8~15 1	1.13	RO	100Base-X half duplex Capable 1 = 100Base-X half duplex capable 0 = not 100Base-X half duplex capable	1
8~15 1	1.12	RO	10Base-T full duplex Capable 1 = 10Base-T full duplex capable 0 = not 10Base-T full duplex capable	1
8~15 1	1.11	RO	10Base-T half duplex Capable 1 = 10Base-T half duplex capable 0 = not 10Base-T half duplex capable	1
8~15 1	1.10	RO	100Base-T2 full duplex Capable 1 = 100Base-T2 full duplex capable 0 = not 100Base-T2 full duplex capable	0
8~15 1	1.9	RO	100Base-T2 half duplex Capable 1 = 100Base-T2 half duplex capable 0 = not 100Base-T2 half duplex capable	0
8~15 1	1.8	RO	Extended Status	0
8~15 1	1.7	RO	Reserved	1
8~15 1	1.6	RO	MF preamble Suppression 1 = preamble may be suppressed 0 = preamble always required	1
8~15 1	1.5	RO	Auto-Negotiation Complete 1 = Auto-Negotiation complete 0 = Auto-Negotiation in progress When read as logic 1, indicates that the Auto-Negotiation process has been completed, and the contents of register 4 and 5 are valid. When read as logic 0, indicates that the Auto-Negotiation process has not been completed, and the contents of register 4 and 5 are meaningless. If Auto-Negotiation is disabled (bit 0.12 set to logic 0), then this bit will always read as logic 0.	0
8~15 1	1.4	RO LH	Remote fault 1 = remote fault detected 0 = not remote fault detected When read as logic 1, indicates that IP179N/H has detected a remote fault condition. This bit is set until remote fault condition gone and before reading the contents of the register. This bit is cleared after IP179N/H reset.	0

PHY	MII	R/W	Description	Default
Status Register				
8~15 1	1.3	RO	Auto-Negotiation Ability 1 = Auto-Negotiation capable 0 = not Auto-Negotiation capable When read as logic 1, indicates that IP179N/H has the ability to perform Auto-Negotiation.	1
8~15 1	1.2	RO LL	Link Status 1 = Link Pass 0 = Link Fail When read as logic 1, indicates that IP179N/H has determined a valid link has been established. When read as logic 0, indicates the link is not valid. This bit is cleared until a valid link has been established and before reading the contents of this registers.	0
8~15 1	1.1	RO LH	Jabber Detect 1 = jabber condition detected 0 = no jabber condition detected When read as logic 1, indicates that IP179N/H has detected a jabber condition. This bit is always 0 for 100Mbps operation and is cleared after IP179N/H reset. When the duration of TXEN exceeds the jabber timer (21ms), the transmission and loop back functions will be disabled and the COL is active. After TXEN goes low for more than 500 ms, the transmitter will be re-enabled.	0
8~15 1	1.0	RO	Extended capability 1 = Extended register capabilities 0 = No extended register capabilities IP179N/H has extended register capabilities.	1

5.2.3 MII Register 2

(Each PHY has its own MII register 2 with different PHY address)

PHY	MII	R/W	Description	Default
PHY Identifier 1 Register				
8~15 1	2	RO	IP179N/H OUI (Organizationally Unique Identifier) ID, the MSB is 3 rd bit of IP179N/H OUI ID, and the LSB is 18 th bit of IP179N/H OUI ID. IP179N/H OUI is 0090C3.	16'h0243

5.2.4 MII Register 3

(Each PHY has its own MII register 3 with different PHY address)

PHY	MII	R/W	Description	Default
PHY Identifier 2 Register				
8~15 1	3[15:10]	RO	PHY identifier IP179N/H OUI ID, the MSB is 19 th bit of IP179N/H OUI ID, and LSB is 24 th bit of IP179N/H OUI ID.	6'h03
8~15 1	3[9:4]	RO	Manufacture's Model Number IP179N/H model number	6'h01
8~15 1	3[3:0]	RO	Revision Number IP179N/H revision number	0

5.2.5 MII Register 4

(Each PHY has its own MII register 4 with different PHY address)

PHY	MI	R/W	Description	Default
Auto-Negotiation Advertisement Register				
8~15 1	4.15	R/W	1 = Next pages are supported 0 = Next pages are not supported	0
8~15 1	4.14	RO	Reserved by IEEE, write as 0, ignore on read	0
8~15 1	4.13	R/W	Remote Fault 1 = Advertises that this port has detected a remote fault. 0 = There is no remote fault.	0
8~15 1	4.12	RO	Reserved for future IEEE use, write as 0, ignore on read	0
8~15 1	4.11	RW	Asymmetric PAUSE 1 = Asymmetric flow control is supported 0 = Asymmetric flow control is not supported	1
8~15 1	4.10	RW	PAUSE 1 = Symmetric flow control is supported 0 = Symmetric flow control is not supported	1
8~15 1	4.9	RO	100BASE-T4 Not supported	0
8~15 1	4.8	R/W	100BASE-TX full duplex 1 = 100BASE-TX full duplex is supported 0 = 100BASE-TX full duplex is not supported	1
8~15 1	4.7	R/W	100BASE-TX 1 = 100BASE-TX is supported 0 = 100BASE-TX is not supported	1
8~15 1	4.6	R/W	10BASE-T full duplex 1 = 10BASE-T full duplex is supported 0 = 10BASE-T full duplex is not supported	1
8~15 1	4.5	R/W	10BASE-T 1 = 10BASE-T is supported 0 = 10BASE-T is not supported	1
8~15 1	4[4:0]	RO	Selector Field Use to identify the type of message being sent by Auto-Negotiation.	5'b00001

5.2.6 MII Register 5

(Each PHY has its own MII register 5 with different PHY address)

PHY	MII	R/W	Description	Default
Auto-Negotiation Link Partner Ability Register				
8~15 1	5.15	RO	Next Page 1 = Next Page ability is supported by link partner 0 = Next Page ability does not supported by link partner	0
8~15 1	5.14	RO	Acknowledge 1 = Link partner has received the ability data word 0 = Not acknowledge	0
8~15 1	5.13	RO	Remote Fault 1 = Link partner indicates a remote fault 0 = No remote fault indicate by link partner If this bit is set to logic 1, then bit 1.4 (Remote fault) will set to logic 1.	0
8~15 1	5.12	RO	Reserved by IEEE for future use, write as 0, and read as 0.	0
8~15 1	5.11	RO	Asymmetric PAUSE 1 = Link partner support Asymmetric PAUSE 0 = Link partner does not support Asymmetric PAUSE When local or link partner is Auto-negotiation disabled, this bit is read as 1. The pause resolution is determined by MII Reg4.[11:10].	0
8~15 1	5.10	RO	PAUSE 1 = Link partner support Symmetric PAUSE 0 = Link partner does not support Symmetric PAUSE When local or link partner is Auto-negotiation disabled, this bit is read as 1. The pause resolution is determined by MII Reg4.[11:10].	0
8~15 1	5.9	RO	100BASE-T4 1 = Link partner support 100BASE-T4 0 = Link partner does not support 100BASE-T4	0
8~15 1	5.8	RO	100BASE-TX full duplex 1 = Link partner support 100BASE-TX full duplex 0 = Link partner does not support 100BASE-TX full duplex	0
8~15 1	5.7	RO	100BASE-TX 1 = Link partner support 100BASE-TX 0 = Link partner does not support 100BASE-TX	0
8~15 1	5.6	RO	10BASE-T full duplex 1 = Link partner support 10BASE-T full duplex 0 = Link partner does not support 10BASE-T full duplex	0
8~15 1	5.5	RO	10BASE-T 1 = Link partner support 10BASE-T 0 = Link partner does not support 10BASE-T When AN is disabled, this bit is set if register 0.13=0	0
8~15 1	5[4:0]	RO	Selector Field Protocol selector of the link partner	5'b00000

5.2.7 MII Register 6

(Each PHY has its own MII register 6 with different PHY address)

PHY	MII	R/W	Description	Default
Auto-Negotiation Expansion Register				
8~15 1	6[15:5]	RO	Reserved	0
8~15 1	6.4	RO/ LH	Parallel Detection Fault 1 = a fault has been detected via parallel detection function. 0 = a fault has not been detected via parallel detection function.	0
8~15 1	6.3	RO	Link Partner Next Page Able 1 = Link partner is next page able. 0 = Link partner is not next page able.	0
8~15 1	6.2	RO	Next Page Able 1 = IP179N/H next page able. 0 = IP179N/H is not next page able.	1
8~15 1	6.1	RO/ LH	Page Recieved 1 = A new page has been received. 0 = A new page has not been received.	0
8~15 1	6.0	RO	If AN is enabled, this bit means: 1 = Link partner is Auto-Negotiation able. 0 = Link partner is not Auto-Negotiation able. In 100FX or AN disabled, then this bit is always equal to 0.	0 (AN) (100FX)

5.2.8 MII Register 7

(Each PHY has its own MII register 7 with different PHY address)

PHY	MII	R/W	Description	Default
Auto-Negotiation Next Page Transmit Register				
8~15 1	7.15	RW	Next Page Transmit Code Word Bit 15	0
8~15 1	7.14	RO	Reserved Transmit Code Word Bit 14	0
8~15 1	7.13	RW	Message Page Transmit Code Word Bit 13	1
8~15 1	7.12	RW	Acknowledge 2 Transmit Code Word Bit 12	0
8~15 1	7.11	RO	Toggle Transmit Code Word Bit 11	0
8~15 1	7[10:0]	RW	Message/Unformatted Field Transmit Code Word Bit 10:0	1

5.2.9 MII Register 8

(Each PHY has its own MII register 8 with different PHY address)

PHY	MII	R/W	Description	Default
Auto-Negotiation Link Partner Next Page Register				
8~15 1	8.15	RO	Next Page Received Code Word Bit 15	0
8~15 1	8.14	RO	Acknowledge Received Code Word Bit 14	0
8~15 1	8.13	RO	Message Page Received Code Word Bit 13	0
8~15 1	8.12	RO	Acknowledge 2 Received Code Word Bit 12	0
8~15 1	8.11	RO	Toggle Received Code Word Bit 11	0
8~15 1	8[10:0]	RO	Message/Unformatted Field Received Code Word Bit 10:0	0

5.2.10 MII Register 16

(9 PHYs share the MII register)

PHY	MII	R/W	Description	Default
Special Control Register				
8~15 1	16.7	RW	Advance power saving mode 1 = Enable APS mode (Default) 0 = Disable APS mode Please refer to the Power Saving application note for more detail description.	1
8~15 1	16.4	RW	Far end fault function 1 = Far end fault function disable 0 = Far end fault function enable (Default) This bit is only used for fiber mode.	0

5.2.11 MII Register 18

(Each PHY has its own MII register 18 with different PHY address)

PHY	MII	R/W	Description	Default
Special Status Register				
8~15 1	18.14	RO	Linkup 1 = linkup 0 = unlink	0
8~15 1	18.11	RO	Speed Mode 1 = 100 Mbps 0 = 10 Mbps	0
8~15 1	18.10	RO	Duplex Mode 1 = Full Duplex 0 = Half Duplex	0

5.3 MMD Control Register

MII register 13 (Each PHY has its own MII register 13 with different PHY address)

PHY	MII	R/W	Description	Default
MMD Access Control Register				
8~15 1	13[15:14]	R/W	Function 00 = address 01 = data, no post increment 10 = data, post increment on reads and writes 11 = data, post increment on writes only	0
8~15 1	13[13:5]	RO	Reserved Write as 0, ignore on read	0
8~15 1	13[4:0]	R/W	DEVAD Device Address	0

MII register 14 (Each PHY has its own MII register 14 with different PHY address)

PHY	MII	R/W	Description	Default
MMD Access Address Data Register				
8~15 1	14[15:0]	R/W	Address Data If 13.15:14 = 00, MMD DEVAD's address register. Otherwise, MMD DEVAD's data register as indicated by the contents of its address register	0

Example 1, Read 0.3.20 (Read Data from MMD register 3.20 of PHY address 0):

1. Write 0.13 = 0x0003 //MMD DEVAD 3
2. Write 0.14 = 0x0014 //MMD Address 20
3. Write 0.13 = 0x4003 //MMD Data command for MMD DEVAD 3
4. Read 0.14 //Read MMD Data from 0.3.20

Example 2, Write 1.7.60 = 0x3210 (Write 0x3210 Data to MMD register 7.60 of PHY address 1):

1. Write 1.13 = 0x0007 //MMD DEVAD 7
2. Write 1.14 = 0x003C //MMD Address 60
3. Write 1.13 = 0x4007 //MMD Data command for MMD DEVAD 7
4. Write 1.14 = 0x3210 //Write MMD Data 0x3210 to 1.7.60

5.4 MMD Data Register

MMD register 3.0 (Each PHY has its own MMD register 3.0 with different PHY address)

PHY	MII	R/W	Description	Default
PCS control 1 Register				
8~15 1	3.0[15:11]	RO	Reserved Ignore when read	0
8~15 1	3.0.10	R/W	Clock stop enable 1 = PHY may stop xMII Rx clock during LPI (IP179N/H doesn't support) 0 = Clock not stoppable	0
8~15 1	3.0[9:0]	RO	Reserved Ignore when read	0

MMD register 3.1 (Each PHY has its own MMD register 3.1 with different PHY address)

PHY	MII	R/W	Description	Default
PCS status 1 Register				
8~15 1	3.1[15:12]	RO	Reserved Ignore when read	0
8~15 1	3.1.11	RO/LH	Tx LPI received 1 = Tx PCS has received LPI 0 = LPI not received	0
8~15 1	3.1.10	RO/LH	Rx LPI received 1 = Rx PCS has received LPI 0 = LPI not received	0
8~15 1	3.1.9	RO	Tx LPI indication 1 = Tx PCS is currently receiving LPI 0 = PCS is not currently receiving LPI	0
8~15 1	3.1.8	RO	Rx LPI indication 1 = Rx PCS is currently receiving LPI 0 = PCS is not currently receiving LPI	0
8~15 1	3.1.7	RO	Reserved Ignore on read	0
8~15 1	3.1.6	RO	Clock stop capable 1 = The MAC may stop the xMII Tx clock during LPI 0 = Clock not stoppable	0
8~15 1	3.1[5:0]	RO	Reserved Ignore when read	0

MMD register 3.20 (Each PHY has its own MMD register 3.20 with different PHY address)

PHY	MII	R/W	Description	Default
EEE capability Register				
8~15 1	3.20[15:7]	RO	Reserved Ignore when read	0
8~15 1	3.20.6	RO	10GBASE-KR EEE 1 = EEE is supported for 10GBASE-KR 0 = EEE is not supported for 10GBASE-KR	0
8~15 1	3.20.5	RO	10GBASE-KX4 EEE 1 = EEE is supported for 10GBASE-KX4 0 = EEE is not supported for 10GBASE-KX4	0
8~15 1	3.20.4	RO	1000BASE-KX EEE 1 = EEE is supported for 1000BASE-KX 0 = EEE is not supported for 1000BASE-KX	0
8~15 1	3.20.3	RO	10GBASE-T EEE 1 = EEE is supported for 10GBASE-T 0 = EEE is not supported for 10GBASE-T	0
8~15 1	3.20.2	RO	1000BASE-T EEE 1 = EEE is supported for 1000BASE-T 0 = EEE is not supported for 1000BASE-T	0
8~15 1	3.20.1	RO	100BASE-TX EEE 1 = EEE is supported for 100BASE-TX 0 = EEE is not supported for 100BASE-TX	1
8~15 1	3.20.0	RO	Reserved Ignore when read	0

MMD register 3.22 (Each PHY has its own MMD register 3.22 with different PHY address)

PHY	MII	R/W	Description	Default
EEE wake error count				
8~15 1	3.22[15:0]	RO	EEE wake error count Count wake time faults where IP179N/H fails to complete its normal wake sequence within the time required for the specific PHY type. This register keeps the value before reading the contents of the register.	0x0000

MMD register 7.60 (Each PHY has its own MMD register 7.60 with different PHY address)

PHY	MII	R/W	Description	Default
EEE advertisement Register				
8~15 1	7.60[15:7]	RO	Reserved Ignore when read	0
8~15 1	7.60.6	RO	10GBASE-KR EEE 1 = Advertise that the 10GBASE-KR has EEE capability 0 = Do not advertise that the 10GBASE-KR has EEE capability	0
8~15 1	7.60.5	RO	10GBASE-KX4 EEE 1 = Advertise that the 10GBASE-KX4 has EEE capability 0 = Do not advertise that the 10GBASE-KX4 has EEE capability	0

MMD register 7.60 (Each PHY has its own MMD register 7.60 with different PHY address)

PHY	MII	R/W	Description	Default
8~15 1	7.60.4	RO	1000BASE-KX EEE 1 = Advertise that the 1000BASE-KX has EEE capability 0 = Do not advertise that the 1000BASE-KX has EEE capability	0
8~15 1	7.60.3	RO	10GBASE-T EEE 1 = Advertise that the 10GBASE-T has EEE capability 0 = Do not advertise that the 10GBASE-T has EEE capability	0
8~15 1	7.60.2	RO	1000BASE-T EEE 1 = Advertise that the 1000BASE-T has EEE capability 0 = Do not advertise that the 1000BASE-T has EEE capability	0
8~15 1	7.60.1	R/W	100BASE-TX EEE 1 = Advertise that the 100BASE-TX has EEE capability 0 = Do not advertise that the 100BASE-TX has EEE capability	1
8~15 1	7.60.0	RO	Reserved Ignore when read	0

MMD register 7.61 (Each PHY has its own MMD register 7.61 with different PHY address)

PHY	MII	R/W	Description	Default
EEE link partner ability				
8~15 1	7.61[15:7]	RO	Reserved Ignore when read	0
8~15 1	7.61.6	RO	10GBASE-KR EEE 1 = Link partner is advertising EEE capability for 10GBASE-KR 0 = Link partner is not advertising EEE capability for 10GBASE-KR	0
8~15 1	7.61.5	RO	10GBASE-KX4 EEE 1 = Link partner is advertising EEE capability for 10GBASE-KX4 0 = Link partner is not advertising EEE capability for 10GBASE-KX4	0
8~15 1	7.61.4	RO	1000BASE-KX EEE 1 = Link partner is advertising EEE capability for 1000BASE-KX 0 = Link partner is not advertising EEE capability for 1000BASE-KX	0
8~15 1	7.61.3	RO	10GBASE-T EEE 1 = Link partner is advertising EEE capability for 10GBASE-T 0 = Link partner is not advertising EEE capability for 10GBASE-T	0
8~15 1	7.61.2	RO	1000BASE-T EEE 1 = Link partner is advertising EEE capability for 1000BASE-T 0 = Link partner is not advertising EEE capability for 1000BASE-T	0
8~15 1	7.61.1	RO	100BASE-TX EEE 1 = Link partner is advertising EEE capability for 100BASE-TX 0 = Link partner is not advertising EEE capability for 100BASE-TX	0
8~15 1	7.61.0	RO	Reserved Ignore when read	0

The other Registers are reserved registers. User is inhibited to access to these registers. It may introduce abnormal function to write these registers.

5.5 LED Mode Control Register

MII page3 register16 of PHY0 (9 PHYs share the MII register)

page	MII	R/W	Description	Default
LED Control Register				
3	16[15:14]	R/W	LED_SEL[1:0] LED output mode selection. LED_SEL[1:0]=2'b00: LED mode 0, LED_SEL[1:0]=2'b01: LED mode 1, LED_SEL[1:0]=2'b10: LED mode 2, LED_SEL[1:0]=2'b11: LED mode 3 (default)	11
	16.12	RW	SERIAL_LED_EN 1: supports LED serial mode 0: supports LED direct mode (default)	0
	16.11	RW	SERIAL_LED_MODE 1: supports link LED only 0: supports link, speed, and duplex LED (default)	0
	16.10	RW	Serial upd fast 1:10ms(default) 0:20ms	1

The other Registers are reserved registers. User is inhibited to access to these registers. It may introduce abnormal function to write these registers.

LED mode behavior:

	LED mode 0	LED mode 1	LED mode 2	LED mode 3
LED_SEL[1:0]	00	01	10	11
LED_LINK[8:0]	100M Link + Activity (1: 100M Link fail, 0: 100M Link ok and no activity, flash: 100M Link ok and TX/RX activity) Loop mode: S.O.S.	Link (1: link fail, 0: link ok) Loop mode: S.O.S.	100M Link + Activity (same as mode 0) Loop mode: S.O.S.	Link + Activity (1: link fail, 0: link ok, flash: Link ok and TX/ RX activity) Loop mode: S.O.S.
LED_SPEED[8:0]	flash: Link ok and TX/ RX activity	flash: Link ok and TX/ RX activity	Full/half (1: half, 0: full, flash: collision)	Speed (1: speed=10M, 0: speed=100M)
LED_FULL[8:0]	0: 10M Link ok 1: 100M Link ok	Full/half (same as mode 3)	10M Link + Activity (1: 10M Link fail, 0: 10M Link ok and no activity, flash: 10M Link ok and TX/RX activity)	Full/half (1: half, 0: full, flash: collision)

5.6 WOL+ Control Register

MII page4 register16 (9 PHYs share the MII register)

page	MII	R/W	Description	Default
PHY WOL+ Control Register				
4	16.[15]	RW	WOL+ Interrupt Enable Set high to enable WOL+ interrupt 1=Enable 0=Disable Each PHY address can access the register of the corresponding port.	0
	16.[14]	RW	WOL+ Level Trigger This bit is used to select the output mode of WOL+ interrupt. 1=Level trigger (Low goes high or high goes low when WOL+ interrupt) 0=Edge trigger (Positive pulse or negative pulse when WOL+ interrupt)	1
	16.[13]	RW	WOL+ Positive Trigger This bit is used to select the polarity of WOL+ interrupt. 1=Low goes high or positive pulse 0=High goes low or negative pulse	0
	16.[12]	RW	Sense Link Change Set high to enable WOL+ interrupt when link change is sensing. 1=Enable 0=Disable	0
	16.[11]	RW	Sense Magic Packet Set high to enable WOL+ interrupt when magic packet is receiving. 1=Enable 0=Disable	1
	16.[10]	RW	Sense Any Packet Set high to enable WOL+ interrupt when any packet is receiving. 1=Enable 0=Disable	0
	16.[9]	RW	Sense DUT Set high to enable WOL+ interrupt when DUT is sensing WOL+ event. 1=Enable 0=Disable Each PHY address can access the register of the corresponding port.	1
	16.[8]	RW	WOL+ Down Speed Enable Set high to enable WOL+ down speed function 1=Enable 0=Disable	0
	16.[7:1]	RO	Reserved	0x00
	16.[0]	RO	PHY WOL+ Interrupt Status The status of PHY WOL+ interrupt is based on the setting of Reg16 Page4 Bit14 and Bit13. Each PHY address can access the register of the corresponding port.	1

MII page5 register16 (9 PHYs share the MII register)

page	MII	R/W	Description	Default
PHY WOL+ MAC Address Register 0				
5	16[15:0]	R/W	WOL+ MAC Address 0 (the most significant word) WOL+ MAC Address = {WOL+_MAC_Address_0, WOL+_MAC_Address_1, WOL+_MAC_Address_2}	0x0000

MII page6 register16 (9 PHYs share the MII register)

page	MII	R/W	Description	Default
PHY WOL+ MAC Address Register 1				
6	16[15:0]	R/W	WOL+ MAC Address 1 WOL+ MAC Address = {WOL+_MAC_Address_0, WOL+_MAC_Address_1, WOL+_MAC_Address_2}	0x4600

MII page7 register16 (9 PHYs share the MII register)

page	MII	R/W	Description	Default
PHY WOL+ MAC Address Register 2				
7	16[15:0]	R/W	WOL+ MAC Address 2 (the least significant word) WOL+ MAC Address = {WOL+_MAC_Address_0, WOL+_MAC_Address_1, WOL+_MAC_Address_2}	0x0000

The other Registers are reserved registers. User is inhibited to access to these registers. It may introduce abnormal function to write these registers.

Example 1, Read page3 register16 (Read Data from page3 register16 of PHY address 0):

1. Write 0.20 = 0x0003 //page3
2. Read 0.16 //Read Data from page3 register16
3. Write 0.20 = 0x0000 //restore to page0

Example 2, Write page3 register16 = 0x3400 (Write Data 0x3400 to page3 register16 of PHY address 0):

1. Write 0.20 = 0x0003 //page3
2. Write 0.16 = 0x3400 //Write Data 0x3400 to page3 register16
3. Write 0.20 = 0x0000 //restore to page0

5.7 Page Mode Control Register

MII register 20 (9 PHYs share the MII register)

PHY	MII	R/W	Description	Default
Page Control Register				
8~15 1	20[4:0]	RW	Reg16~31_Page_Sel[4:0]	00000

The other Registers are reserved registers. User is inhibited to access to these registers. It may introduce abnormal function to write these registers.

6 Switch Register Descriptions

The IP179N/H can be configured via external EEPROM interface at boot time. During operation, IP179N/H registers are accessible via SMI interface.

6.1 Switch Register Map

PHY 20	
REG 0	Software Reset
REG 1	Basic Register 0
REG 2	Basic Register 1
REG 3	Basic Register 2
REG 4	Learn/Forward Enable
REG 5	
REG 6	
REG 7	
REG 8	QoS
REG 9	
REG 10	
REG 11	
REG 12	
REG 13	
REG 14	
REG 15	
REG 16	Test Mode
REG 17	
REG 18	
REG 19	
REG 20	
REG 21	
REG 22	
REG 23	
REG 24	
REG 25	
REG 26	
REG 27	
REG 28	
REG 29	
REG 30	
REG 31	

PHY 21	
REG 0	IGMP
REG 1	
REG 2	
REG 3	Age Time
REG 4	
REG 5	Loop Detection
REG 6	
REG 7	
REG 8	MAC Table Accessing
REG 9	
REG 10	
REG 11	
REG 12	
REG 13	
REG 14	Link Aggregation
REG 15	
REG 16	
REG 17	
REG 18	
REG 19	
REG 20	
REG 21	
REG 22	Port Mirror
REG 23	
REG 24	Reserved MAC Address
REG 25	
REG 26	Broadcast Storm Protection
REG 27	
REG 28	Statistics Counter
REG 29	
REG 30	
REG 31	

PHY 22	
REG 0	VLAN Classification
REG 1	
REG 2	VLAN Ingress Rule
REG 3	VLAN Egress Rule
REG 4	
REG 5	
REG 6	
REG 7	Default VLAN Information
REG 8	
REG 9	
REG 10	
REG 11	
REG 12	
REG 13	
REG 14	
REG 15	VLAN Table Enable Mask
REG 16	Port-Based VLAN - VLAN Forward Mask
REG 17	
REG 18	
REG 19	
REG 20	
REG 21	
REG 22	
REG 23	
REG 24	EEE
REG 25	
REG 26	
REG 27	
REG 28	
REG 29	
REG 30	
REG 31	

PHY 23	
REG 0	Port-Based VLAN - Add Tag Mask
REG 1	
REG 2	
REG 3	
REG 4	
REG 5	
REG 6	
REG 7	
REG 8	Port-Based VLAN - Remove Tag Mask
REG 9	
REG 10	
REG 11	
REG 12	
REG 13	
REG 14	
REG 15	PHY Address
REG 16	
REG 17	
REG 18	
REG 19	WoL
REG 20	
REG 21	External PHY Register
REG 22	
REG 23	EEPROM Segment ID
REG 24	
REG 25	
REG 26	External PHY Register
REG 27	
REG 28	
REG 29	
REG 30	
REG 31	EEPROM Segment ID
REG 32	

PHY 24		PHY 25	
REG 0	VLAN Table - VID and FID	REG 0	VLAN Table - Remove Tag Mask
REG 1			
REG 2			
REG 3			
REG 4			
REG 5			
REG 6			
REG 7			
REG 8			
REG 9			
REG 10			
REG 11			
REG 12			
REG 13			
REG 14			
REG 15			
REG 16	VLAN Table - Add Tag Mask	REG 16	VLAN Table - Forward Mask
REG 17			
REG 18			
REG 19			
REG 20			
REG 21			
REG 22			
REG 23			
REG 24			
REG 25			
REG 26			
REG 27			
REG 28			
REG 29			
REG 30			
REG 31			

6.2 Switch Control Register

R/W = Read/Write, SC = Self-Clearing, RO = Read Only

6.2.1 Software Reset

PHY	MII	ROM	R/W	Description	Default
20	0		WO	Software reset register MII register 0 is software reset register. User can reset IP179N/H by writing 55AA to this register.	
	0[0]		RO	PKG_128 0: 88 pins 1: 128 pins	

6.2.2 Switch Basic Registers 0

PHY	MII	ROM	R/W	Description	Default
20	1[15:13]			Reserved	
	1[12]		R/W	ALL_PASS	0x0
	1[11:8]			Reserved	
	1[7]		R/W	TABLE_LOCK Lock MAC table	0x0
	1[6]			Reserved	
	1[5]		R/W	X_EN IEEE 802.3x flow control enable 1: Enable (default) 0: Disable	0x1
	1[4]		R/W	BK_EN, Backpressure enable 1: Enable (default) 0: Disable	0x1
	1[3]		R/W	Drop16 1: Enable 0: Disable (default)	0x0
	1[2]		R/W	TWOPART	0x0
	1[1]		R/W	MODBCK. Turn on modified back off algorithm The maximum back off period is limited to 8-slot time if this function is turned on. 1: Turn on 0: Turn off	0x0
1[0]		R/W	LEARN_DIS_PAUSE PAUSE packet does not perform address learning	0x1	

6.2.3 Switch Basic Registers 1

PHY	MII	ROM	R/W	Description	Default
20	2[15:11]			Reserved	
	2[10:8]		R/W	INT_EVENT Bit 0: Loop detection interrupt Bit 1: WOL+ interrupt Bit 2: Reserved	0x1
	2[7:4]		R/W	LEAKY_VLAN Bit 0: Unicast Address Bit 1: Multicast Address Bit 2: Broadcast Address Bit 3: ARP Address	0x0
	2[3]			Reserved	
	2[2]		R/W	HP_DIS_FLOW_EN Disable flow control when received high priority packet	0x0
	2[1:0]		R/W	LONG_PACKET 2'b00: 1536 bytes (default) 2'b01: 1552 bytes 2'b10: 1522 bytes 2'b11: reserved	0x0

6.2.4 Switch Basic Registers 2

PHY	MII	ROM	R/W	Description	Default
	3[15:7]			Reserved	0x0
	3[6:4]		R/W	FIBER_DUPLEX Fiber duplex setting for each port. 1: Fiber port is full-duplex 0: Fiber port is half-duplex	0x7
	3[3]			Reserved	
	3[2]			Reserved	
	3[1]		R/W	STAG_TX_EN Special tagging for TX enable 1: Enable 0: Disable (default)	0x0
	3[0]		R/W	STAG_RX_EN Special tagging for RX enable 1: Enable 0: Disable (default)	0x0

6.2.5 Learn & Forward Enable Register

PHY	MII	ROM	R/W	Description	Default
20	4[8:0]		R/W	PORT_FWD_EN	0x1FF
	5[8:0]		R/W	PORT_LEARN_EN	0x1FF
	6[8:0]		R/W	PORT_FLOOD_FRM	0x000
	7[15:9]			Reserved	
	7[8]		R/W	CHK_VLAN If CHK_VLAN for a given port is set, frame ignore SMAC learning on that port whose VLAN classification does not include that port in it member set.	0x0
	7[7:6]		R/W	FILTER_MDMAC Filter unknown multicast DMAC 2'b00 : Flooding (default) 2'b01 : Forward to CPU 2'b10 : Discard 2'b11 : Reserved Note : Multicast DMAC does not include broadcast DMAC	0x0
	7[5:4]		R/W	FILTER_UDMAC Filter unknown unicast DMAC 2'b00 : Flooding (default) 2'b01 : Forward to CPU 2'b10 : Discard 2'b11 : Reserved	0x0
	7[3]		R/W	FLUSH_EN Memory flush delete unlink entries	0x1
	7[2]		R/W	AT_STR Address Table Structure 0: 2K Address Table for unicast frame (default) 1: 1K Address Table for unicast frame and 1K Address Table for multicast frame	0x0
	7[1]			IGMP_LEARN_CONSTRAIN 1: SVL 0: IVL	
7[0]		R/W	LEARN_CONSTRAIN Learning Constraint 0 : VLAN information(FID) is not used to create a hash key 1 : VLAN information(FID) is used to create a hash key	0x0	

6.3 QoS

PHY	MII	ROM	R/W	Description	Default
	8[15]		R/W	TOS_OVER_VLAN ToS Precedence over VLAN Priority	0x0
	8[14]			SP_EN Strict Priority Enable	0x0
	8[13:9]			Reserved	
	8[8:0]		R/W	COS_EN Class of Service Enable Frame Based QoS	0x000
	9[8:0]		R/W	PORT_PRI_EN Port Based QoS	0x000
	10[8:0]		R/W	PORT_PRI 0: Low priority 1: High priority	0x000
	11[15:8]		R/W	VLAN_PRI2Q To map a VLAN priority to different output queue	0x0
	11[7:4]		R/W	WRR_WEIGHT_1 Queue 0 Weight	0xF
	11[3:0]		R/W	WRR_WEIGHT_0 Queue 0 Weight	0x1
	12[15:0]		R/W	DSCP2Q_0 To map a DSCP to different output queue DSCP to Queue (DSCP 0 ~ F)	0x0000
	13[15:0]		R/W	DSCP2Q_1 DSCP to Queue (DSCP 10 ~ 1F)	0x0000
	14[15:0]		R/W	DSCP2Q_2 DSCP to Queue (DSCP 20 ~ 2F)	0x0000
	15[15:0]		R/W	DSCP2Q_3 DSCP to Queue (DSCP 30 ~ 3F)	0x0000

6.4 Debug Register

6.4.1 Test Mode Register for Debug

PHY	MII	ROM	R/W	Description	Default
20	16[13:4]		R/W	TEST_LATIN (only for PHY test mode)	*
	16[1:0]		R/W	TEST_SEL 0x0: Normal mode 0x1: Switch test mode 0x2: PHY test mode	0x0

6.4.2 MII Loopback for Debug

PHY	MII	ROM	R/W	Description	Default
	17[15:9]			Reserved	
	17[8:0]		R/W	MII_LOOPBACK	0x0

6.5 IGMP Control Registers

6.5.1 Base Control Registers

PHY	MII	ROM	R/W	Description	Default
21	0[15:11]			Reserved	
	0[10]		R/W	FAST_LEAVE	0x1
	0[9]		R/W	MG_INCLUDE_RP Multicast group include router port 1: Enable 0: Disable	0x0
	0[8]		R/W	FLOOD_UNIGMP Flood Unknown IGMP 1: Enable 0: Disable Note – Unknown IGMP is not one of following: 1. General Query 2. Group-Specific Query 3. IGMP Report 4. IGMP Leave	0x0
	0[7]		R/W	FLOOD_IPM_CTRL Flood IP Multicast Control Packet 1: Enable 0: Disable Note – IP multicast control packet: DMAC=01-00-5e-xx-xx-xx, DIP= 224.0.0.x and non-IGMP	0x0
	0[6:5]		R/W	UNIPM_MODE[1:0] Unknown IP Multicast Data Mode 2'b00 : discard 2'b01 : forward to CPU 2'b10 : flood packet 2'b11 : forward to router port Note – IP multicast data packet: DMAC=01-00-5e-xx-xx-xx and DIP=outside 224.0.0.x	0x3
	0[4]		R/W	DISCARD_LEAVE Discard IGMP leave message 1: Enable 0: Disable	0x0
	0[3]		R/W	FLOOD_RPT Flood report message to other ports 1: Enable 0: Disable	0x0

PHY	MII	ROM	R/W	Description	Default
	0[2]		R/W	LRP_NULL_SIP Learn router port even if source IP address is 0.0.0.0 1: Enable 0: Disable It is valid only if LEARN_RP is enabled	0x0
	0[1]		R/W	LEARN_RP Learn Router Port 1: Enable 0: Disable (default)	0x0
	0[0]		R/W	HW_IGMP_EN Hardware IGMP Enable 1: Enable 0: Disable (default)	0x0

6.5.2 Router Port Timeout

PHY	MII	ROM	R/W	Description	Default
21	1[8:0]		R/W	DEFAULT_ROUTER_PORT[8:0]	0x000
	2[11:4]			ROUTER_TIMEOUT_VLE[7:0] Router Timeout Value Router Timeout = ROUTER_TIMEOUT_UNIT * ROUTER_TIMEOUT_VLE	0x000
	2[1:0]			ROUTER_TIMEOUT_UNIT[1:0] 2'b00: 1 second 2'b01: 2 second 2'b10: 4 second 2'b11: 8 second	0x0

6.5.3 Group Port Timeout

PHY	MII	ROM	R/W	Description	Default
21	3[11:7]			IGMP_TIMEOUT_VLE[7:0] IGMP Timeout Value IGMP Timeout = IGMP_TIMEOUT_UNIT * IGMP_TIMEOUT_VLE	0x000
	3[1:0]			IGMP_TIMEOUT_UNIT[1:0] IGMP Timeout Unit 2'b00: 1 second 2'b01: 2 second 2'b10: 4 second 2'b11: 8 second	0x0

6.6 Aging Time Registers

PHY	MII	ROM	R/W	Description	Default
21	4[15]		R/W	PORT_MAP_EN If set, the aging module ages entries whose Port matches PORT_MAP	0x0
	4[14]		R/W	FID_EN If set, the aging module ages entries whose FID matches FID_VAL 1: Enable 0: Disable	0x0
	4[13:10]			Reserved	
	4[9:8]			AGE_TIME_UNIT 2'b00 : 1 minutes 2'b01 : 1 second 2'b10 : 10 ms 2'b11 : Fast (MAC table is cleared after about 0.5ms)	0x0
	4[4:0]		R/W	AGE_TIME_VLE Age Time Value. 5'h00: no aging AGE_TIME= AGE_TIME_UNIT * AGE_TIME_VLE AGE_TIME_UNIT=fast, AGE_TIME_VLE is invalid.	0x5
	5[15:12 0]			FID_VLE[3:0] FID Value	0x0
	5[11:9]			Reserved	
	5[8:0]			PORT_MAP[3:0] Port MAP	0x0

6.7 Loop Detection Registers

PHY	MII	ROM	R/W	Description	Default			
21	6[15]		R/W	LD_EN Loop Detection Enable	*			
				IP179N		IP179H	IP179N	IP179H
				PIN82=0		PIN122=0	PIN82=1	PIN122=1
				Enable		Enable	Disable	Disable
	6[14]			R/W	MAC8_LD_EN MAC 8 Loop Detection Enable	0x0		
	6[13]			R/W	LD_UNIT_SEL 0: 50ms 1: 10s	0x0		
	6[12]			R/W	BLOCK_LP Block Loop Port	0x1		
	6[11:10]				Reserved			
	6[9]			R/W	DIS_RECOVERY Disabled Recovery	0x0		
6[8:0]			RO	LP_MAP Loop Port Map	0x0			
7[15:8]			R/W	Reserved				
7[7:0]			R/W	LD_TIMER Used to set the Loop Detect Packet sending period.	0x20			

6.8 Address Table Accessing Registers

6.8.1 Command Registers

PHY	MII	ROM	R/W	Description	Default
21	8[15]		R/W (SC)	START/DONE To initiate a read or write command when set as 1. Self-cleared after read or write command is finished 1: start access the address table 0: access operation is completed	0x0
	8[14]		R/W	COMMAND Address Table Command 0x0: read 0x1: write	0x0
	8[13]		R/W	DISPLAY_SRC_ADR Display the source address associated with the source port	0x0
	8[12]		RO	SIP_ADR_VALID	0x0
	8[11]		RO	SMAC_ADR_VALID	0x0
	8[10:0]		R/W	INDEX/SRC_PORT DISPLAY_SRC_ADR=0, the field is termed as INDEX The index selects one of address table entries. DISPLAY_SRC_ADR=1, the field is termed as SRC_PORT Source port	0x000

6.8.2 Data Registers

PHY	MII	ROM	R/W	Description	Default
21	9[15:0]		R/W	MAC[15:0]	0x0000
	10[15:0]		R/W	MAC[31:16]	0x0000
	11[15:0]		R/W	MAC[47:32]	0x0000
	12[15:1 2]		R/W	FID	0x0
	12[11:9]			Reserved	
	12[8:0]		R/W	PORT_MAP	0x000
	13[15]		R/W	STATIC/VALID Unicast address: Static entry Multicast address: Valid entry	0x0
	13[14:1]			Reserved	
	13[0]		R/W	AGE 1: the entry is aged out (only for unicast address)	0x0

6.8.3 IGMP Data Registers

PHY	MII	ROM	R/W	Description	Default
21	9[15:0]		R/W	MAC[15:0]	0x0000
	10[6:0]		R/W	MAC[22:16]	0x0000
	11[15:0]		R/W	RESERVED BITS	
	12[15:12]		R/W	FID	0x0
	12[11:9]			Reserved	
	12[8:0]		R/W	PORT_MAP	0x000
	13[15]		R/W	VALID Valid entry	0x0
	13[14]		R/W	IGMP_ENTRY	0x0
	13[13:9]			Reserved	
	13[8:0]		R/W	TIMEOUT 1: the entry is aged out	0x000

6.9 Port Trunk Registers

6.9.1 Trunk Groups

PHY	MII	ROM	R/W	Description	Default
21	14[14:13]			AGGR_MODE Aggregation Mode 2'b00: Source port 2'b01: SMAC 2'b10: DMAC 2'b11: SMAC xor DMAC	0x0
	14[8:0]		R/W	AGGR_GROUP_0	0x000
	15[8:0]		R/W	AGGR_GROUP_1	0x000

6.9.2 Trunk Table

PHY	MII	ROM	R/W	Description	Default
21	16[8:0]		R/W	AGGR_0 Only one port can be selected in each aggregation group	0x1FF
	17[8:0]		R/W	AGGR_1	0x1FF
	18[8:0]		R/W	AGGR_2	0x1FF
	19[8:0]		R/W	AGGR_3	0x1FF
	20[8:0]		R/W	AGGR_4	0x1FF
	21[8:0]		R/W	AGGR_5	0x1FF
	22[8:0]		R/W	AGGR_6	0x1FF
	23[8:0]		R/W	AGGR_7	0x1FF

6.10 Port Mirror Registers

PHY	MII	ROM	R/W	Description	Default
21	24[15]		R/W	MIR_EN	0x0
	24[14]		R/W	ONLY_MIR_PKT Mirror port only transmit the mirrored packets	0x0
	24[13:12]		R/W	MIR_MODE Captured Condition 0x0: mirror RX (default) 0x1: mirror TX 0x2: mirror RX and TX 0x3: mirror RX or TX	0x0
	24[11:9]			Reserved	
	24[8:0]		R/W	MIR_PORT	0x000
	25[8:0]		R/W	MIR_RX	0x000
	26[8:0]		R/W	MIR_TX	0x000

6.11 Reserved MAC Registers

PHY	MII	ROM	R/W	Description	Default
21	27[15:12]			Reserved	
	27[11]		R/W	BLK_RSVD_MAC[11] 01-80-C2-00-00-30 ~ 01-80-C2-00-00-FF	0x0
	27[10]		R/W	BLK_RSVD_MAC[10] 01-80-C2-00-00-22 ~ 01-80-C2-00-00-2F	0x0
	27[9]		R/W	BLK_RSVD_MAC[9] 01-80-C2-00-00-21	0x0
	27[8]		R/W	BLK_RSVD_MAC[8] 01-80-C2-00-00-20	0x0
	27[7]		R/W	BLK_RSVD_MAC[7] 01-80-C2-00-00-11 ~ 01-80-C2-00-00-1F	0x0
	27[6]		R/W	BLK_RSVD_MAC[6] 01-80-C2-00-00-10	0x0
	27[5]		R/W	BLK_RSVD_MAC[5] 01-80-C2-00-00-04 ~ 01-80-C2-00-00-0D 01-80-C2-00-00-0F	0x0
	27[4]		R/W	BLK_RSVD_MAC[4] 01-80-C2-00-00-0E	0x0
	27[3]		R/W	BLK_RSVD_MAC[3] 01-80-C2-00-00-03	0x0
	27[2]		R/W	BLK_RSVD_MAC[2] 01-80-C2-00-00-02	0x0
	27[1]		R/W	BLK_RSVD_MAC[1] 01-80-C2-00-00-01	0x1

PHY	MII	ROM	R/W	Description	Default
	27[0]		R/W	BLK_RSVD_MAC[0] 01-80-C2-00-00-00 0x0: forward 0x1: discard	0x0

6.12 Broadcast Storm Protection

PHY	MII	ROM	R/W	Description	Default
21	28[15]		R/W	BF_STM_EN, Broadcast storm enable 1: Enable Switch drops the incoming packet if the number of broadcast packet in queue is over the threshold. 0: Disable	0x0
	28[14]		R/W	BF_FFFF_ONLY 1: Broadcast DA=FFFFFFFF 0: Broadcast DA=FFFFFFFF and multicast frame	0x0
	28[10:0]		R/W	BF_THR[10:0]. Broadcast storm threshold During Time intervals, the amount of broadcast traffic exceeded the configured threshold would be dropped. T=1ms for 1000Mbps; T=10ms for 100Mbps; T=100ms for 10Mbps	0x100

6.13 Statistics Counters Registers

PHY	MII	ROM	R/W	Description	Default
21	29[15]		R/W (SC)	CLR_STATS_CNT	0x0
	29[14:1 1]			Reserved	
	29[10:8]			SEL_STATS_CNT Statistics Counter Selection 0x0: FCS error packet counter 0x1: Received packet counter 0x2: Transmitted packet counter 0x3: Global FCS error packet counter	0x0
	29[7:4]			Reserved	
	29[3:0]		R/W	SEL_STATS_PORT Statistics Port Selection	0x0
	30		RO	STATS_CNT_LWORD	0x0
	31		RO	STATS_CNT_HWORD	0x0

6.14 VLAN Registers

6.14.1 VLAN Classification

PHY	MII	ROM	R/W	Description	Default
22	0[13:12]			UNVID_MODE[1:0] Unknown-VID Mode 2'b00 : discard 2'b01 : forward to CPU 2'b10 : flood packet 2'b11 : reserved	0x0
	0[8:0]		R/W	VLAN_MODE[8:0] VLAN Mode setting associated with each port 0 : Port-based VLAN (default) 1 : Tagged-based VLAN	0x000
	1[8:0]		R/W	VLAN_CLS[8:0] VLAN Classification associated with each port Only active at tagged-based VLAN 0 : Use VID to classify VLAN - use VID to search VLAN table if tag packet - use PVID to search VLAN table if untag packet 1 : Use PVID to classify VLAN - always use PVID to search VLAN table	0x000

6.14.2 VLAN Ingress Rule

PHY	MII	ROM	R/W	Description	Default
22	2[13:12]		R/W	ACCEPTABLE_FRM_TYPE[1:0] Acceptable Frame Type 2'b00 Admit all frames (default) 2'b01 Admit VLAN-tagged frames 2'b10 Admit Untagged frames 2'b11 Reserved	0x0
	2[8:0]		R/W	VLAN_INGRESS_FILTER[8:0] VLAN Ingress Filter associated with each port If ingress filter for a given port is set, frame shall discard on that port whose VLAN classification does not include that port in it member set.	0x1FF

6.14.3 VLAN Egress Rule

PHY	MII	ROM	R/W	Description	Default
22	3[8:0]		R/W	KEEP_TAG[8:0] (QinQ register) Keep VLAN Tag Header 0: Disable 1: Keep VLAN tag header from frame. If frames transmission on a egress port tags frame, the frame may contain two tag headers	0x000

PHY	MII	ROM	R/W	Description	Default
	4[8:0]		R/W	IGMP_IGNORE_MEMBER[5:0] IGMP Ignore member set Ignore member set for frame with DMAC inside 01-00-5e-xx-xx-xx	0x000

6.14.4 Default VLAN Information

PHY	MII	ROM	R/W	Description	Default
22	5[15:0]		R/W	TPID_VALUE[15:0] 802.1Q Tag Protocol Type	0x8100

PHY	MII	ROM	R/W	Description	Default
22	6[15:0]		R/W	VLAN_INFO_0. Port 0 default VLAN information value (PVID_0)	0x0001
	7[15:0]		R/W	VLAN_INFO_1. Port 0 default VLAN information value (PVID_1)	0x0001
	8[15:0]		R/W	VLAN_INFO_2. Port 0 default VLAN information value (PVID_2)	0x0001
	9[15:0]		R/W	VLAN_INFO_3. Port 0 default VLAN information value (PVID_3)	0x0001
	10[15:0]		R/W	VLAN_INFO_4. Port 0 default VLAN information value (PVID_4)	0x0001
	11[15:0]		R/W	VLAN_INFO_5. Port 0 default VLAN information value (PVID_5)	0x0001
	12[15:0]		R/W	VLAN_INFO_6. Port 0 default VLAN information value (PVID_6)	0x0001
	13[15:0]		R/W	VLAN_INFO_7. Port 0 default VLAN information value (PVID_7)	0x0001
	14[15:0]		R/W	VLAN_INFO_8. Port 0 default VLAN information value (PVID_8)	0x0001

6.14.5 VLAN Entry

PHY	MII	ROM	R/W	Description	Default
22	15[15:0]		R/W	VLAN_VALID[15:0] VALN filter is valid. The VALN filter entry X is valid associated with the VID_X.	0x0000

6.14.6 Port-Based VLAN – Forward Mask

PHY	MII	ROM	R/W	Description	Default				
22	16[8:0]		R/W	VLAN_MEMBER_SET_0 Bits [8:0] correspond to port[8:0]	*				
				IP179N		IP179H	IP179N	IP179H	
				PIN80=0		PIN120=0	PIN80=1	PIN120=1	
				0x101		0x101	0x1ff	0x1ff	
	17[8:0]			R/W	VLAN_MEMBER_SET_1 Bits [8:0] correspond to port[8:0]	*			
					IP179N		IP179H	IP179N	IP179H
					PIN80=0		PIN120=0	PIN80=1	PIN120=1
					0x102		0x102	0x1ff	0x1ff
	18[8:0]			R/W	VLAN_MEMBER_SET_2 Bits [8:0] correspond to port[8:0]	*			
					IP179N		IP179H	IP179N	IP179H
					PIN80=0		PIN120=0	PIN80=1	PIN120=1
					0x104		0x104	0x1ff	0x1ff
19[8:0]			R/W	VLAN_MEMBER_SET_3 Bits [8:0] correspond to port[8:0]	*				
				IP179N		IP179H	IP179N	IP179H	
				PIN80=0		PIN120=0	PIN80=1	PIN120=1	
				0x108		0x108	0x1ff	0x1ff	
20[8:0]			R/W	VLAN_MEMBER_SET_4 Bits [8:0] correspond to port[8:0]	*				
				IP179N		IP179H	IP179N	IP179H	
				PIN80=0		PIN120=0	PIN80=1	PIN120=1	
				0x110		0x110	0x1ff	0x1ff	
21[8:0]			R/W	VLAN_MEMBER_SET_5 Bits [8:0] correspond to port[8:0]	*				
				IP179N		IP179H	IP179N	IP179H	
				PIN80=0		PIN120=0	PIN80=1	PIN120=1	
				0x120		0x120	0x1ff	0x1ff	
22[8:0]			R/W	VLAN_MEMBER_SET_6 Bits [8:0] correspond to port[8:0]	*				
				IP179N		IP179H	IP179N	IP179H	
				PIN80=0		PIN120=0	PIN80=1	PIN120=1	
				0x140		0x140	0x1ff	0x1ff	

PHY	MII	ROM	R/W	Description	Default			
	23[8:0]		R/W	VLAN_MEMBER_SET_7 Bits [8:0] correspond to port[8:0]	*			
				IP179N		IP179H	IP179N	IP179H
				PIN80=0		PIN120=0	PIN80=1	PIN120=1
				0x180		0x180	0x1ff	0x1ff
	24[8:0]		R/W	VLAN_MEMBER_SET_8 Bits [8:0] correspond to port[8:0]	*			
				IP179N		IP179H	IP179N	IP179H
				PIN80=0		PIN120=0	PIN80=1	PIN120=1
			0x1ff	0x1ff	0x1ff	0x1ff		

6.14.7 Port-Based VLAN – Add Tag Mask

PHY	MII	ROM	R/W	Description	Default
23	0[8:0]		R/W	VLAN_ADD_MASK_0 Bits [8:0] correspond to port[8:0]	0x000
	1[8:0]		R/W	VLAN_ADD_MASK_1 Bits [8:0] correspond to port[8:0]	0x000
	2[8:0]		R/W	VLAN_ADD_MASK_2 Bits [8:0] correspond to port[8:0]	0x000
	3[8:0]		R/W	VLAN_ADD_MASK_3 Bits [8:0] correspond to port[8:0]	0x000
	4[8:0]		R/W	VLAN_ADD_MASK_4 Bits [8:0] correspond to port[8:0]	0x000
	5[8:0]		R/W	VLAN_ADD_MASK_5 Bits [8:0] correspond to port[8:0]	0x000
	6[8:0]		R/W	VLAN_ADD_MASK_6 Bits [8:0] correspond to port[8:0]	0x000
	7[8:0]		R/W	VLAN_ADD_MASK_7 Bits [8:0] correspond to port[8:0]	0x000
	8[8:0]		R/W	VLAN_ADD_MASK_8 Bits [8:0] correspond to port[8:0]	0x000

6.14.8 Port-Based VLAN – Remove Tag Mask

PHY	MII	ROM	R/W	Description	Default
23	16[8:0]		R/W	VLAN_REMOVE_MASK_0 Bits [8:0] correspond to port[8:0]	0x000
	17[8:0]		R/W	VLAN_REMOVE_MASK_1 Bits [8:0] correspond to port[8:0]	0x000
	18[8:0]		R/W	VLAN_REMOVE_MASK_2 Bits [8:0] correspond to port[8:0]	0x000
	19[8:0]		R/W	VLAN_REMOVE_MASK_3 Bits [8:0] correspond to port[8:0]	0x000
	20[8:0]		R/W	VLAN_REMOVE_MASK_4 Bits [8:0] correspond to port[8:0]	0x000
	21[8:0]		R/W	VLAN_REMOVE_MASK_5 Bits [8:0] correspond to port[8:0]	0x000
	22[8:0]		R/W	VLAN_REMOVE_MASK_6 Bits [8:0] correspond to port[8:0]	0x000
	23[8:0]		R/W	VLAN_REMOVE_MASK_7 Bits [8:0] correspond to port[8:0]	0x000
	24[8:0]		R/W	VLAN_REMOVE_MASK_8 Bits [8:0] correspond to port[8:0]	0x000

6.14.9 Tagged-Based VLAN – Identifier Register

PHY	MII	ROM	R/W	Description	Default
24	0[15:12]		R/W	FID_0 VLAN field identifier associated with VALN 0.	0x0
	0[11:0]		R/W	VID_0 VLAN identifier associated with VALN 0.	0x000
	1[15:12]		R/W	FID_1 VLAN field identifier associated with VALN 1.	0x0
	1[11:0]		R/W	VID_1 VLAN identifier associated with VALN 1.	0x000
	2[15:12]		R/W	FID_2 VLAN field identifier associated with VALN 2.	0x0
	2[11:0]		R/W	VID_2 VLAN identifier associated with VALN 2.	0x000
	3[15:12]		R/W	FID_3 VLAN field identifier associated with VALN 3.	0x0
	3[11:0]		R/W	VID_3 VLAN identifier associated with VALN 3.	0x000
	4[15:12]		R/W	FID_4 VLAN field identifier associated with VALN 4.	0x0
	4[11:0]		R/W	VID_4 VLAN identifier associated with VALN 4.	0x000
	5[15:12]		R/W	FID_5 VLAN field identifier associated with VALN 5.	0x0
	5[11:0]		R/W	VID_5 VLAN identifier associated with VALN 5.	0x000
	6[15:12]		R/W	FID_6 VLAN field identifier associated with VALN 6.	0x0
	6[11:0]		R/W	VID_6 VLAN identifier associated with VALN 6.	0x000
	7[15:12]		R/W	FID_7 VLAN field identifier associated with VALN 7.	0x0
	7[11:0]		R/W	VID_7 VLAN identifier associated with VALN 7.	0x000
	8[15:12]		R/W	FID_8 VLAN field identifier associated with VALN 8.	0x0
	8[11:0]		R/W	VID_8 VLAN identifier associated with VALN 8.	0x000
	9[15:12]		R/W	FID_9 VLAN field identifier associated with VALN 9.	0x0
	9[11:0]		R/W	VID_9 VLAN identifier associated with VALN 9.	0x000
10[15:12]		R/W	FID_A VLAN field identifier associated with VALN A.	0x0	
10[11:0]		R/W	VID_A VLAN identifier associated with VALN A.	0x000	

PHY	MII	ROM	R/W	Description	Default
	11[15:12]		R/W	FID_B VLAN field identifier associated with VALN B.	0x0
	11[11:0]		R/W	VID_B VLAN identifier associated with VALN B.	0x000
	12[15:12]		R/W	FID_C VLAN field identifier associated with VALN C.	0x0
	12[11:0]		R/W	VID_C VLAN identifier associated with VALN C.	0x000
	13[15:12]		R/W	FID_D VLAN field identifier associated with VALN D.	0x0
	13[11:0]		R/W	VID_D VLAN identifier associated with VALN D.	0x000
	14[15:12]		R/W	FID_E VLAN field identifier associated with VALN E.	0x0
	14[11:0]		R/W	VID_E VLAN identifier associated with VALN E.	0x000
	15[15:12]		R/W	FID_F VLAN field identifier associated with VALN F.	0x0
	15[11:0]		R/W	VID_F VLAN identifier associated with VALN F.	0x000

6.14.10 Tagged-Based VLAN – Add Tag Control Register

PHY	MII	ROM	R/W	Description	Default
24	16[8:0]		R/W	<p>ADD_TAG_0 Add VLAN tag Port Y adds a VLAN tag defined in VLAN_TAG_Y to each outgoing packet associated with the VID_0.</p> <p>Bit 0 1: port 0 adds a VLAN tag to each outgoing packet. 0: port 0 doesn't add a VLAN tag.</p> <p>Bit 1 1: port 1 adds a VLAN tag to each outgoing packet. 0: port 1 doesn't add a VLAN tag.</p> <p>Bit 2 1: port 2 adds a VLAN tag to each outgoing packet. 0: port 2 doesn't add a VLAN tag.</p> <p>Bit 3 1: port 3 adds a VLAN tag to each outgoing packet. 0: port 3 doesn't add a VLAN tag.</p> <p>Bit 4 1: port 4 adds a VLAN tag to each outgoing packet. 0: port 4 doesn't add a VLAN tag.</p> <p>Bit 5 1: port 5 adds a VLAN tag to each outgoing packet. 0: port 5 doesn't add a VLAN tag.</p> <p>Bit 6 1: port 6 adds a VLAN tag to each outgoing packet. 0: port 6 doesn't add a VLAN tag.</p> <p>Bit 7 1: port 7 adds a VLAN tag to each outgoing packet. 0: port 7 doesn't add a VLAN tag.</p> <p>Bit 8 1: port 8 adds a VLAN tag to each outgoing packet. 0: port 8 doesn't add a VLAN tag.</p>	0x000

PHY	MII	ROM	R/W	Description	Default
	17[8:0]		R/W	ADD_TAG_1 Add VLAN tag Port Y adds a VLAN tag defined in VLAN_TAG_Y to each outgoing packet associated with the VID_1.	0x000
	18[8:0]		R/W	ADD_TAG_2 Add VLAN tag Port Y adds a VLAN tag defined in VLAN_TAG_Y to each outgoing packet associated with the VID_2.	0x000
	19[8:0]		R/W	ADD_TAG_3 Add VLAN tag Port Y adds a VLAN tag defined in VLAN_TAG_Y to each outgoing packet associated with the VID_3.	0x000
	20[8:0]		R/W	ADD_TAG_4 Add VLAN tag Port Y adds a VLAN tag defined in VLAN_TAG_Y to each outgoing packet associated with the VID_4.	0x000
	21[8:0]		R/W	ADD_TAG_5 Add VLAN tag Port Y adds a VLAN tag defined in VLAN_TAG_Y to each outgoing packet associated with the VID_5.	0x000
	22[8:0]		R/W	ADD_TAG_6 Add VLAN tag Port Y adds a VLAN tag defined in VLAN_TAG_Y to each outgoing packet associated with the VID_6.	0x000
	23[8:0]		R/W	ADD_TAG_7 Add VLAN tag Port Y adds a VLAN tag defined in VLAN_TAG_Y to each outgoing packet associated with the VID_7.	0x000
	24[8:0]		R/W	ADD_TAG_8 Add VLAN tag Port Y adds a VLAN tag defined in VLAN_TAG_Y to each outgoing packet associated with the VID_8.	0x000
	25[8:0]		R/W	ADD_TAG_9 Add VLAN tag Port Y adds a VLAN tag defined in VLAN_TAG_Y to each outgoing packet associated with the VID_9.	0x000
	26[8:0]		R/W	ADD_TAG_A Add VLAN tag Port Y adds a VLAN tag defined in VLAN_TAG_Y to each outgoing packet associated with the VID_A.	0x000
	27[8:0]		R/W	ADD_TAG_B Add VLAN tag Port Y adds a VLAN tag defined in VLAN_TAG_Y to each outgoing packet associated with the VID_B.	0x000
	28[8:0]		R/W	ADD_TAG_C Add VLAN tag Port Y adds a VLAN tag defined in VLAN_TAG_Y to each outgoing packet associated with the VID_C.	0x000

PHY	MII	ROM	R/W	Description	Default
	29[8:0]		R/W	ADD_TAG_D Add VLAN tag Port Y adds a VLAN tag defined in VLAN_TAG_Y to each outgoing packet associated with the VID_D.	0x000
	30[8:0]		R/W	ADD_TAG_E Add VLAN tag Port Y adds a VLAN tag defined in VLAN_TAG_Y to each outgoing packet associated with the VID_E.	0x000
	31[8:0]		R/W	ADD_TAG_F Add VLAN tag Port Y adds a VLAN tag defined in VLAN_TAG_Y to each outgoing packet associated with the VID_F.	0x000

6.14.11 Tagged-Based VLAN – Remove Tag Control Register

PHY	MII	ROM	R/W	Description	Default	
25	0[8:0]		R/W	REMOVE_TAG_0 Remove VLAN tag Port Y removes VLAN tag to each outgoing packet associated with the VID_0.	0x000	
				Bit 0		1: port 0 removes the VLAN tag of each outgoing packet. 0: port 0 doesn't remove the VLAN tag of each outgoing packet.
				Bit 1		1: port 1 removes the VLAN tag of each outgoing packet. 0: port 1 doesn't remove the VLAN tag of each outgoing packet.
				Bit 2		1: port 2 removes the VLAN tag of each outgoing packet. 0: port 2 doesn't remove the VLAN tag of each outgoing packet.
				Bit 3		1: port 3 removes the VLAN tag of each outgoing packet. 0: port 3 doesn't remove the VLAN tag of each outgoing packet.
				Bit 4		1: port 4 removes the VLAN tag of each outgoing packet. 0: port 4 doesn't remove the VLAN tag of each outgoing packet.
				Bit 5		1: port 5 removes the VLAN tag of each outgoing packet. 0: port 5 doesn't remove the VLAN tag of each outgoing packet.
				Bit 6		1: port 6 removes the VLAN tag of each outgoing packet. 0: port 6 doesn't remove the VLAN tag of each outgoing packet.
				Bit 7		1: port 7 removes the VLAN tag of each outgoing packet. 0: port 7 doesn't remove the VLAN tag of each outgoing packet.
				Bit 8		1: port 8 removes the VLAN tag of each outgoing packet. 0: port 8 doesn't remove the VLAN tag of each outgoing packet.
	1[8:0]		R/W	REMOVE_TAG_1 Remove VLAN tag Port Y removes VLAN tag to each outgoing packet associated with the VID_1.	0x000	
	2[8:0]		R/W	REMOVE_TAG_2 Remove VLAN tag Port Y removes VLAN tag to each outgoing packet associated with the VID_2.	0x000	
	3[8:0]		R/W	REMOVE_TAG_3 Remove VLAN tag Port Y removes VLAN tag to each outgoing packet associated with the VID_3.	0x000	

PHY	MII	ROM	R/W	Description	Default
	4[8:0]		R/W	REMOVE_TAG_4 Remove VLAN tag Port Y removes VLAN tag to each outgoing packet associated with the VID_4.	0x000
	5[8:0]		R/W	REMOVE_TAG_5 Remove VLAN tag Port Y removes VLAN tag to each outgoing packet associated with the VID_5.	0x000
	6[8:0]		R/W	REMOVE_TAG_6 Remove VLAN tag Port Y removes VLAN tag to each outgoing packet associated with the VID_6.	0x000
	7[8:0]		R/W	REMOVE_TAG_7 Remove VLAN tag Port Y removes VLAN tag to each outgoing packet associated with the VID_7.	0x000
	8[8:0]		R/W	REMOVE_TAG_8 Remove VLAN tag Port Y removes VLAN tag to each outgoing packet associated with the VID_8.	0x000
	9[8:0]		R/W	REMOVE_TAG_9 Remove VLAN tag Port Y removes VLAN tag to each outgoing packet associated with the VID_9.	0x000
	10[8:0]		R/W	REMOVE_TAG_A Remove VLAN tag Port Y removes VLAN tag to each outgoing packet associated with the VID_A.	0x000
	11[8:0]		R/W	REMOVE_TAG_B Remove VLAN tag Port Y removes VLAN tag to each outgoing packet associated with the VID_B.	0x000
	12[8:0]		R/W	REMOVE_TAG_C Remove VLAN tag Port Y removes VLAN tag to each outgoing packet associated with the VID_C.	0x000
	13[8:0]		R/W	REMOVE_TAG_D Remove VLAN tag Port Y removes VLAN tag to each outgoing packet associated with the VID_D.	0x000
	14[8:0]		R/W	REMOVE_TAG_E Remove VLAN tag Port Y removes VLAN tag to each outgoing packet associated with the VID_E.	0x000
	15[8:0]		R/W	REMOVE_TAG_F Remove VLAN tag Port Y removes VLAN tag to each outgoing packet associated with the VID_F.	0x000

6.14.12 Tagged-Based VLAN – VLAN Member Register

PHY	MII	ROM	R/W	Description	Default
25	16[8:0]		R/W	VLAN_MEMBER_0 VLAN member port VLAN member port associated with the VID_0.	0x1FF
	17[8:0]		R/W	VLAN_MEMBER_1 VLAN member port VLAN member port associated with the VID_1.	0x1FF
	18[8:0]		R/W	VLAN_MEMBER_2 VLAN member port VLAN member port associated with the VID_2.	0x1FF
	19[8:0]		R/W	VLAN_MEMBER_3 VLAN member port VLAN member port associated with the VID_3.	0x1FF
	20[8:0]		R/W	VLAN_MEMBER_4 VLAN member port VLAN member port associated with the VID_4.	0x1FF
	21[8:0]		R/W	VLAN_MEMBER_5 VLAN member port VLAN member port associated with the VID_5.	0x1FF
	22[8:0]		R/W	VLAN_MEMBER_6 VLAN member port VLAN member port associated with the VID_6.	0x1FF
	23[8:0]		R/W	VLAN_MEMBER_7 VLAN member port VLAN member port associated with the VID_7.	0x1FF
	24[8:0]		R/W	VLAN_MEMBER_8 VLAN member port VLAN member port associated with the VID_8.	0x1FF
	25[8:0]		R/W	VLAN_MEMBER_9 VLAN member port VLAN member port associated with the VID_9.	0x1FF
	26[8:0]		R/W	VLAN_MEMBER_A VLAN member port VLAN member port associated with the VID_A.	0x1FF
	27[8:0]		R/W	VLAN_MEMBER_B VLAN member port VLAN member port associated with the VID_B.	0x1FF
	28[8:0]		R/W	VLAN_MEMBER_C VLAN member port VLAN member port associated with the VID_C.	0x1FF
	29[8:0]		R/W	VLAN_MEMBER_D VLAN member port VLAN member port associated with the VID_D.	0x1FF
30[8:0]		R/W	VLAN_MEMBER_E VLAN member port VLAN member port associated with the VID_E.	0x1FF	

PHY	MII	ROM	R/W	Description	Default
	31[8:0]		R/W	VLAN_MEMBER_F VLAN member port VLAN member port associated with the VID_F.	0x1FF

6.15 EEE Registers

PHY	MII	ROM	R/W	Description	Default			
22	25[15]		R/W	EEE_DIS EEE Disable	*			
				IP179N		IP179H	IP179N	IP179H
				PIN83=0		PIN123=0	PIN83=1	PIN123=1
				Enable		Enable	Disable	Disable
	25[8:0]		R/W	EEE_EN	0x1FF			
	26[15:1 4]		R/W	SLEEP_TIME_UNIT 0x0: 1s 0x1: 1ms 0x2: 1us	0x2			
	26[13:1 2]			WAKE_TIME_UNIT 0x0: 1s 0x1: 1ms 0x2: 1us	0x2			
	26[11:0]		R/W	SLEEP_TIME The time to sleep = SLEEP_TIME_UNIT * SLEEP_TIME	0xF			
	27[15:8]		R/W	WAKE_TIME_P1	0x23			
	27[7:0]		R/W	WAKE_TIME_P0 Wake Up Time for Port 0 The time to wake = WAKE_TIME_UNIT_P0 * WAKE_TIME_P0 The time is between when switch de-assert LPI and when it can send data.	0x23			
	28[15:8]		R/W	WAKE_TIME_P3	0x23			
	28[7:0]		R/W	WAKE_TIME_P2	0x23			
	29[15:8]		R/W	WAKE_TIME_P5	0x23			
	29[7:0]		R/W	WAKE_TIME_P4	0x23			
	30[15:8]		R/W	WAKE_TIME_P7	0x23			
	30[7:0]		R/W	WAKE_TIME_P6	0x23			
	31[7:0]		R/W	WAKE_TIME_P8	0x23			

6.16 RGMII Driving Capability Registers

PHY	MII	ROM	R/W	Description	Default			
23	11[14:12]		R/W	RGMII_TXDATA_DRIVE	0x6			
				RGMII TXD[3:0] driving capability selection				
				Drive[2:0]		3.3V	2.5V	1.8V
				000		6.01 mA	4.71 mA	3.175 mA
001	12.02 mA	9.43 mA	6.35 mA					
010	18.03 mA	14.15 mA	9.525 mA					
011	24.03 mA	18.87 mA	12.7 mA					
100	30.04 mA	23.58 mA	15.87 mA					
101	36.05 mA	28.3 mA	19.05 mA					
110	39.06 mA	30.66 mA	20.64 mA					
111	42.06 mA	33.02 mA	22.22 mA					
	11[10:8]		R/W	RGMII_TXCLK_DRIVE	0x6			
				RGMII TX_CLK driving capability selection				
				Drive[2:0]		3.3V	2.5V	1.8V
				000		6.01 mA	4.71 mA	3.175 mA
001	12.02 mA	9.43 mA	6.35 mA					
010	18.03 mA	14.15 mA	9.525 mA					
011	24.03 mA	18.87 mA	12.7 mA					
100	30.04 mA	23.58 mA	15.87 mA					
101	36.05 mA	28.3 mA	19.05 mA					
110	39.06 mA	30.66 mA	20.64 mA					
111	42.06 mA	33.02 mA	22.22 mA					
	11[6:4]		R/W	RGMII_RXDATA_DRIVE	0x6			
				RGMII RXD[3:0] driving capability selection				
				Drive[2:0]		3.3V	2.5V	1.8V
				000		6.01 mA	4.71 mA	3.175 mA
001	12.02 mA	9.43 mA	6.35 mA					
010	18.03 mA	14.15 mA	9.525 mA					
011	24.03 mA	18.87 mA	12.7 mA					
100	30.04 mA	23.58 mA	15.87 mA					
101	36.05 mA	28.3 mA	19.05 mA					
110	39.06 mA	30.66 mA	20.64 mA					
111	42.06 mA	33.02 mA	22.22 mA					
	11[2:0]		R/W	RGMII_RXCLK_DRIVE	0x6			
				RGMII RX_CLK driving capability selection				
				Drive[2:0]		3.3V	2.5V	1.8V
				000		6.01 mA	4.71 mA	3.175 mA
001	12.02 mA	9.43 mA	6.35 mA					
010	18.03 mA	14.15 mA	9.525 mA					
011	24.03 mA	18.87 mA	12.7 mA					
100	30.04 mA	23.58 mA	15.87 mA					
101	36.05 mA	28.3 mA	19.05 mA					
110	39.06 mA	30.66 mA	20.64 mA					
111	42.06 mA	33.02 mA	22.22 mA					

PHY	MII	ROM	R/W	Description	Default
	12[15:0]			Reserved	
	13[15:0]			Reserved	

6.17 Miscellaneous

PHY	MII	ROM	R/W	Description	Default
23	14[15:1]			Reserved	
	14[0]		R/W	IGMP_EN Setting IGMP_EN=1 will auto-configure register 21.0-3, to enable hardware IGMP function.	0x0

6.18 PHY Address

PHY	MII	ROM	R/W	Description	Default
23	25[15:12]		R/W	PHY_Address_3	0x0b
	25[11:8]		R/W	PHY_Address_2	0x0a
	25[7:4]		R/W	PHY_Address_1	0x09
	25[3:0]		R/W	PHY_Address_0	0x08
	26[15:12]		R/W	PHY_Address_7	0x0f
	26[11:8]		R/W	PHY_Address_6	0x0e
	26[7:4]		R/W	PHY_Address_5	0x0d
	26[3:0]		R/W	PHY_Address_4	0x0c
	27[3:0]		R/W	PHY_Address_8	0x01

6.19 External PHY Register

6.19.1 External PHY Control Register 0

PHY	MII	ROM	R/W	Description	Default				
23	29[15]		R/W	Reserved					
	29[14]		R/W	TX_INV Inverted TX_CLK	0x0				
	29[13:12]		R/W	TX_DLY TX_CLK delay selection 0x0: delay 0ns 0x1: delay 1ns 0x2: delay 2ns 0x3: delay 3ns	IP179N	*			
					IP179H				
					PIN76=1		PIN115=1	PIN76=0	PIN115=0
					Default=0x2		Default=0x2	Default=0x0	Default=0x0
	29[10]		R/W	RX_INV Inverted RX_CLK	0x0				
	29[9:8]		R/W	RX_DLY RX_CLK delay selection 0x0: delay 0ns 0x1: delay 1ns 0x2: delay 2ns 0x3: delay 3ns	IP179N	*			
					IP179H				
					PIN77=1		PIN116=1	PIN77=0	PIN116=0
					Default=0x2		Default=0x2	Default=0x0	Default=0x0
	29[7]		R/W	MII0_MAC_MODE 1: MII0 works as a MAC and should be connected to an external PHY. 0: MII0 works as a PHY and should be connected to an external MAC device. It is only valid in MII Mode	0x0				
29[6]		R/W	FORCE_DUPLEX	0x1					
29[5]		R/W	FORCE_TX_PAUSE	0x1					
29[4]		R/W	FORCE_RX_PAUSE	0x1					

PHY	MII	ROM	R/W	Description	Default
	29[3:2]		R/W	FORCE_SPEED 0x0: 10Mbps 0x1: 100Mbps 0x2: 1000Mbps If EXTMII_MODE=RGMII then FORCE_SPEED=0x2 If EXTMII_MODE=RMII/MII then FORCE_SPEED=0x1	*
	29[1:0]		R/W	EXTMII_MODE[1:0] 0x0: Disable (IP179N/H) 0x1: RMII (IP179N/H) 0x2: MII (IP179H) 0x3: RGMII (IP179H) Bits [1:0] correspond to IP179N pin84 & pin85 or IP179H pin 124 & pin125, respectively.	*

6.19.2 External PHY Control Register 1

PHY	MII	ROM	R/W	Description	Default
23	30[15]		R/W	DISPLAY_STATUS Display Link Status	0x0
	30[14]			Reserved	
	30[13]		RO	STATUS_VALID	
	30[12]		RO	LINK_UP	
	30[11]		R/W	EEE_1000	0x1
	30[10]		R/W	EEE_100	0x1
	30[9]		R/W	PAUSE_ON	0x1
	30[8]		R/W	SP1000F 100Mbps, Full Duplex	0x1
	30[7]		R/W	SP100F 100Mbps, Full Duplex	0x1
	30[6]		R/W	SP100H 100Mbps, Half Duplex	0x1
	30[5]		R/W	SP10F 10Mbps, Full Duplex	0x1
	30[4]		R/W	SP10H 10Mbps, Half Duplex	0x1
	30[3:0]		R/W	EXT_PHY_ADR	0x0

6.20 EEPROM Segment

PHY	MII	ROM	R/W	Description	Default
23	31[15:3]			Reserved	
	31[2]		RW	EE_SEGM	
	31[1]			Reserved	
	31[0]		RO	PIN_SEGM	

7 Crystal Specifications

Item	Parameter	Range
1	Nominal Frequency	25.000 MHz
2	Oscillation Mode	Fundamental Mode
3	Frequency Tolerance at 25°C	+/- 50 ppm
4	Temperature Characteristics	+/- 50 ppm
5	Operating Temperature Range	-10°C ~ +70°C
6	Equivalent Series Resistance	40 ohm Max.
7	Drive Level	100 μ W typical
8	Load Capacitance	20 pF
9	Shunt Capacitance	7 pF Max
10	Insulation Resistance	Mega ohm Min./DC 100V
11	Aging Rate A Year	+/- 5 ppm/year

8 Electrical Characteristics

8.1 Absolute Maximum Rating

Stresses exceed those values listed under Absolute Maximum Ratings may cause permanent damage to the device. Functional performance and device reliability are not guaranteed under these conditions. All voltages are specified with respect to GND.

Supply Voltage	-0.3V to 3.63V
Input Voltage	-0.3V to 3.63V
Output Voltage	-0.3V to 3.63V
Storage Temperature		-65°C to 150°C
Ambient Operating Temperature (Ta) (IP179N/H)		0°C to 70°C
IC Junction Temperature (Tj) (IP179N/H)		0°C to 125°C
Ambient Operating Temperature (Ta) (IP179N/HI)		-40°C to 85°C
IC Junction Temperature (Tj) (IP179N/HI)		-40°C to 125°C

8.2 DC Characteristic

Operating Conditions

Parameter	Sym.	Min.	Typ.	Max.	Unit	Conditions
Core Supply Voltage	DVDD	1.02	1.05	1.10	V	
Analog Low Supply Voltage	AV10	1.02	1.05	1.10	V	
LDO output voltage	V _{VREG_LDO}	1.02	1.05	1.10	V	
LDO input voltage	V _{PVDD_LDO}	3.15	3.3	3.45	V	
Analog High Supply Voltage	AV33	3.15	3.3	3.45	V	
I/O pad Supply Voltage	PVDD	3.15	3.3	3.45	V	
RGMI/MI/RMII Supply Voltage	PVDD_RG	3.15 2.38 1.75	3.3 2.5 1.8	3.45 2.62 1.89	V	
MDC/MDIO Supply Voltage	PVDD_RGS MI	3.15 2.38	3.3 2.5	3.45 2.62	V	
Band Gap Supply Voltage	BGVCC	3.15	3.3	3.45	V	
PLL Supply Voltage	PLLVCC	3.15	3.3	3.45	V	
LDO output current	I _{LDO}	-	-	220	mA	
Fiber Rx common mode Voltage	VFRC	-	0.6* AV33	-	V	
Fiber Rx Differential mode Voltage	VFRD	0.4	-	-	V	
Power Consumption	P _{100MF}		1000		mW	All port link 100M Full active
	P _{10MF}		1080			All port link 10M Full active
	P _{IDLE}		450			All port unlink

Input Clock

Parameter	Sym.	Min.	Typ.	Max.	Unit	Conditions
Frequency	F		25		MHz	
Frequency Tolerance	F _T	-50		+50	PPM	

I/O Electrical Characteristics

Parameter	Sym	Min.	Max.	Unit	Conditions
Input Low Voltage -LED PAD direct mode -LED PAD bicolor mode -NOT LED PAD	V _{IL}		0.39*PVDD 0.36*PVDD 0.4*PVDD	V	
Input High Voltage -LED PAD direct mode -LED PAD bicolor mode -NOT LED PAD	V _{IH}	0.58*PVDD 0.58*PVDD 0.6*PVDD		V	
X1 Input Low Voltage	V _{ILosc}		0.6	V	
X1 Input High Voltage	V _{IHosc}	1.5		V	
Output Low Voltage	V _{OL}		0.1*PVDD	V	
Output High Voltage	V _{OH}	0.8*PVDD		V	
RESETB Input Low Voltage	V _{IL}		0.25*PVDD	V	
RESETB Input High Voltage	V _{IH}	0.75*PVDD		V	

RGMI Electrical Characteristics

Parameter	Sym	Min.	Max.	Unit	Conditions
Input Low Voltage PVDD_RG=1.8V PVDD_RG=2.5V PVDD_RG=3.3V	V _{IL}		0.65 1.00 1.32	V	
Input High Voltage PVDD_RG=1.8V PVDD_RG=2.5V PVDD_RG=3.3V	V _{IH}	1.15 1.50 1.98		V	

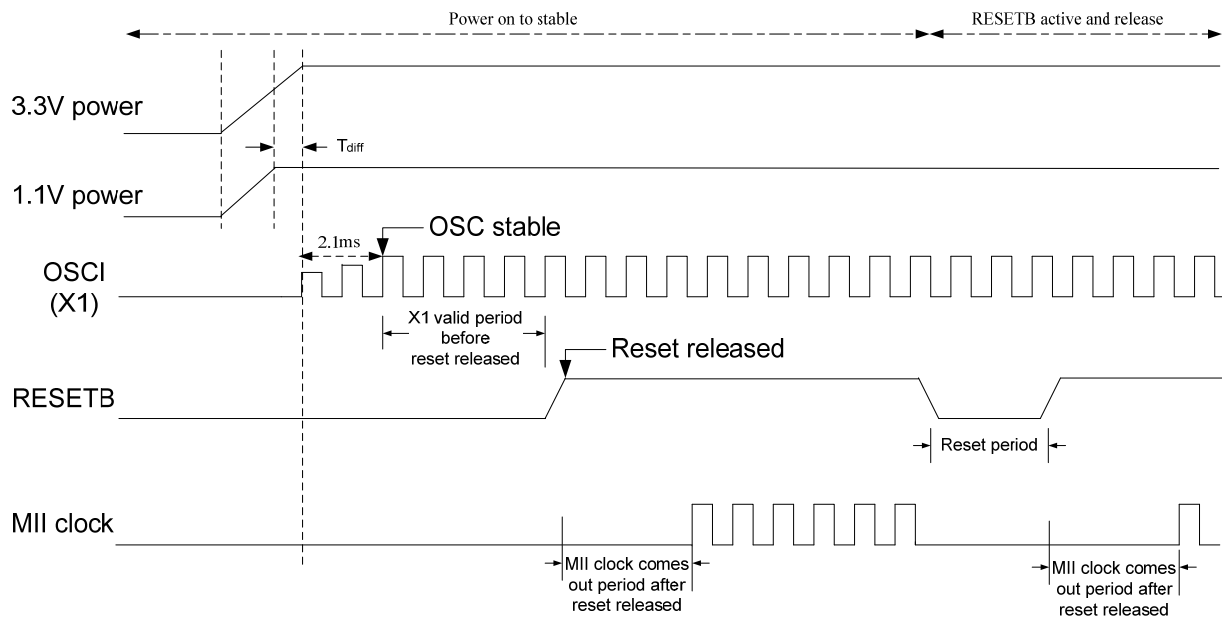
MDC/MDIO Electrical Characteristics

Parameter	Sym	Min.	Max.	Unit	Conditions
Input Low Voltage PVDD_RGSMI=2.5V PVDD_RGSMI=3.3V	V _{IL}		1.00 1.32	V	
Input High Voltage PVDD_RGSMI=2.5V PVDD_RGSMI=3.3V	V _{IH}	1.50 1.98		V	

8.3 AC Timing

8.3.1 Power On Sequence and Reset Timing

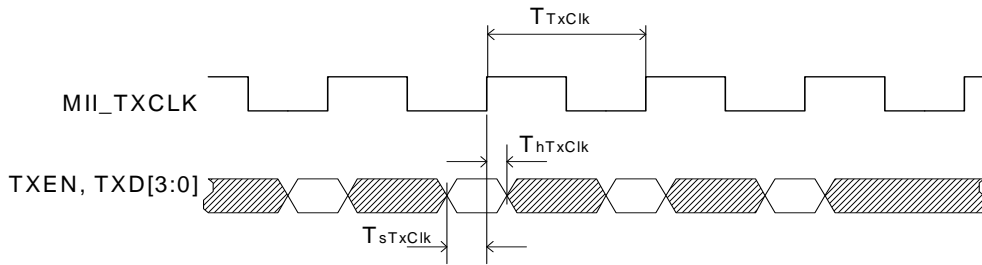
Description	Min.	Typ.	Max.	Unit
X1 valid period before reset released	10	-	-	ms
Reset period	10	-	-	ms
All power source ready before reset released	10	-	-	ms
Time difference between VCC3.3 and VCC1.1 (T_{diff})	-2	-	-	ms
MII clock comes out period after reset released	-	1	-	μ s



8.3.2 PHY Mode MII Timing

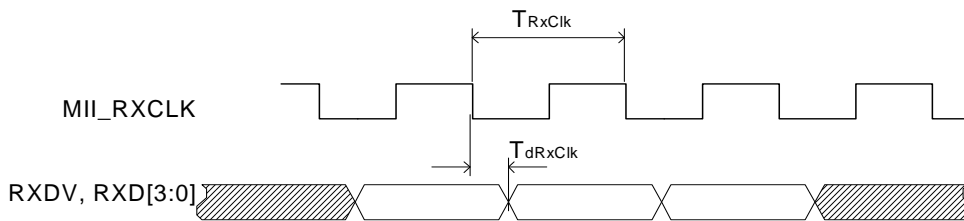
a. Receive Timing Requirements

Symbol	Description	Min.	Typ.	Max.	Unit
T_{TxClk}	Transmit clock period 100M MII	-	40	-	ns
T_{TxClk}	Transmit clock period 10M MII	-	400	-	ns
T_{sTxClk}	TXEN, TXD to MII_TXCLK setup time	10	-	-	ns
T_{hTxClk}	TXEN, TXD to MII_TXCLK hold time	10	-	-	ns



b. Transmit Timing Requirements

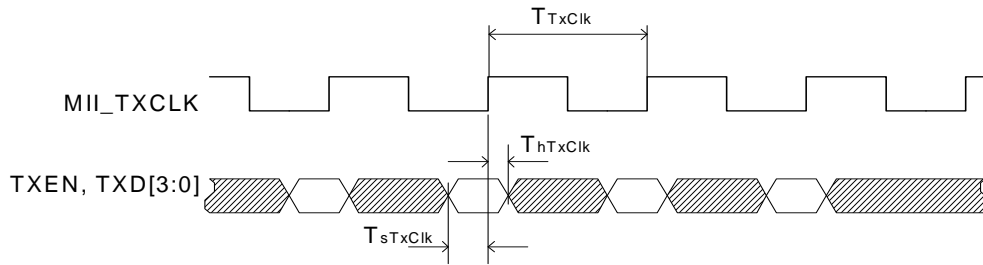
Symbol	Description	Min.	Typ.	Max.	Unit
T_{RxClk}	Receive clock period 100M MII	-	40	-	ns
T_{RxClk}	Receive clock period 10M MII	-	400	-	ns
T_{dRxClk}	MII_RXCLK falling edge to RXDV, RXD	0	-	25	ns



8.3.3 MAC Mode MII Timing

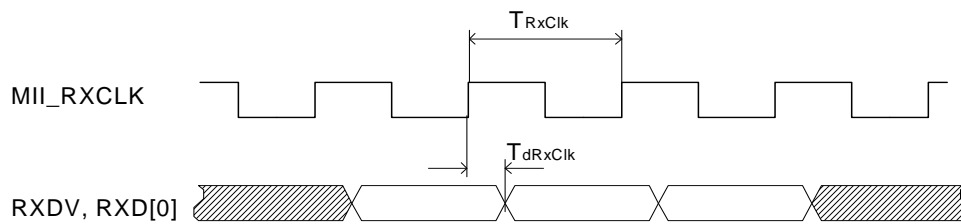
a. Receive Timing Requirements

Symbol	Description	Min.	Typ.	Max.	Unit
T_{TxClk}	Transmit clock period 100M MII	-	40	-	ns
T_{TxClk}	Transmit clock period 10M MII	-	400	-	ns
T_{sTxClk}	TXEN, TXD to MII_TXCLK setup time	10	-	-	ns
T_{hTxClk}	TXEN, TXD to MII_TXCLK hold time	10	-	-	ns



b. Transmit Timing Requirements

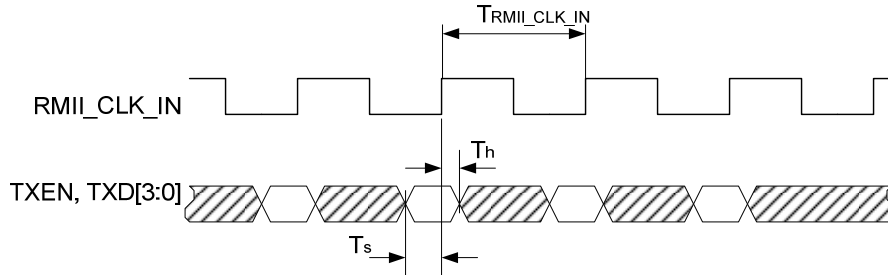
Symbol	Description	Min.	Typ.	Max.	Unit
T_{RxClk}	Receive clock period 100M MII	-	40	-	ns
T_{RxClk}	Receive clock period 10M MII	-	400	-	ns
T_{dRxClk}	MII_RXCLK rising edge to RXDV, RXD	0	-	25	ns



8.3.4 RMIi Timing

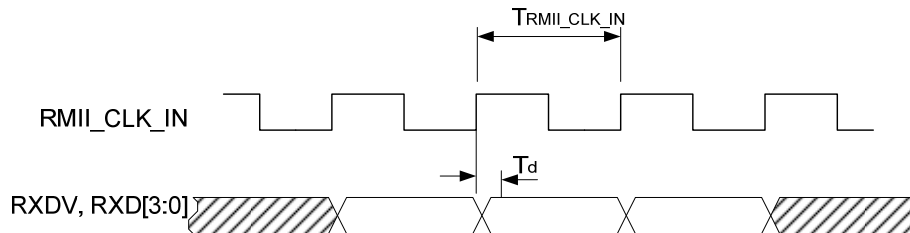
a. Receive Timing Requirements

Symbol	Description	Min.	Typ.	Max.	Unit
$T_{\text{RMII_CLK_IN}}$	Receive clock period	-	20	-	ns
T_s	TXEN, TXD to RMII_CLK_IN setup time	4	-	-	ns
T_h	TXEN, TXD to RMII_CLK_IN hold time	2	-	-	ns



b. Transmit Timing

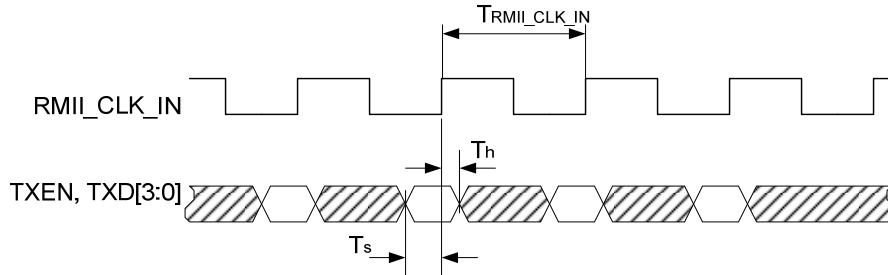
Symbol	Description	Min.	Typ.	Max.	Unit
$T_{\text{RMII_CLK_IN}}$	Transmit clock period	-	20	-	ns
T_d	RMII_CLK_IN rising edge to RXDV, RXD	4.5	-	10	ns



8.3.5 Single PHY RMII Timing

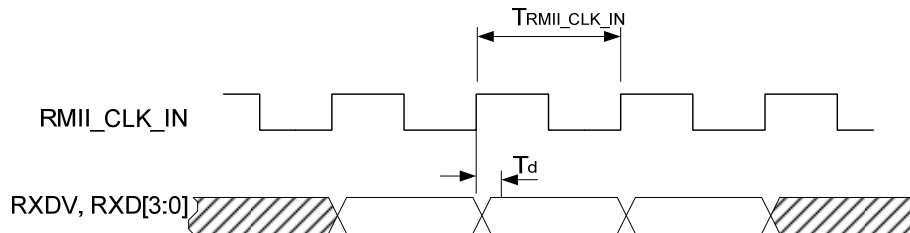
a. Receive Timing Requirements

Symbol	Description	Min.	Typ.	Max.	Unit
$T_{\text{RMII_CLK_IN}}$	Receive clock period	-	20	-	ns
T_s	TXEN, TXD to RMII_CLK_IN setup time	4	-	-	ns
T_h	TXEN, TXD to RMII_CLK_IN hold time	2	-	-	ns



b. Transmit Timing Requirements

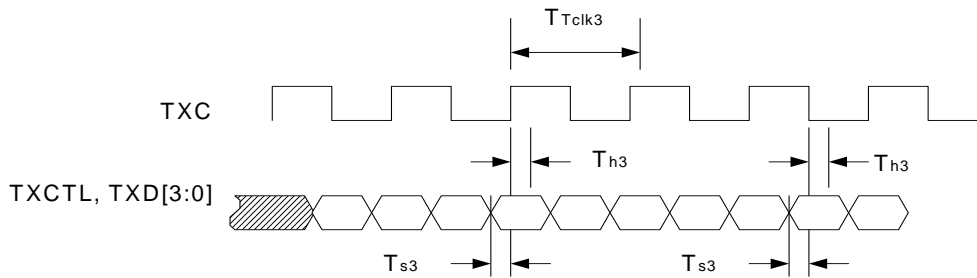
Symbol	Description	Min.	Typ.	Max.	Unit
$T_{\text{RMII_CLK_IN}}$	Transmit clock period	-	20	-	ns
T_d	RMII_CLK_IN rising edge to RXDV, RXD	3	-	7	ns



8.3.6 RGMII Timing

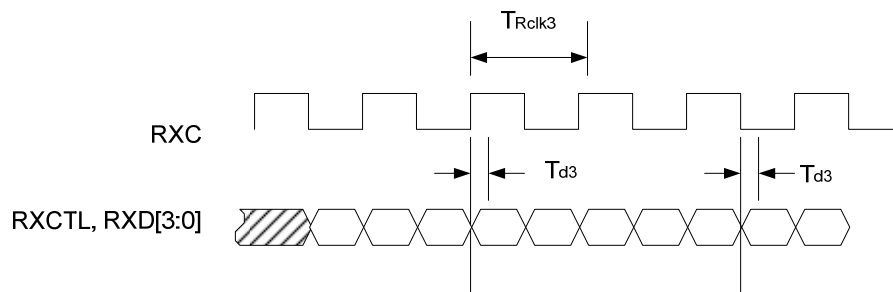
c. Receive Timing Requirements

Symbol	Description	Min.	Typ.	Max.	Unit
T_{Tclk3}	Period of transmit clock in Giga mode	-	8	-	ns
T_{Tclk3}	Period of transmit clock in 100M mode	-	40	-	ns
T_{Tclk3}	Period of transmit clock in 10M mode	-	400	-	
T_{s3}	TXEN, TXD to TXC setup time	1	-	-	
T_{h3}	TXEN, TXD to TXC hold time	0.5	-	-	ns



d. Transmit Timing Requirements

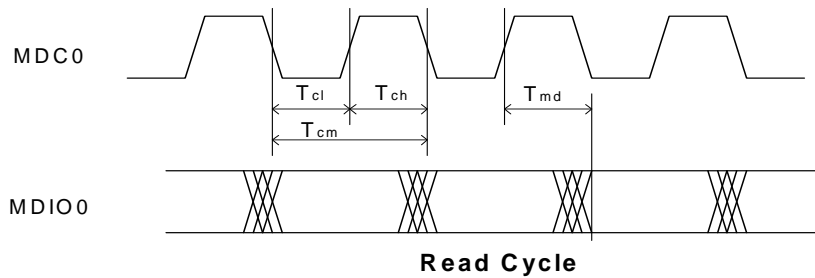
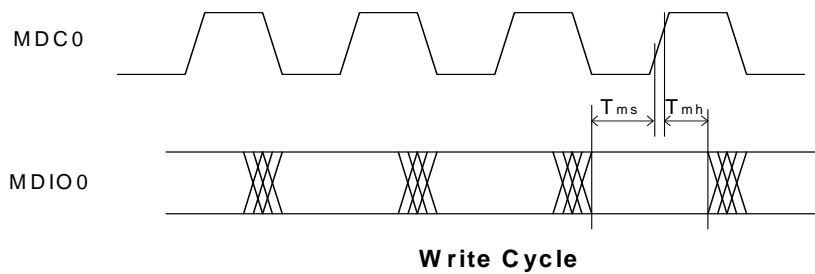
Symbol	Description	Min.	Typ.	Max.	Unit
T_{Rclk3}	Period of receive clock in Giga mode	-	8	-	ns
T_{Rclk3}	Period of receive clock in 100M mode	-	40	-	
T_{Rclk3}	Period of receive clock in 10M mode	-	400	-	
T_{d3}	RXC edge to RXCTL, RXD	-0.5	0	0.5	ns



8.3.7 SMI Timing

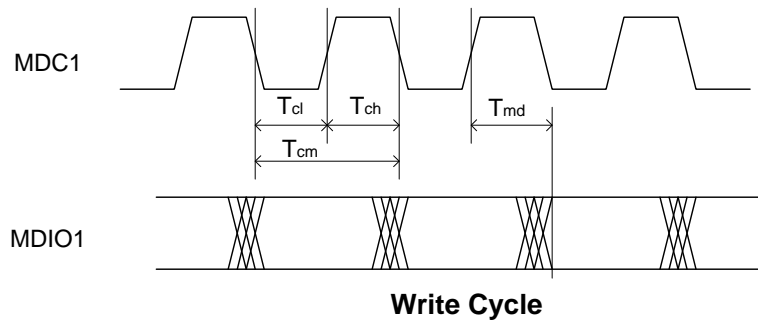
a. MDC/MDIO Timing Requirements

Symbol	Description	Min.	Typ.	Max.	Unit
T_{ch}	MDC High Time	-	200	-	ns
T_{cl}	MDC Low Time	-	200	-	ns
T_{cm}	MDC period	-	400	-	ns
T_{md}	MDIO output delay	13	-	31	ns
T_{ms}	MDIO setup time	10	-	-	ns
T_{mh}	MDIO hold time	10	-	-	ns



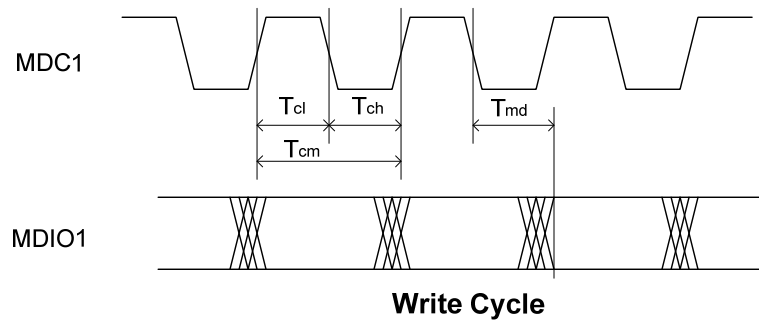
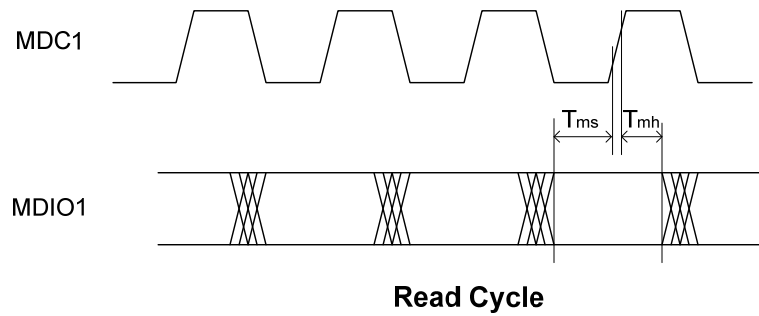
b. MDC1/ MDIO1 Timing Requirements - Access MDC1/MDIO1 via EEPROM

Symbol	Description	Min.	Typ.	Max.	Unit
T_{ch}	MDC1 High Time	-	160	-	ns
T_{cl}	MDC1 Low Time	-	160	-	ns
T_{cm}	MDC1 period	-	320	-	ns
T_{md}	MDIO1 output delay	10	-	40	ns



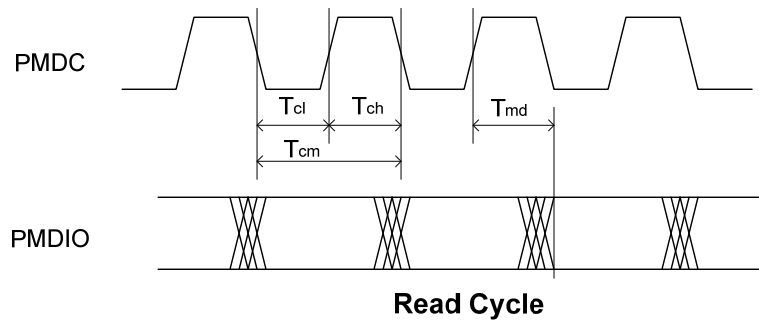
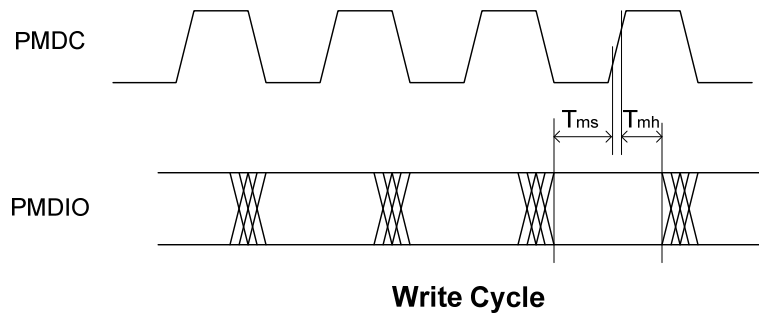
c. MDC1/ MDIO1 Timing Requirements - MDC1/MDIO1 Polling External PHY

Symbol	Description	Min.	Typ.	Max.	Unit
T_{ch}	MDC1 High Time	-	200	-	ns
T_{cl}	MDC1 Low Time	-	200	-	ns
T_{cm}	MDC1 period	-	400	-	ns
T_{md}	MDC1 falling edge to MDIO1 output delay	0.5	-	2	ns
T_{mh}	MDIO1 setup time	10	-	-	ns
T_{ms}	MDIO1 hold time	10	-	-	ns



d. PMDC/PMDIO Timing Requirements

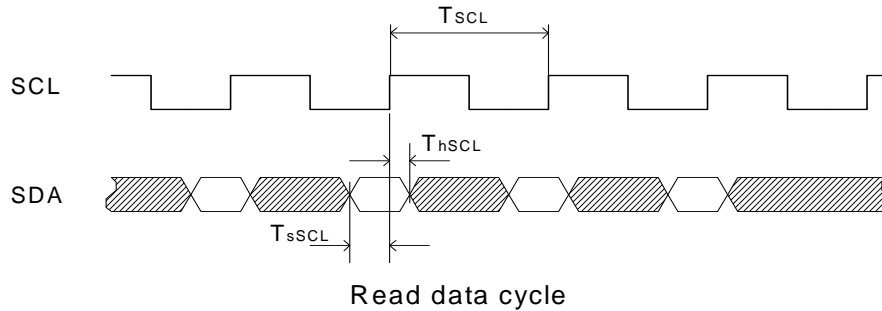
Symbol	Description	Min.	Typ.	Max.	Unit
T_{ch}	PMDC High Time	200	-	-	ns
T_{cl}	PMDC Low Time	200	-	-	ns
T_{cm}	PMDC period	400	-	-	ns
T_{md}	PMDIO output delay	1.5	-	3	ns
T_{ms}	PMDIO setup time	10	-	-	ns
T_{mh}	PMDIO hold time	10	-	-	ns



8.3.8 EEPROM Timing

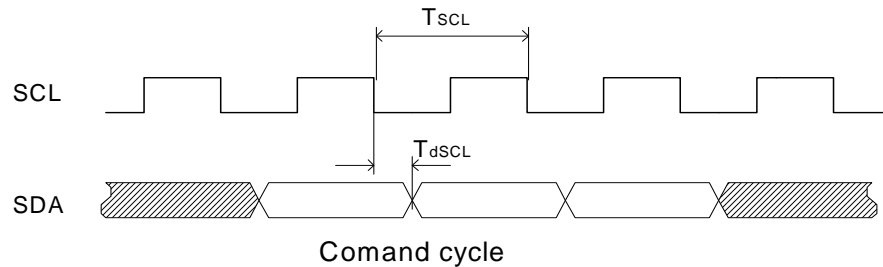
a.

Symbol	Description	Min.	Typ.	Max.	Unit
T_{SCL}	Receive clock period	-	10240	-	ns
T_{sSCL}	SDA to SCL setup time	2	-	-	ns
T_{hSCL}	SDA to SCL hold time	0.5	-	-	ns



b.

Symbol	Description	Min.	Typ.	Max.	Unit
T_{SCL}	Transmit clock period	-	10240	-	ns
T_{dSCL}	SCL falling edge to SDA	-	-	2600	ns



8.4 Thermal Data

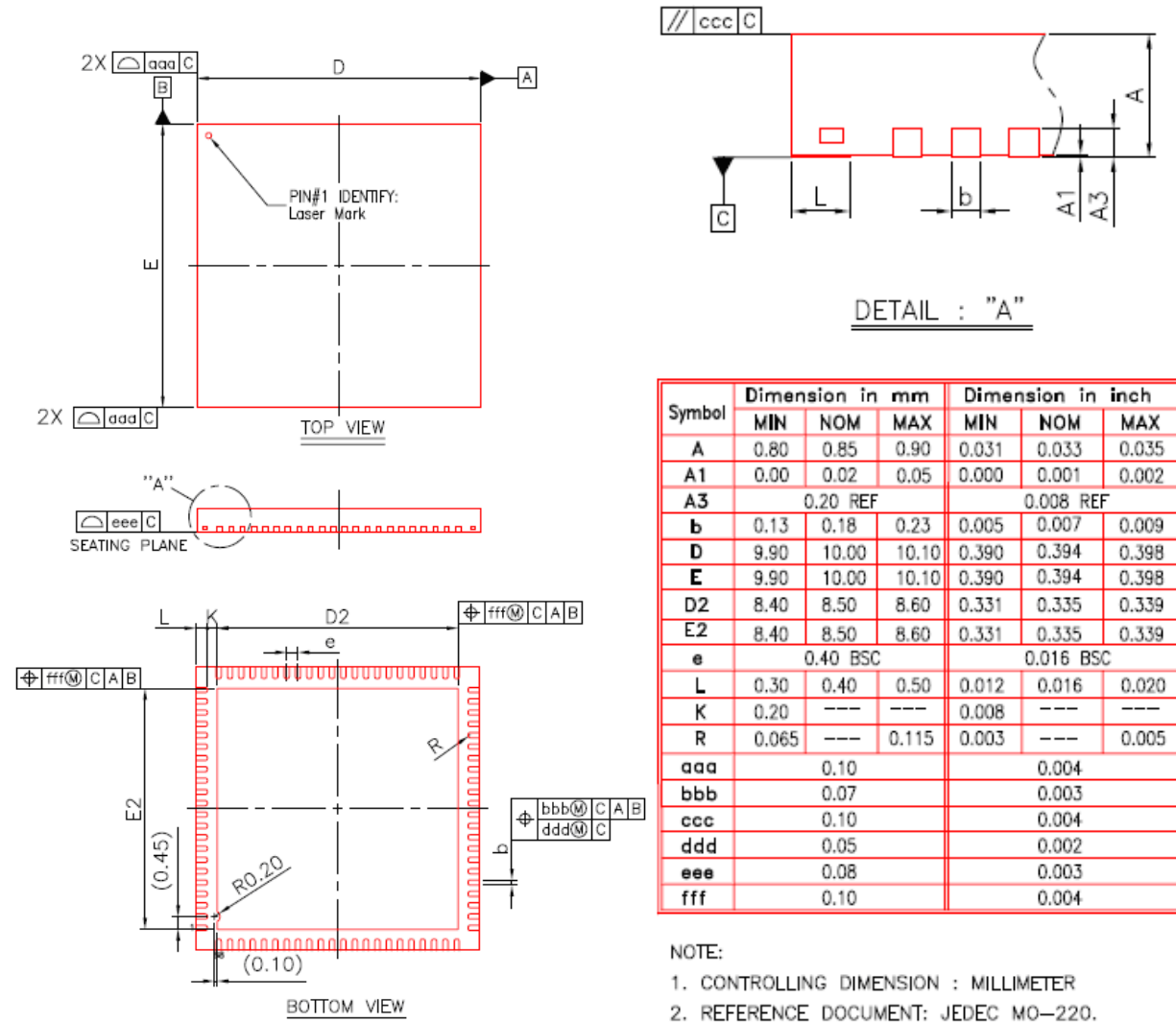
Part No.	Theta Ja	Theta Jc	Conditions	Units
IP179N	51.3	10.0	2 Layer PCB	°C/W
IP179N	20.0	8.7	4 Layer PCB	°C/W
IP179H	57.2	17.4	2 Layer PCB	°C/W
IP179H	23.8	12.5	4 Layer PCB	°C/W

9 Order Information

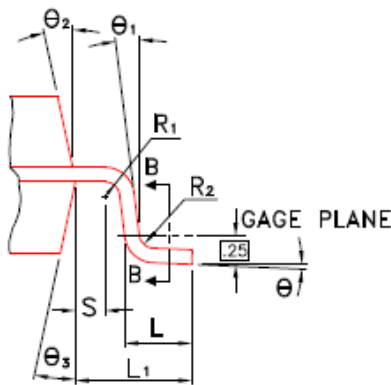
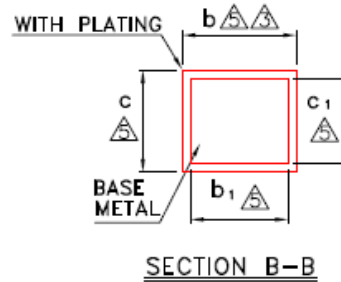
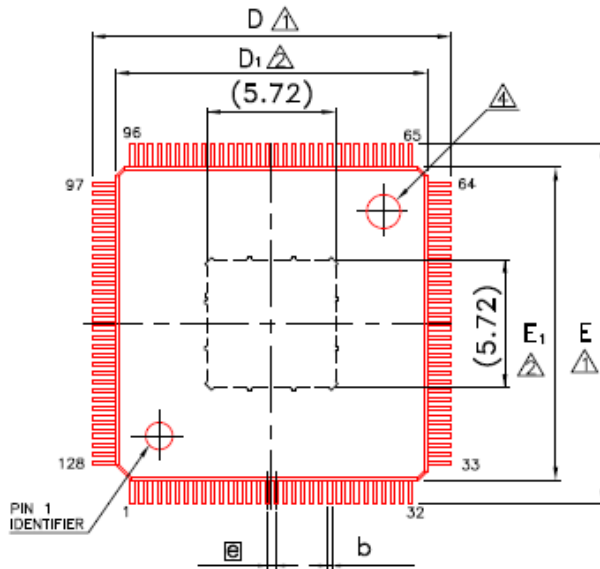
Part No.	Package	Notice
IP179N	88-PIN MQFN	0°C to 70°C
IP179NI	88-PIN MQFN	-40°C to 85°C
IP179H	128-PIN LQFP	0°C to 70°C
IP179HI	128-PIN LQFP	-40°C to 85°C

10 Package Detail

MQFN88 Outline Dimensions



LQFP128 Outline Dimensions



DETAIL "A"

Symbol	Dimension in mm			Dimension in inch		
	Min	Nom	Max	Min	Nom	Max
A	—	—	1.60	—	—	0.063
A ₁	0.05	—	0.15	0.002	—	0.006
A ₂	1.35	1.40	1.45	0.053	0.055	0.057
b	0.13	0.18	0.23	0.005	0.007	0.009
b ₁	0.13	0.16	0.19	0.005	0.006	0.007
c	0.09	—	0.20	0.004	—	0.008
c ₁	0.09	—	0.16	0.004	—	0.006
D	15.85	16.00	16.15	0.624	0.630	0.636
D ₁	13.90	14.00	14.10	0.547	0.551	0.555
E	15.85	16.00	16.15	0.624	0.630	0.636
E ₁	13.90	14.00	14.10	0.547	0.551	0.555
ⓐ	0.40 BSC			0.016 BSC		
L	0.45	0.60	0.75	0.018	0.024	0.030
L ₁	1.00 REF			0.039 REF		
R ₁	0.08	—	—	0.003	—	—
R ₂	0.08	—	0.20	0.003	—	0.008
S	0.20	—	—	0.008	—	—
θ	0°	3.5°	7°	0°	3.5°	7°
θ ₁	0°	—	—	0°	—	—
θ ₂	11°	12°	13°	11°	12°	13°
θ ₃	11°	12°	13°	11°	12°	13°
ccc	0.08			0.003		

IC Plus Corp.

Headquarters

10F., No.47, Ln. 2, Sec. 2, Guangfu Rd.,
East Dist., Hsinchu City 30071, Taiwan (R.O.C.)
TEL : 886-3-575-0275 FAX : 886-3-575-0475
Website: www.icplus.com.tw

Sales Office

4F., No.106, Sec. 1, Xintai 5th Rd.,
Xizhi Dist., New Taipei City 22102, Taiwan (R.O.C.)
TEL : 886-2-2696-1669 FAX : 886-2-2696-2220